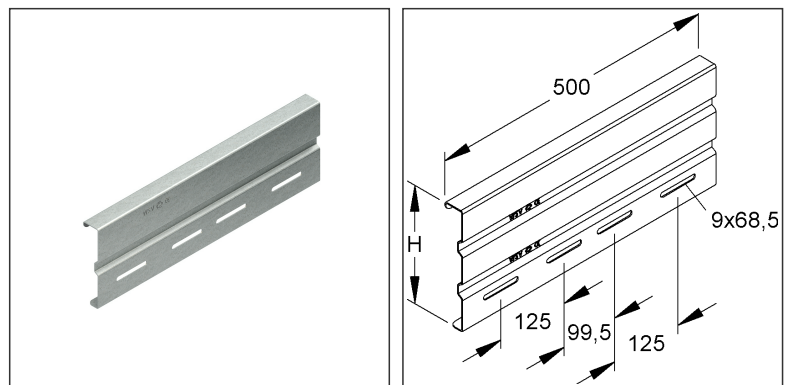
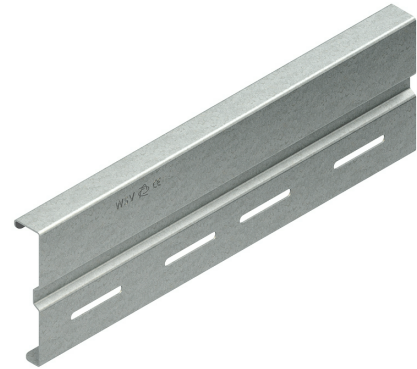


Splice Plate

WSV 200.500 F

EAN Code: 4013339594207
 Smallest packaging unit: 10 pcs.

the photorealistic images are to be considered as reference images



Article Description

Splice plate, 201,5x500 mm, steel, hot dip galvanised DIN EN ISO 1461, incl. accessories

Incl. accessories

4 FLM 8X13 F

Additional Price Information

Article group	N13
quantity unit	pcs.

Weight

Weight per quantity unit	2,506 kg/ pcs.
Weight in kg per 100	251 kg/ 100pcs.

Technical Datasheet

Long Span Cable Tray

WSV 200.500 F

the photorealistic images are to be considered as reference images

Physical Article Dimensions

Height	205.50 mm
Width	35.00 mm
Depth/length	500 mm

Packing Dimension

10 pieces = 1 carton		✓ VP1-smallest packaging unit (PU)		✓ VP1-preferred PU	
Lenght	550 mm	Width	185.00 mm	Height	140.00 mm
Gross weight	25 kg	Volume	0,014 m ³		
Min. quantity	10.00 pcs.	Max. Quantity	10.00 pcs.		

320 pieces = 1 pallet					
Lenght	1200 mm	Width	800 mm	Height	1000 mm
Gross weight	817 kg	Volume	0,960 m ³		
Min. Quantity	320.00 pcs.	Max. Quantity	320.00 pcs.		

Tender Text

Splice plate, to create a form-fitting, longitudinally aligned connection, including proportional fastening accessories in hot-dip galvanised. The equipotential bonding is achieved by screwing to the wide span cable trays/ladder beams as well as to the fitting beams.

Used for : wide span cable trays/ladders and their fittings with 200 mm edge height

Requirement : 2 pieces per joint

Dimensions (approx. dimensions)

Height H (clear internal dimension) x width W : 201.5 x 500 mm

Material : steel, hot-dip galvanised acc. to DIN EN ISO 1461

NIEDAX Model No. : WSV 200.500 F

EP Material _____ EP Wage _____

Unit price/piece

Safety & Environment

REACH Date	25.06.2025
REACH Info	Conformable
RoHS Info	Conformable

Origin & International Trade

Country of origin	DE
Customs tariff number	73089059