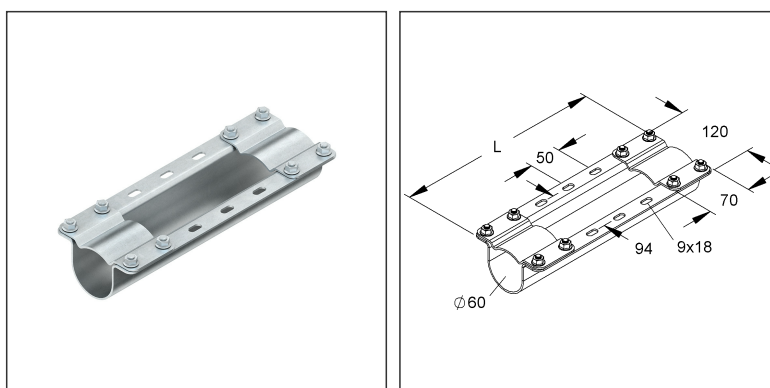
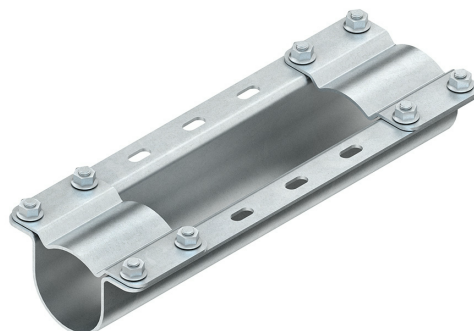


Mounting Support

MIMTA 60/325 F

EAN Code: 4013339907601
 Smallest packaging unit: 1 pc.

the photorealistic images are to be considered as reference images



Article Description

Mounting support, Ø 60 mm, length 325 mm, steel, hot dip galvanised DIN EN ISO 1461

Additional Price Information

Article group	N13
quantity unit	pcs.

Weight

Weight per quantity unit	1,932 kg / pcs.
Weight in kg per 100	193 kg / 100pcs.

Physical Article Dimensions

Height	65.50 mm
Width	120.00 mm
Depth/length	325 mm

Technical Datasheet

Machine installation conduit

MIMTA 60/325 F

the photorealistic images are to be considered as reference images

Packing Dimension

1 piece = 1 piece		✓ VP1-smallest packaging unit (PU)			
Lenght	325 mm	Width	120.00 mm	Height	66.00 mm
Gross weight	1,93 kg	Volume	0,003 m ³		
Min. quantity	1.00 pcs.	Max. Quantity	1.00 pcs.		

Tender Text

Mounting support, mounting support bottom part with two clamping pieces including round-head screws, the machine installation conduits are fixed by clamping the clamping pieces, slotted holes in the flanges of the bottom part allow flexible clamping options.

Used for : machine installation conduit MI 60...

machine installation conduit MIG 60...

machine installation conduit connection MIA 60...

Dimensions (approx. dimensions)

Length L x width W : 325 x 120 mm

for conduit-Ø : 60 mm

slotted hole : 9 x 18 mm

centre distance : 50 mm

Material : steel, hot-dip galvanised acc. to DIN EN ISO 1461

NIEDAX Model-No. : MIMTA 60/325 F

EP Material _____ EP Lohn _____

Unit price/piece

Safety & Environment

REACH Date	25.06.2025
REACH Info	Conformable
RoHS Info	Conformable

Origin & International Trade

Country of origin	DE
Customs tariff number	73079210