

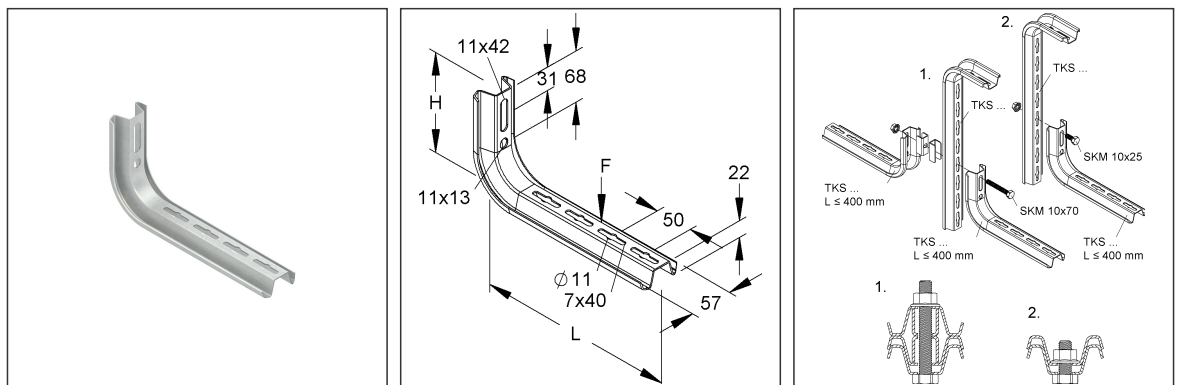
Bracket/Overhead Hanger

TKS 300 F

EAN Code: 4013339815586

Smallest packaging unit: 1 pc.

the photorealistic images are to be considered as reference images



Article Description

Bracket/overhead hanger, 132x363 mm, steel, hot dip galvanised DIN EN ISO 1461, incl. accessories

Incl. accessories

1 piece = 1 piece lowest delivery unit preferred delivery unit

Model No.	Description	quantity
FLM 6X12 F	Mushroom-head bolt M6, similar DIN 603, length 12 mm, steel, hot dip galvanised DIN EN ISO 1461	2 pcs.

Additional Price Information

Article group	N13
quantity unit	pcs.

Weight

Weight per quantity unit	642 g / pcs.
Weight in kg per 100	64 kg / 100pcs.

Technical Datasheet

Supporting structure

TKS 300 F

the photorealistic images are to be considered as reference images

Physical Article Dimensions

Height	132.00 mm
Width	57.00 mm
Depth/length	363 mm

Packing Dimension

1 piece = 1 piece		✓ VP1-smallest packaging unit (PU)	✓ VP1-preferred PU		
Lenght	363 mm	Width	57.00 mm	Height	132.00 mm
Gross weight	0,64 kg	Volume	0,003 m ³		
Min. quantity	1.00 pcs.	Max. Quantity	1.00 pcs.		

Tender Text

Bracket/ overhead hanger, for wall and overhead hanger mounting on walls and horizontal ceilings, including proportional fastening accessories in hot-dip galvanised. For structural reasons, it is necessary to install the distance piece TKSD 20 F for wall and ceiling mounting in order to avoid deformation of the trapezoidal profile when tightening the fastening screw. Please order fastening screw SKM 10x25 E3 to DIN EN ISO 4017 separately. The distance piece TKSD 20 F is also required for overhead hanger mounting with bracket on both sides. Please order fastening screw SKM 10x70 E3 to DIN EN ISO 4017 separately. The load-bearing capacity data only apply if there is sufficient anchoring to the load-bearing substrate or if the installation on suspended standards is in accordance with the regulations. Please observe additional regulations for use in functional maintenance!

Dimensions (approx. dimensions) H x W x L : 132 x 57 x 363 mm

Load capacity F at L/2 : 0.75 kN tested in the system

Material : steel, hot-dip galvanised acc. to DIN EN ISO 1461

NIEDAX Model No. : TKS 300 F

EP Material _____ EP Wage _____

Unit price/piece

Safety & Environment

REACH Date	25.06.2025
REACH Info	Conformable
RoHS Info	Conformable

Origin & International Trade

Country of origin	DE
Customs tariff number	73089059