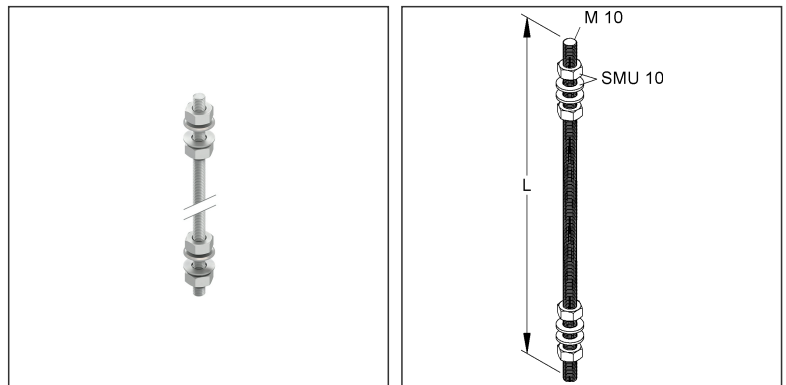


### Threaded Rod, M10

M 10/2000

EAN Code: 4013339203406  
 Smallest packaging unit: 10 pcs.

the photorealistic images are to be considered as reference images



### Article Description

Threaded rod M10, length 2000 mm, steel,gal.acc. DIN EN ISO 2081/4042,blue passivated,incl. accessories

### Incl. accessories

1 piece = 1 piece		- lowest delivery unit	- preferred delivery unit
Model No.	Description		quantity
1-SMU 10	Hexagon nut M10 acc. to DIN EN ISO 4032, steel, electro galvanised according to DIN EN ISO 2081/4042, blue pass		4 pcs.
<b>10 piece = 1 bundle</b>		✓ lowest delivery unit	✓ preferred delivery unit
Model No.	Description		quantity
SMU 10	Hexagon nut M10 acc. to DIN EN ISO 4032, steel, electro galvanised according to DIN EN ISO 2081/4042, blue pass		40 pcs.

### Additional Price Information

Article group	N13
quantity unit	pcs.

# Technical Datasheet

## Supporting structure

M 10/2000

the photorealistic images are to be considered as reference images

### Weight

Weight per quantity unit	1,062 kg/ pcs.
Weight in kg per 100	106 kg / 100pcs.

### Physical Article Dimensions

Height	10.00 mm
Width	10.00 mm
Depth/length	2000 mm
Diameter	10.00 mm

### Packing Dimension

<b>10 pieces = 1 bundle</b>		✓ VP1-smallest packaging unit ( PU)		✓ VP1-preferred PU	
Lenght	2000 mm	Width	45.00 mm	Height	45.00 mm
Gross weight	11 kg	Volume	0,004 m <sup>3</sup>		
Min. quantity	10.00 pcs.	Max. Quantity	10.00 pcs.		

### Tender Text

Threaded rod M 10, including four hexagon nuts and washers each.  
Dimensions (approx. dimensions)  
Thread : M 10  
Length L : 2000 mm  
Strength class : 4.8  
Material : steel, galvanised acc. to DIN EN ISO 4042 / DIN EN ISO 19598, blue passivated  
NIEDAX Model No. : M 10/2000  
EP Material\_\_\_\_\_ EP Wage\_\_\_\_\_  
Unit price/piece

### Safety & Environment

REACH Date	25.06.2025
REACH Info	Conformable
RoHS Info	Conformable

### Origin & International Trade

Country of origin	CN
Customs tariff number	73181548