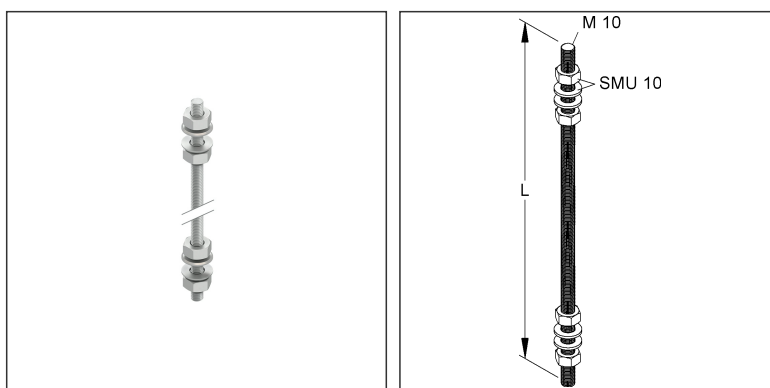


Threaded Rod, M10

M 10/800

EAN Code: 4013339203000
 Smallest packaging unit: 25 pcs.

the photorealistic images are to be considered as reference images



Article Description

Threaded rod M10, length 800 mm, steel, gal. acc. DIN EN ISO 2081/4042, blue passivated, incl. accessories

Incl. accessories

1 piece = 1 piece		- lowest delivery unit	- preferred delivery unit
Model No.	Description	quantity	
1-SMU 10	Hexagon nut M10 acc. to DIN EN ISO 4032, steel, electro galvanised according to DIN EN ISO 2081/4042, blue pass	4 pcs.	
25 piece = 1 bundle		✓ lowest delivery unit	✓ preferred delivery unit
Model No.	Description	quantity	
SMU 10	Hexagon nut M10 acc. to DIN EN ISO 4032, steel, electro galvanised according to DIN EN ISO 2081/4042, blue pass	100 pcs.	

Additional Price Information

Article group	N13
quantity unit	pcs.

Technical Datasheet

Supporting structure

M 10/800

the photorealistic images are to be considered as reference images

Weight

Weight per quantity unit	461 g / pcs.
Weight in kg per 100	46 kg / 100pcs.

Physical Article Dimensions

Height	10.00 mm
Width	10.00 mm
Depth/length	800 mm
Diameter	10.00 mm

Packing Dimension

25 pieces = 1 bundle		✓ VP1-smallest packaging unit (PU)		✓ VP1-preferred PU	
Lenght	800 mm	Width	45.00 mm	Height	45.00 mm
Gross weight	12 kg	Volume	0,002 m ³		
Min. quantity	25.00 pcs.	Max. Quantity	25.00 pcs.		

Tender Text

Threaded rod M 10, including four hexagon nuts and washers each. Please observe additional regulations for use in functional maintenance!
Dimensions (approx. dimensions)
Thread : M 10
Length L : 800 mm
Strength class : 4.8
Material : steel, galvanised acc. to DIN EN ISO 4042 / DIN EN ISO 19598, blue passivated
NIEDAX Model No. : M 10/800
EP Material_____ EP Wage_____
Unit price/piece

Safety & Environment

REACH Date	25.06.2025
REACH Info	Conformable
RoHS Info	Conformable

Origin & International Trade

Country of origin	DE
Customs tariff number	73181542