

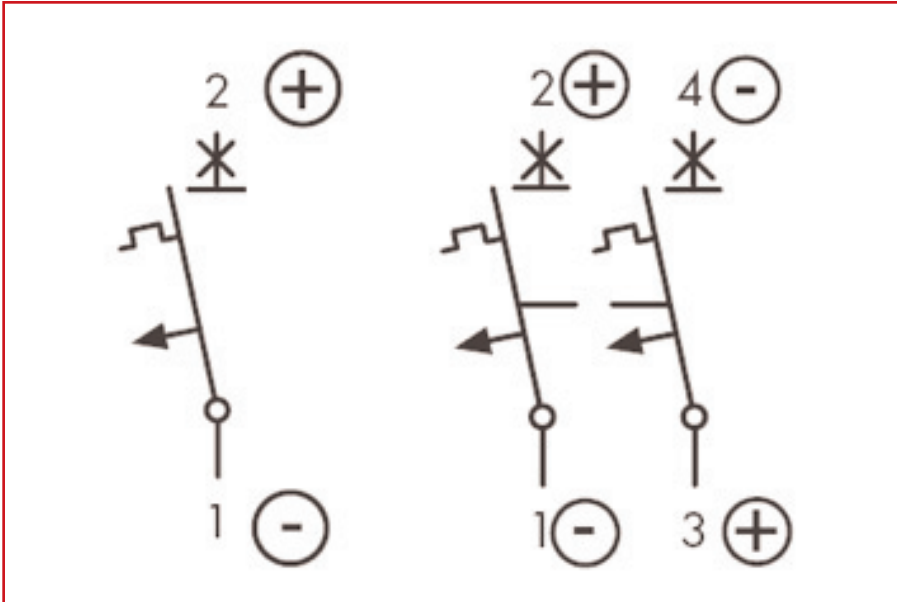
DATA SHEET: BM015 DC MINIATURE CIRCUIT BREAKER



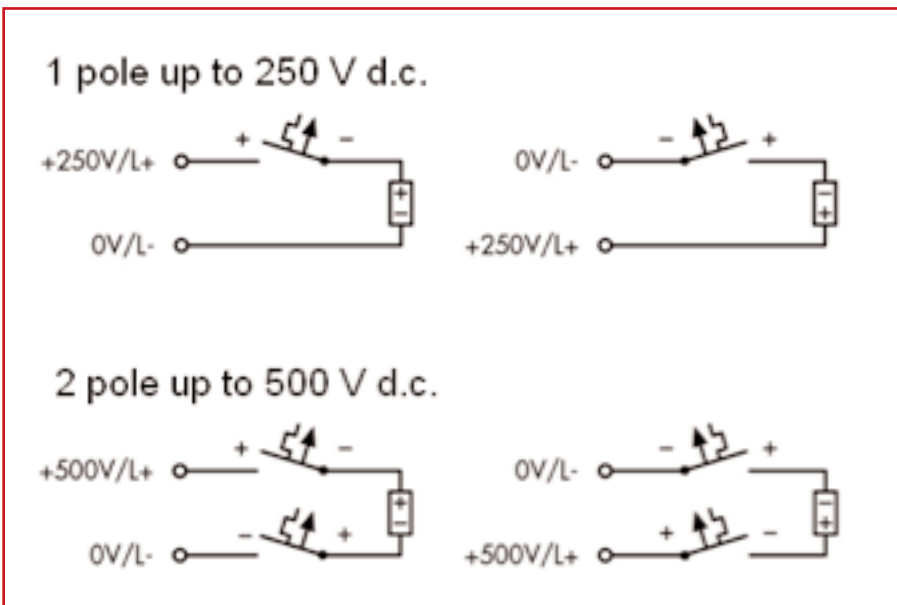
TECHNICAL DATA

| | | |
|----------------------------------------------|--------------------------------------------------------------|-------------------|
| Productstandard: | IEC/EN 60 947-2, ÖVE-EN 60 898 (time-current characteristic) | |
| Number of poles: | 1 or 2 | |
| Rated voltage U_n : | 250V-DC (1 pole), 500V-DC (2 pole) | |
| Rated current I_n : | 2A, 3A, 4A, 6A, 10A, 13A, 16A, 20 A, 25A, 32 A, 40A, 50A | |
| Rated insulation voltage U_i : | 500 V-DC | |
| Rated impulse withstand voltage U_{imp} : | 4000 V (1,2 / 50) μ sec | |
| Conventional non-tripping current: | $I_{nt} = 1,13 I_n$ | |
| tripping current: | $I_t = 1,45 I_n$ | |
| Reference temperature: | 30°C | |
| Temperature factor: | 0,5% / K | |
| Instantaneous tripping current I_{mt} : | type C, $7 I_n < I_{mt} \leq 15 I_n$; $t(I_{mt}) < 0,1$ sec | |
| Service short circuit capacity I_{cs} : | 7,5 kA (type C) | |
| Rated short circuit capacity I_{cn} : | 10 kA (type C) | |
| Back up fuse: | max. 100A gG | |
| Selectivity class: | 3 (acc. to IEC/EN 60947) | |
| Number of electrical operating cycles: | > 1.500 | |
| Number of mechanical operating cycles: | > 8.500 | |
| Climatic conditions: | acc. to IEC 68-2 (25...55°C/90...95% RL) | |
| Dimensions (WxHxD): | 1 pole: | 17,7 x 80 x 60 mm |
| | 2 pole: | 35,4 x 80 x 60 mm |
| Frame size: | 45 mm | |
| Weight: | 1 pole: | 0,12kg |
| | 2 pole: | 0,24kg |
| Terminals: | lift terminal | |
| Terminal capacity rigid solid/stranded wire: | 1 - 25 mm ² | |
| Terminal screw: | M5 (with slotted screw acc. to EN/ISO 4757-Z2, Pozidriv PZ2) | |
| Terminal torque: | max. 2,4 Nm | |
| Finger proof: | acc. to VBG4, ÖVE-EN 6 | |
| Degree of protection (DIN VDE 0470): | surface mounted: IP20, built-in behind panel: IP40 | |
| Snap on fixing: | tristable (on DIN rail acc. to EN 50022) | |
| Contact position indicator: | red / green | |

WIRING SYMBOL



WIRING DIAGRAM



| AMPERE | TYPE | ORDER NO. |
|---------------|----------------|-----------|
| 1 POLE | | |
| 2 A | BMS0-DC C 2/1 | BM015102 |
| 3 A | BMS0-DC C 3/1 | BM015103 |
| 4 A | BMS0-DC C 4/1 | BM015104 |
| 6 A | BMS0-DC C 6/1 | BM015106 |
| 10 A | BMS0-DC C 10/1 | BM015110 |
| 13 A | BMS0-DC C 13/1 | BM015113 |
| 16 A | BMS0-DC C 16/1 | BM015116 |
| 20 A | BMS0-DC C 20/1 | BM015120 |
| 25 A | BMS0-DC C 25/1 | BM015125 |
| 32 A | BMS0-DC C 32/1 | BM015132 |
| 40 A | BMS0-DC C 40/1 | BM015140 |
| 50 A | BMS0-DC C 50/1 | BM015150 |
| 2 POLE | | |
| 2 A | BMS0-DC C 2/2 | BM015202 |
| 3 A | BMS0-DC C 3/2 | BM015203 |
| 4 A | BMS0-DC C 4/2 | BM015204 |
| 6 A | BMS0-DC C 6/2 | BM015206 |
| 10 A | BMS0-DC C 10/2 | BM015210 |
| 13 A | BMS0-DC C 13/2 | BM015213 |
| 16 A | BMS0-DC C 16/2 | BM015216 |
| 20 A | BMS0-DC C 20/2 | BM015220 |
| 25 A | BMS0-DC C 25/2 | BM015225 |
| 32 A | BMS0-DC C 32/2 | BM015232 |
| 40 A | BMS0-DC C 40/2 | BM015240 |
| 50 A | BMS0-DC C 50/2 | BM015250 |