

DATA SHEET: RESIDUAL CURRENT CIRCUIT BREAKER 25-100A, SERIES BCFO AND BCF6



SCHRACK-INFO

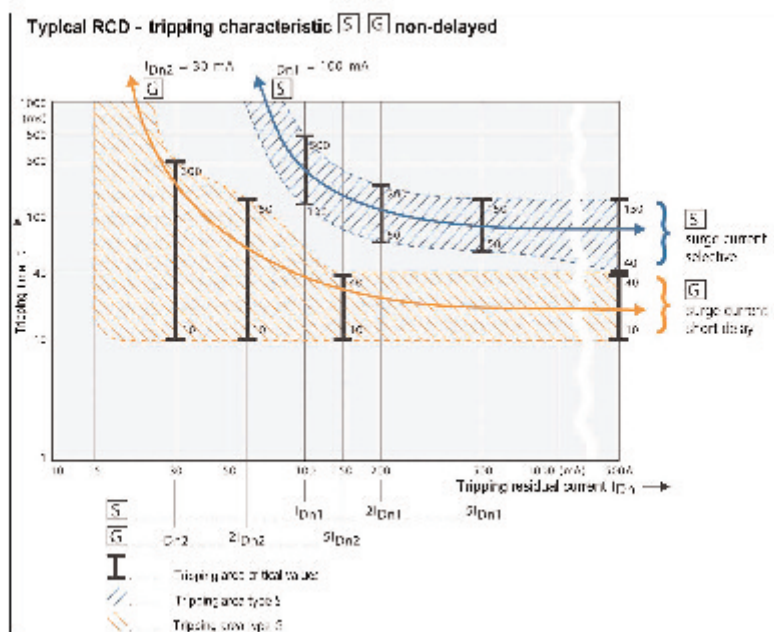
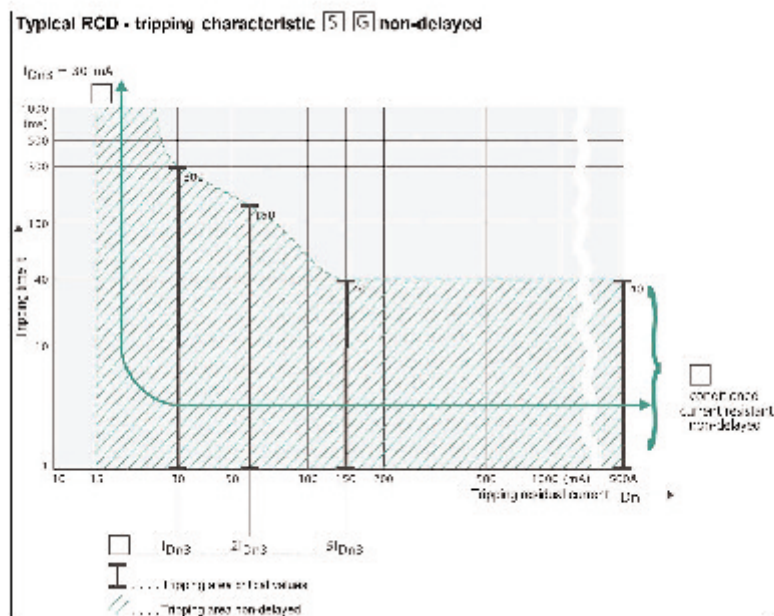
- Any mains connection
- If using 4-pole switches with 3 or 2-poles, ensure connection acc. to assembly instructions
- The test key T is to be operated every month (supplied adhesive instruction plate)

TECHNICAL DATA

Rated voltage:	230/400 V AC 4-pole, 230 V AC 2-pole, 50 Hz	
Certifications:	IEC/EN 61 008, Type G accord. to ÖVE E 8601	
Ambient operating temperature:	-25 °C to +40 °C	
Max. back-up fuse:	as overload protection:	as short circuit protection:
In = 16A	10A gG/gL	63A gG/gL
In = 25-40A	25A gG/gL	63A gG/gL
In = 63A	40A gG/gL	63A gG/gL
In = 80A	50A gG/gL	80A gG/gL
In = 100A	63A gG/gL	100A gG/gL
Short-circuit proofing:	6/10 kA, with back-up fuse 63 A gL, see print	
Rated breaking capacity (I _m):	In = 16A	I _m = 160A
	In = 25A	I _m = 250A
	In = 40A	I _m = 400A
	In = 63A	I _m = 630A
	In = 80A	I _m = 800A
	In = 100A	I _m = 1000A
Terminals:	2/4-pole, open mouthed terminal and lift clamps both sides, 1-35 mm ² single core, 2x16 mm ² multi core	
Finger and hand touch safe :	accord. to VBG 4, ÖVE-EN 6	
Rated residual current:	30 mA, 100 mA, 300 mA (other upon request)	
Service life:	electrical ≥ 4.000 cycles, mechanical ≥ 20.000 cycles	
Prevents nuisance tripping caused by switching electronic light:	Devices (ELD) (up to max. 20 per phase, max. 60 devices per RCBO)	
Special snap-on mounting:	for DIN rails EN 50 022	
Impulse current proof:	>250 A (8/20 s) >3 kA (8/20 s) Typ G >5 kA (8/20 s) Typ S	

Release time:	Non delayed min. 10 ms delay (Type G) min. 40 ms delay (Type S) selective switch-off
Sensitivity:	Sensitive to cycle change
Contact position display (red/green):	for 4-pole version

TRIPPING CHARACTERISTIC



POWER LOSS BCFO AND BCF6

Type	I _n [A]	I _m [mA]	Type	P [W]
BCFO-25/2/..	25	30	AC	1.3
BCFO-25/2/..	25	100,300,500	AC	2.0
BCFO-25/2/..	25	30	A	1.3
BCFO-25/2/..	25	100,300	A	2.0
BCFO-25/2/..	25	30,100	G	1.3
BCFO-40/2/..	40	30	AC	5.8
BCFO-40/2/..	40	100,300,500	AC	5.4
BCFO-40/2/..	40	30	A	5.8
BCFO-40/2/..	40	100,300,500	A	5.4
BCFO-40/2/..	40	30,100	G	5.8
BCFO-40/2/..	40	100	S	5.8
BCFO-40/2/..	40	300	S	5.4
BCFO-63/2/..	63	30	AC	9.7
BCFO-63/2/..	63	100,300,500	AC	7.2
BCFO-63/2/..	63	30	A	9.7
BCFO-63/2/..	63	100,300,500	A	7.2
BCFO-25/4/..	25	30	AC	3.1
BCFO-25/4/..	25	100,300,500	AC	2.8
BCFO-25/4/..	25	30	A	3.1
BCFO-25/4/..	25	100,300,500	A	2.8
BCFO-25/4/..	25	100,300	S	2.8
BCFO-25/4/..	25	100	S/A	2.8
BCFO-40/4/..	40	30	AC	9.6
BCFO-40/4/..	40	100,300,500	AC	8.4
BCFO-40/4/..	40	30	A	9.6
BCFO-40/4/..	40	100,300,500	A	8.4
BCFO-40/4/..	40	30	G	9.6
BCFO-40/4/..	40	100	G	8.4
BCFO-40/4/..	40	30	G/A	9.6
BCFO-40/4/..	40	100,300	S	8.4
BCFO-40/4/..	40	100,300	S/A	8.4
BCFO-63/4/..	63	30	AC	13.4
BCFO-63/4/..	63	100,300,500	AC	10.5
BCFO-63/4/..	63	30,100,300,500	A	10.5
BCFO-63/4/..	63	30	G	13.4
BCFO-63/4/..	63	100	G	10.5
BCFO-63/4/..	63	30	G/A	13.4
BCFO-63/4/..	63	100,300	S	10.5
BCFO-63/4/..	63	100,300	S/A	10.5
BCFO-40/4/..-VF	40	30	AC	5.4
BCFO-40/4/..-VF	40	100	AC	4.2
BCFO-40/4/..-VF	40	30	A	4.2
BCFO-40/4/..-VF	40	30	G	5.4
BCFO-40/4/..-VF	40	30	G/A	5.4
BCFO-40/4/..-VF	40	100,300	S/A	4.2
BCFO-40/4/..-U	40	100,300	U	8.4
BCFO-40/4/..-U/VF	40	100,300	U	4.2
BCFO-40/4/..-U/VF	63	100,300	U	10.5

INFLUENCE OF AMBIENT TEMPERATUR ON THE MAXIMUM PERMISSIBLE CONTINUOUS CURRENT (A)

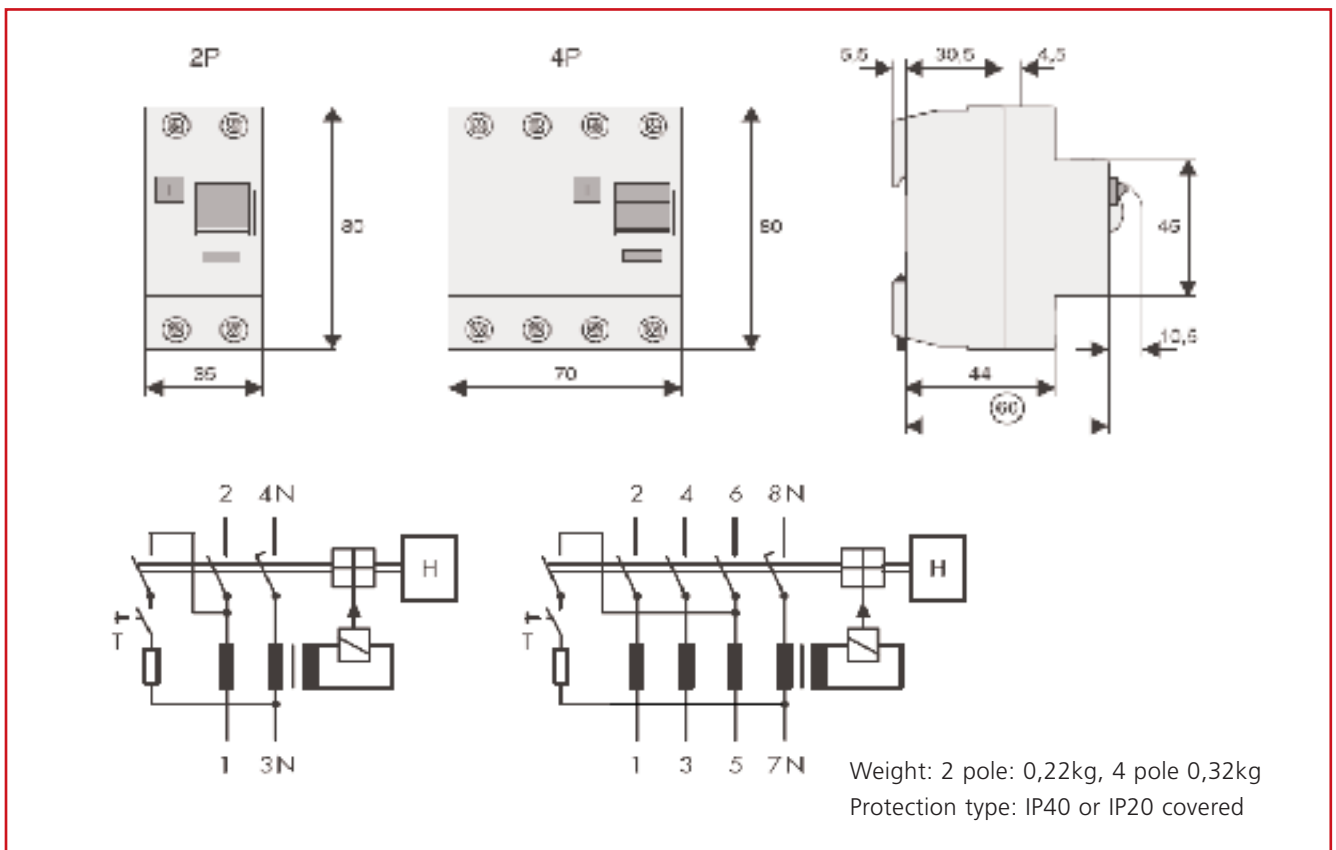
Ambient temperature	Version											
	16A 2-pole	25A 2-pole	25A 4-pole	15A 2-pole	15A 4-pole	63A 2-pole	63A 4-pole	80A 2-pole	80A 4-pole	100A 2-pole	100A 4-pole	
40°	16	25	25	40	40	63	63	80	80	100	100	
45°	14	22	22	37	37	59	59	73	73	95	95	
50°	11	18	18	33	34	55	55	72	72	90	90	
55°	9	14	16	30	31	50	50	63	63	85	85	
60°	-	-	-	28	27	41	41	54	54	80	80	

Note: It is important, that these values are not exceeded. 16A and 25A RCCBs cannot be used at 60°C.

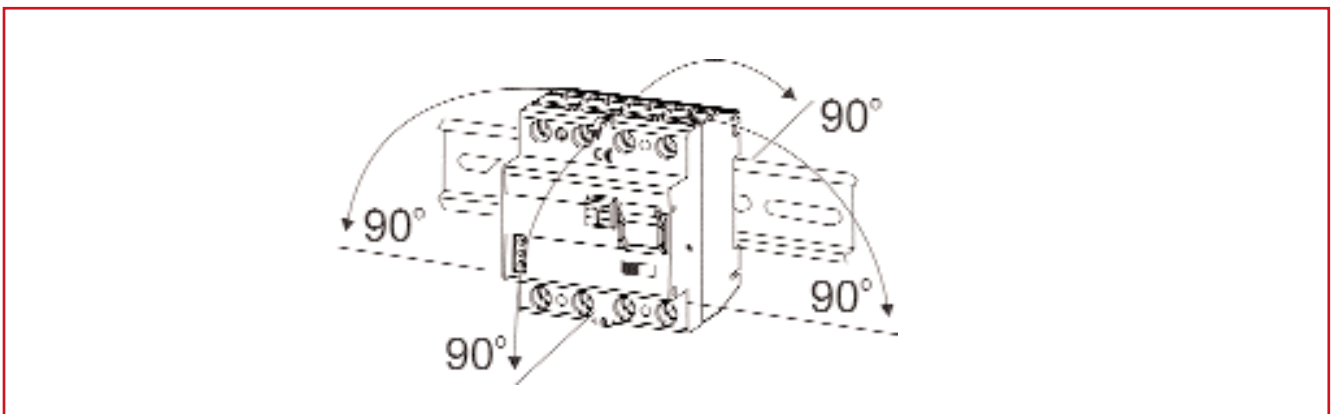
NOTE

Operation of the test key T checks only the functioning of the residual current (RCBO) circuit breaker. This test replaces neither the ground resistance measurement (RE), nor a proper protective conductor status check, which must be carried out separately.

DIMENSIONS AND WIRING DIAGRAMS



INSTALLATION POSITION



RESIDUAL CURRENT CIRCUIT BREAKER SERIES BCF0, 10KA, TYPE A

DESCRIPTION	ORDER NO.
RESIDUAL CURRENT CIRCUIT BREAKER 10KA, TYPE A, 10MA 2-POLE	
RCCB 16A, 2-pole, 10mA, type A (Puls)	BC059201
RESIDUAL CURRENT CIRCUIT BREAKER 10KA, TYPE A, 30MA 2-POLE	
RCCB 25A, 2-pole, 30mA, type A (Puls)	BC052203
RCCB 40A, 2-pole, 30mA, type A (Puls)	BC054203
RCCB 63A, 2-pole, 30mA, type A (Puls)	BC056203
4-POLE	
RCCB 25A, 4-pole, 30mA, type A (Puls)	BC052103
RCCB 40A, 4-pole, 30mA, type A (Puls)	BC054103
RCCB 40A, 4-pole, 30mA, higher back up fuse char. gG, type A (Puls)	BC054403
RCCB 63A, 4-pole, 30mA, type A (Puls)	BC056103
RCCB 63A, 4-pole, 30mA, higher back up fuse char. gG, type A (Puls)	BC056603
RCCB 80A, 4-pole, 30mA, type A (Puls)	BC058103
RCCB 100A, 4-pole, 30mA, type A (Puls)	BC050103
RESIDUAL CURRENT CIRCUIT BREAKER 10KA, TYPE A, 100MA 4-POLE	
RCCB 40A, 4-pole, 100mA, type A (Puls)	BC054110
RCCB 63A, 4-pole, 100mA, type A (Puls)	BC056110
RCCB 100A, 4-pole, 100mA, type A (Puls)	BC050110
RESIDUAL CURRENT CIRCUIT BREAKER 10KA, TYPE A, 300MA 2-POLE	
RCCB 40A, 2-pole, 300mA, type A (Puls)	BC054230
RCCB 63A, 2-pole, 300mA, type A (Puls)	BC056230
4-POLE	
RCCB 40A, 4-pole, 300mA, type A (Puls)	BC054130
RCCB 63A, 4-pole, 300mA, type A (Puls)	BC056130
RCCB 80A, 4-pole, 300mA, type A (Puls)	BC058130
RCCB 100A, 4-pole, 300mA, type A (Puls)	BC050130

RESIDUAL CURRENT CIRCUIT BREAKER SERIES BCF0, 10KA, TYPE AC

DESCRIPTION	ORDER NO.
RESIDUAL CURRENT CIRCUIT BREAKER 10KA, TYPE AC, 30MA	
2-POLE	
RCCB 25 A, 2-pole, 30mA, type AC	BC002203
RCCB 40A, 2-pole, 30mA, type AC	BC004203
RCCB 63A, 2-pole, 30mA, type AC	BC006203
RCCB 80A, 2-pole, 30mA, type AC	BC008203
4-POLE	
RCCB 25 A, 4-pole, 30mA, type AC	BC002103
RCCB 40A, 4-pole, 30mA, type AC	BC004103
RCCB 40A, 4-pole, 30mA, higher back up fuse char. gG, type AC	BC004403
RCCB 63A, 4-pole, 30mA, type AC	BC006103
RCCB 63A, 4-pole, 30mA , higher back up fuse char. gG, type AC	BC006603
RCCB 80A, 4-pole, 30mA, type AC	BC008103
RCCB 100A, 4-pole, 30mA, type AC	BC000103
RESIDUAL CURRENT CIRCUIT BREAKER 10KA, TYPE AC, 100MA	
2-POLE	
RCCB 25 A, 2-pole, 100mA, type AC	BC002210
RCCB 40A, 2-pole, 100mA, type AC	BC004210
4-POLE	
RCCB 25 A, 4-pole, 100mA, type AC	BC002110
RCCB 40A, 4-pole, 100mA, type AC	BC004110
RCCB 40A, 4-pole, 100mA, higher back up fuse char. gG, type AC	BC004410
RCCB 63A, 4-pole, 100mA, type AC	BC006110
RCCB 63A, 4-pole, 100mA, higher back up fuse char. gG, type AC	BC006610
RCCB 80A, 4-pole, 100mA, type AC	BC008110
RCCB 100A, 4-pole, 100mA , type AC	BC000110
RESIDUAL CURRENT CIRCUIT BREAKER 10KA, TYPE AC, 300MA	
2-POLE	
RCCB 25 A, 2-pole, 300mA, type AC	BC002230
RCCB 40A, 2-pole, 300mA, type AC	BC004230
RCCB 63A, 2-pole, 300mA, type AC	BC006230
4-POLE	
RCCB 25 A, 4-pole, 300mA, type AC	BC002130
RCCB 40A, 4-pole, 300mA, type AC	BC004130
RCCB 63A, 4-pole, 300mA, type AC	BC006130
RCCB 80A, 4-pole, 300mA, type AC	BC008130
RCCB 100A, 4-pole, 300mA, type AC	BC000130

RESIDUAL CURRENT CIRCUIT BREAKER SERIES BCF0, 10KA, TYPE AC, MIDDLE EAST VERSION

DESCRIPTION	ORDER NO.
RESIDUAL CURRENT CIRCUIT BREAKER 10KA, TYPE AC, ME, 30MA	
2-POLE	
RCCB 25 A, 2-pole, 30mA, type AC, Mideast	BC002203ME
RCCB 40A, 2-pole, 30mA, type AC Mideast	BC004203ME
RCCB 63A, 2-pole, 30mA, type AC Mideast	BC006203ME
4-POLE	
RCCB 25 A, 4-pole, 30mA, type AC, Mideast	BC002103ME
RCCB 40A, 4-pole, 30mA, type AC, Mideast	BC004103ME
RCCB 63A, 4-pole, 30mA, type AC Mideast	BC006103ME
RESIDUAL CURRENT CIRCUIT BREAKER 10KA, TYPE AC, ME, 100MA	
2-POLE	
RCCB 40A, 2-pole, 100mA, type AC Mideast	BC004210ME
RCCB 63A, 2-pole, 100mA, type AC Mideast	BC006210ME
4-POLE	
RCCB 40A, 4-pole, 100mA, type AC Mideast	BC004110ME
RCCB 63A, 4-pole, 100mA, type AC Mideast	BC006110ME
RESIDUAL CURRENT CIRCUIT BREAKER 10KA, TYPE AC, ME, 300MA	
2-POLE	
RCCB 40A, 2-pole, 300mA, type AC Mideast	BC004230ME
RCCB 63A, 2-pole, 300mA, type AC Mideast	BC006230ME
RCCB 100 A, 2-pole, 300mA, type AC, Mideast	BC000230ME
4-POLE	
RCCB 40A, 4-pole, 300mA, type AC Mideast	BC004130ME
RCCB 63A, 4-pole, 300mA, type AC Mideast	BC006130ME

RESIDUAL CURRENT CIRCUIT BREAKER SERIES BCF0, 10KA, TYPE A, TYPE G

DESCRIPTION	ORDER NO.
RESIDUAL CURRENT CIRCUIT BREAKER 10KA, TYPE A, TYPE G, 30MA	
2-POLE	
RCCB 40A, 2-pole, 30mA, type G, type A (Puls)	BC034203
4-POLE	
RCCB 40A, 4-pole, 30mA, type G, type A (Puls)	BC034103
RCCB 40A, 4-pole, 30mA, higher back up fuse char. gG, type G, type A	BC034403
RCCB 63A, 4-pole, 30mA, type G, type A (Puls)	BC036103
RCCB 80A, 4-pole, 30mA, type G, type A (Puls)	BC038103
RCCB 100A, 4-pole, 30mA, type G, type A (Puls)	BC030103
RESIDUAL CURRENT CIRCUIT BREAKER 10KA, TYPE A, TYPE G, 300MA	
4-POLE	
RCCB 100A, 4-pole, 300mA, type G, type A (Puls)	BC030130

RESIDUAL CURRENT CIRCUIT BREAKER SERIES BCF0, 10KA, TYPE AC, TYPE G

DESCRIPTION	ORDER NO.
RESIDUAL CURRENT CIRCUIT BREAKER 10KA, TYPE AC, TYPE G, 30MA	
2-POLE	
RCCB 25A, 2-pole, 30mA ,type G, type AC	BC022203
RCCB 40A, 2-pole, 30mA, type G, type AC	BC024203
4-POLE	
RCCB 40A, 4-pole, 30mA, type G, type AC	BC024103
RCCB 40A, 4-pole, 30mA, higher back up fuse char. gG, type G, type AC	BC024403
RCCB 63A, 4-pole, 30mA, type G, type AC	BC026103
RCCB 63A, 4-pole, 30mA, higher back up fuse char. gG, type G, type AC	BC026603
RCCB 80A, 4-pole, 30mA, type G, type AC	BC028103
RCCB 100A, 4-pole, 30mA ,type G, type AC	BC020103
RESIDUAL CURRENT CIRCUIT BREAKER 10KA TYPE AC, TYPE G, 100MA	
2-POLE	
RCCB 25A, 2-pole, 100mA ,type G, type AC	BC022210
RCCB 40A, 2-pole, 100mA, type G, type AC	BC024210
4-POLE	
RCCB 40A, 4-pole, 100mA, type G, type AC	BC024110
RCCB 40A, 4-pole, 100mA, higher back up fuse char. gG, type G, type AC	BC024410
RCCB 63A, 4-pole, 100mA, type G, type AC	BC026110
RCCB 63A, 4-pole, 100mA, higher back up fuse char. gG, type G, type AC	BC026610

RESIDUAL CURRENT CIRCUIT BREAKER SERIES BCF0, 10KA, TYPE A, TYPE S

DESCRIPTION	ORDER NO.
RESIDUAL CURRENT CIRCUIT BREAKER 10KA, TYPE A, TYPE S, IMPUSE CURRENT PROOF 100MA 4-POLE	
RCCB 40A, 4-pole, 100mA, type S, type A (Puls)	BC064110
RCCB 40A, 4-pole, 100mA, higher back up fuse char. gG, type S, type A	BC064410
RCCB 63A, 4-pole, 100mA, type S, type A (Puls)	BC066110
RCCB 63A, 4-pole, 100mA, higher back up fuse char. gG, type S, type A	BC066610
RESIDUAL CURRENT CIRCUIT BREAKER 10KA, TYPE A, TYPE S, IMPUSE CURRENT PROOF 300MA 4-POLE	
RCCB 40A, 4-pole, 300mA, type S, type A (Puls)	BC064130
RCCB 63A, 4-pole, 300mA, type S, type A (Puls)	BC066130
RCCB 63A, 4-pole, 300mA, higher back up fuse char. gG, type S, type A	BC066630
RCCB 80A, 4-pole, 300mA, type S, type A (Puls)	BC068130
RCCB 100A, 4-pole, 300mA, type S, type A (Puls)	BC060130

RESIDUAL CURRENT CIRCUIT BREAKER SERIES BCF0, 10KA, TYPE A, FREQUENZY CONVERTER PROOF

DESCRIPTION	ORDER NO.
RESIDUAL CURRENT CIRCUIT BREAKER 10KA, TYPE A, TYPE S, IMPUSE CURRENT PROOF FU, 300MA 4-POLE	
RCCB U fest, 40A, 4-pole, 300mA, type S, type A	BC094130
RCCB U fest, 63A, 4-pole, 300mA, type S, type A	BC096130
RCCB U fest, 63A, 4-pole, 300mA, higher back up fuse char. gG, S, type A	BC096630
RCCB U fest, 80A, 4-pole, 300mA, type S, type A	BC098130
RCCB U fest, 100A, 4-pole, 300mA, type S, type A	BC090130
RESIDUAL CURRENT CIRCUIT BREAKER 10KA, TYPE A, TYPE G, U 30MA 4-POLE	
RCCB U fest, 40A, 4-pole, 30mA, type G, type A	BC094103
RCCB U fest, 63A, 4-pole, 30mA, type G, type A	BC096103
RESIDUAL CURRENT CIRCUIT BREAKER 10KA, TYPE A, TYPE S, IMPUSE CURRENT PROOF FU, 100MA 4-POLE	
RCCB U fest, 40A, 4-pole, 100mA, type S, type A	BC094110
RCCB U fest, 63A, 4-pole, 100mA, type S, type A	BC096110
RCCB U fest, 63A, 4-pole, 100mA, higher back up fuse char. gG, S, type A	BC096610

RESIDUAL CURRENT CIRCUIT BREAKER SERIES BCF6, 6KA, TYPE A

DESCRIPTION	ORDER NO.
RESIDUAL CURRENT CIRCUIT BREAKER 6KA, TYPE A, 30MA	
2-POLE	
RCCB 25A, 2-pole, 30mA, type A (Puls), 6kA	BC652203
RCCB 40A, 2-pole, 30mA, type A (Puls), 6kA	BC654203
RCCB 63A, 2-pole, 30mA, type A (Puls), 6kA	BC656203
4-POLE	
RCCB 25A, 4-pole, 30mA, type A (Puls), 6kA	BC652103
RCCB 40A, 4-pole, 30mA, type A (Puls), 6kA	BC654103
RCCB 63A, 4-pole, 30mA, type A (Puls), 6kA	BC656103
RESIDUAL CURRENT CIRCUIT BREAKER 6KA, TYPE A, 100MA	
4-POLE	
RCCB 25A, 4-pole, 100mA, type A (Puls), 6kA	BC652110
RESIDUAL CURRENT CIRCUIT BREAKER 6KA, TYPE A, 300MA	
2-POLE	
RCCB 25A, 2-pole, 300mA, type A (Puls), 6kA	BC652230
RCCB 40A, 2-pole, 300mA, type A (Puls), 6kA	BC654230
RCCB 63A, 2-pole, 300mA, type A (Puls), 6kA	BC656230
4-POLE	
RCCB 25A, 4-pole, 300mA, type A (Puls), 6kA	BC652130
RCCB 40A, 4-pole, 300mA, type A (Puls), 6kA	BC654130
RCCB 63A, 4-pole, 300mA, type A (Puls), 6kA	BC656130

RESIDUAL CURRENT CIRCUIT BREAKER SERIES BCF6, 6KA, TYPE A, TYPE G

DESCRIPTION	ORDER NO.
RESIDUAL CURRENT CIRCUIT BREAKER 6KA, TYPE A, 30MA, TYPE G	
2-POLE	
RCCB 40A, 2pol.,30mA, type G, type A(Puls), 6kA	BC634203
4-POLE	
RCCB 40A, 4pol.,30mA, type G, type A(Puls), 6kA	BC634103

RESIDUAL CURRENT CIRCUIT BREAKER SERIES BCF6, 6KA, TYPE AC

DESCRIPTION	ORDER NO.
RESIDUAL CURRENT CIRCUIT BREAKER 6KA, TYPE AC, 30MA	
2-POLE	
RCCB 25A, 2-pole, 30mA, type AC, 6kA	BC602203
RCCB 40A, 2-pole, 30mA, type AC, 6kA	BC604203
RCCB 63A, 2-pole, 30mA, type AC, 6kA	BC606203
4-POLE	
RCCB 25A, 4-pole, 30mA, type AC, 6kA	BC602103
RCCB 40A, 4-pole, 30mA, type AC, 6kA	BC604103
RCCB 63A, 4-pole, 30mA, type AC, 6kA	BC606103
RESIDUAL CURRENT CIRCUIT BREAKER 6KA, TYPE AC, 100MA	
2-POLE	
RCCB 25A, 2-pole, 100mA, type AC, 6kA	BC602210
RCCB 40A, 2-pole, 100mA, type AC, 6kA	BC604210
RCCB 63A, 2-pole, 100mA, type AC, 6kA	BC606210
4-POLE	
RCCB 25A, 4-pole, 100mA, type AC, 6kA	BC602110
RCCB 40A, 4-pole, 100mA, type AC, 6kA	BC604110
RCCB 63A, 4-pole, 100mA, type AC, 6kA	BC606110
RESIDUAL CURRENT CIRCUIT BREAKER 6KA, TYPE AC, 300MA	
2-POLE	
RCCB 25A, 2-pole, 300mA, type AC, 6kA	BC602230
RCCB 40A, 2-pole, 300mA, type AC, 6kA	BC604230
RCCB 63A, 2-pole, 300mA, type AC, 6kA	BC606230
4-POLE	
RCCB 25A, 4-pole, 300mA, type AC, 6kA	BC602130
RCCB 40A, 4-pole, 300mA, type AC, 6kA	BC604130
RCCB 63A, 4-pole, 300mA, type AC, 6kA	BC606130

RESIDUAL CURRENT CIRCUIT BREAKER 500MA (SERBIA), 10KA, TYPE AC

DESCRIPTION	ORDER NO.
RESIDUAL CURRENT CIRCUIT BREAKER, 500MA (SERBIA), 10KA 4-POLE	
RCCB 40A, 4-pole, 500mA, type AC	BC004150
RCCB 63A, 4-pole, 500mA, type AC	BC006150
RCCB 100A, 4-pole, 500mA, type AC	BC000150

RESIDUAL CURRENT CIRCUIT BREAKER 500MA (SERBIA), 6KA, TYPE AC

DESCRIPTION	ORDER NO.
RESIDUAL CURRENT CIRCUIT BREAKER, 500MA (SERBIA), 6KA 4-POLE	
RCCB 25A, 4-pole, 500mA, type AC, 6kA	BC602150
RCCB 40A, 4-pole, 500mA, type AC, 6kA	BC604150
RCCB 63A, 4-pole, 500mA, type AC, 6kA	BC606150