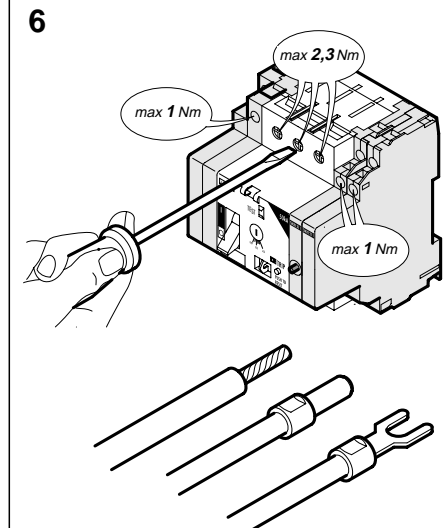
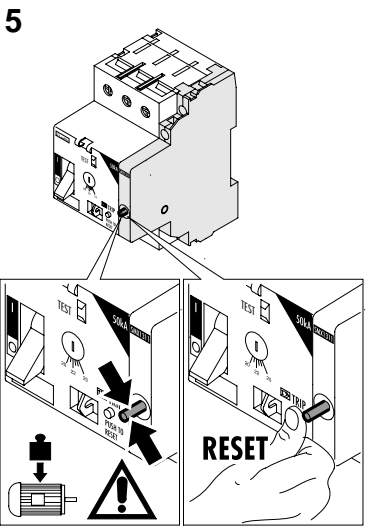
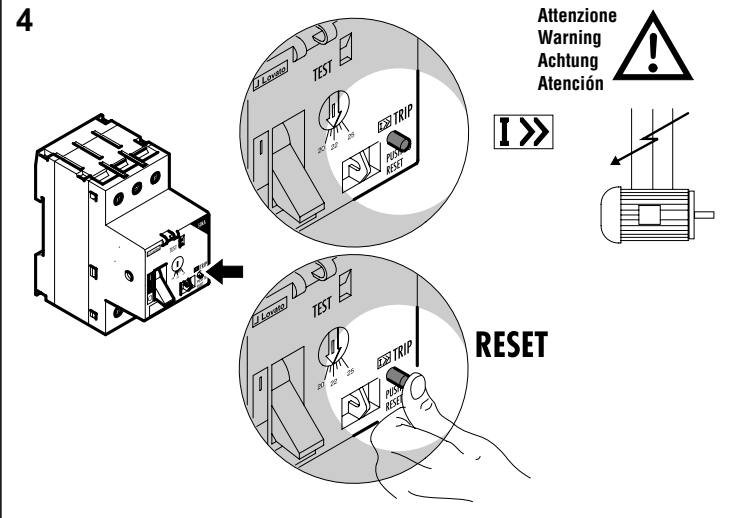
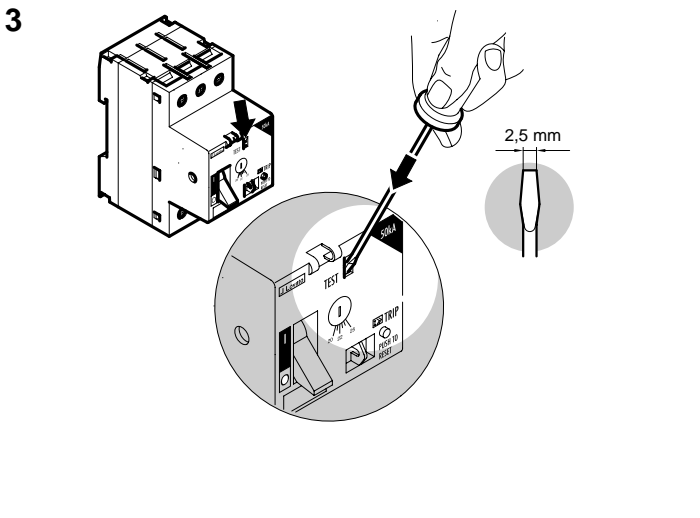
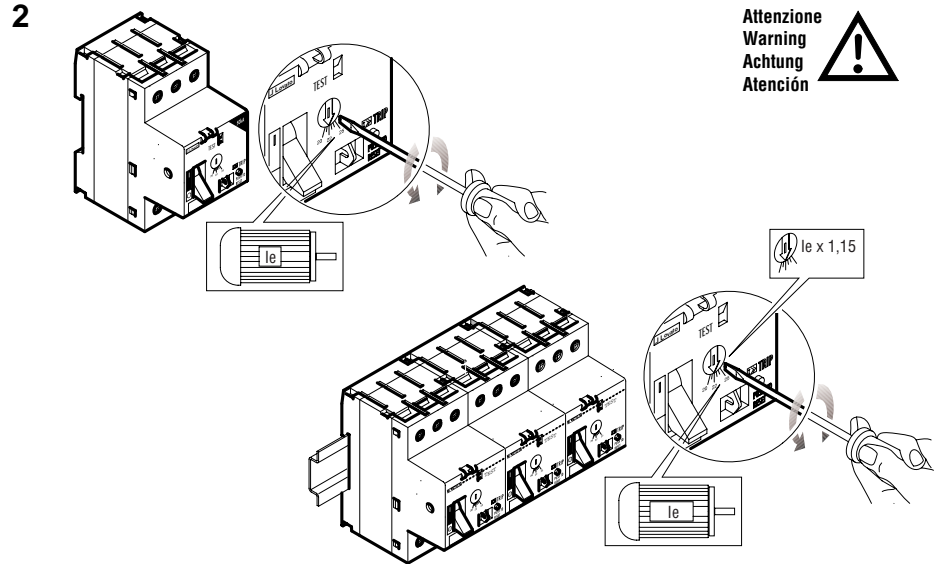
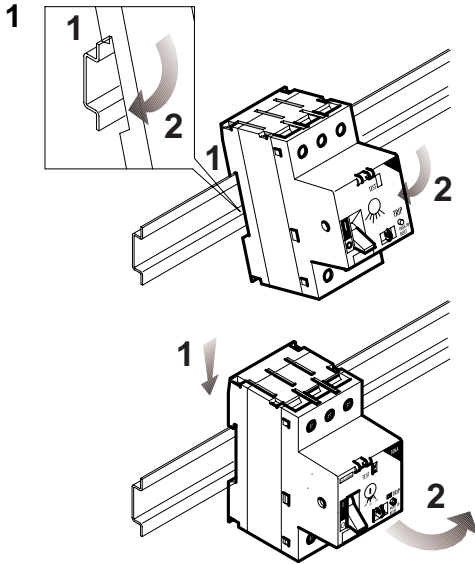


- I INTERRUTTORI SALVAMOTORI MAGNETOTERMICI
- GB MOTOR PROTECTION CIRCUIT BREAKERS
- D MAGNETOTHERMISCHE MOTORSCHUTZSCHALTER
- E INTERRUPTORES GUARDAMOTORES MAGNETOTÉRMICOS

SM1A... - SM1B... - SM1C...



	11 SM1...	11 SMX...
	Ph 2	Ph 2
	Ø = 5	Ø = 5
	2 x 6 mm ² max	2 x 2.5 mm ² max
	2 x 6 mm ² max	2 x 2.5 mm ² max
AWG	2 x 10 max	2 x 14 max

