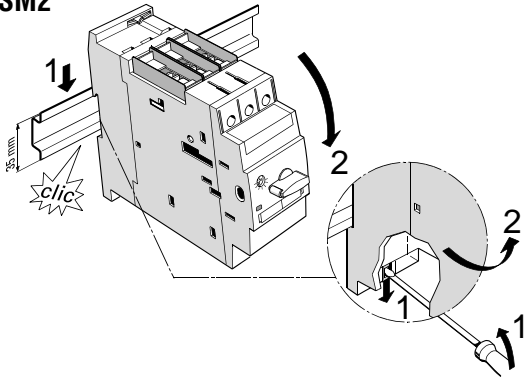
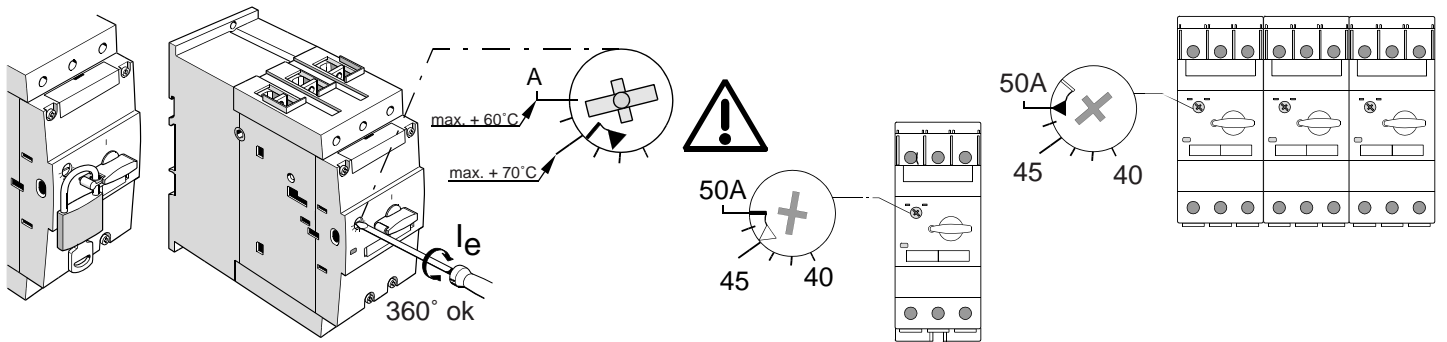
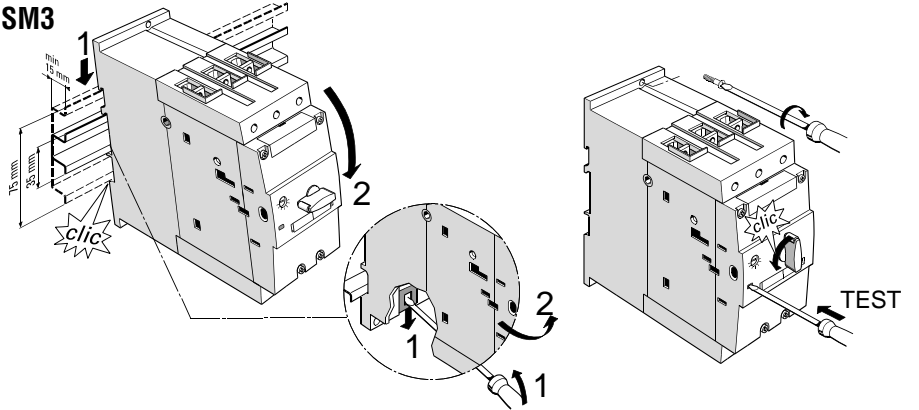


SM2... - SM3...

SM2

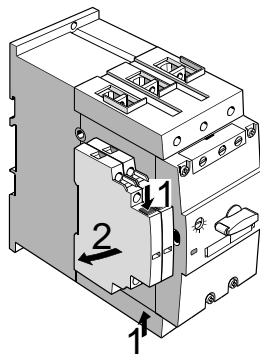
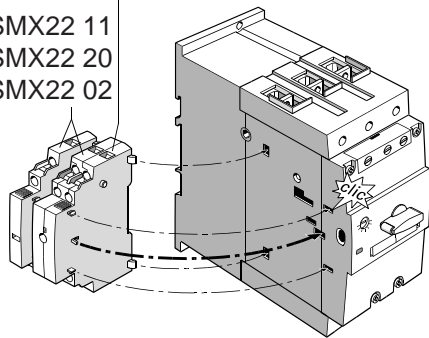


SM3

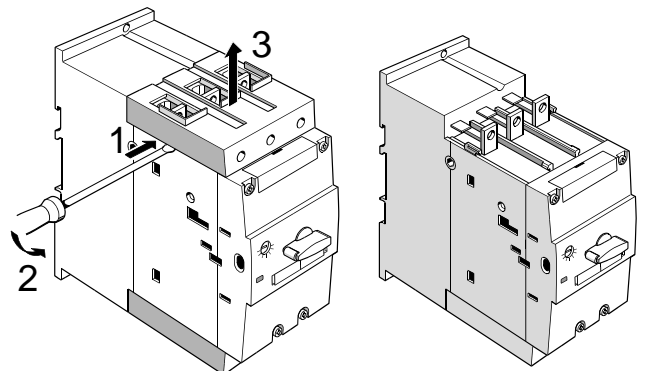
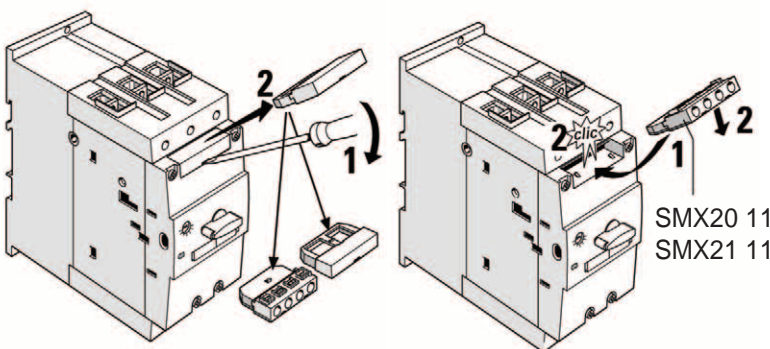
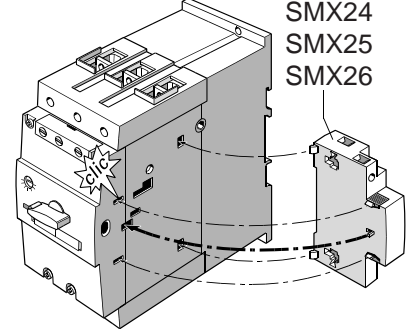



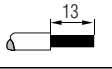
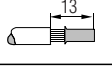
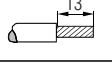
SMX23 11


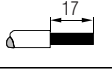
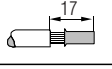
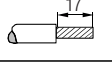
SMX22 11
 SMX22 20
 SMX22 02

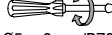
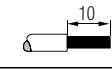
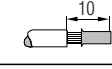


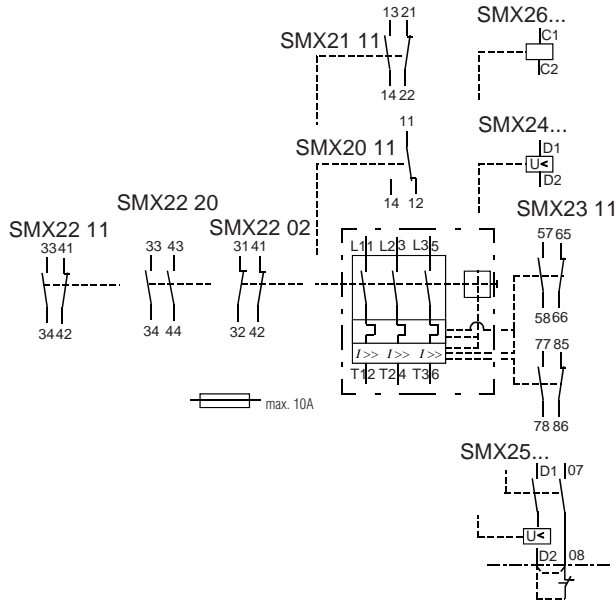
SMX24
 SMX25
 SMX26



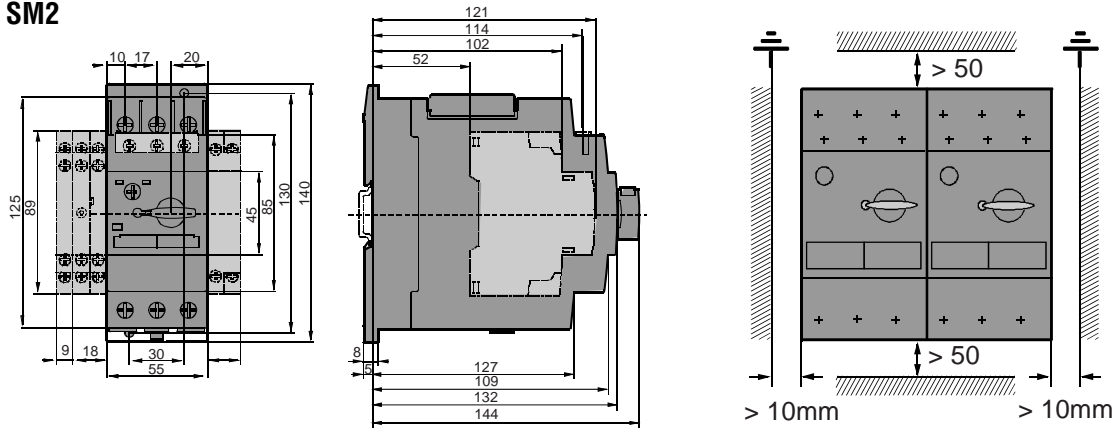
11 SM2...	
 Ø5... 6mm/PZ2	3... 4,5Nm 27 to 40LB.IN
	2 x 0,75... 16mm≈
	2 x 0,75... 16mm≈ 1 x 0,75... 25mm≈
	2 x 0,75... 25mm≈ 1 x 0,75... 35mm≈
AWG	2 x 18 to 3 1 x 18 to 2

11 SM3...	
 min	4... 6Nm 35... 53LB.IN
	2 x 2,5... 16mm≈
	2 x 2,5... 35mm≈ 1 x 2,5... 50mm≈
	2 x 10... 50mm≈ 2 x 10... 70mm≈
AWG	2 x 10 to 1/0 2 x 10 to 2/0

11 SMX...	
 Ø5... 6mm/PZ2	0,8 ... 1,2Nm 7 to 10,3 LB.IN
	2 x 0,5... 1,5mm≈ 2 x 0,75... 2,5mm≈
	2 x 0,5... 2,5mm≈
...	...
AWG	2 x 18 to 14



SM2



SM3

