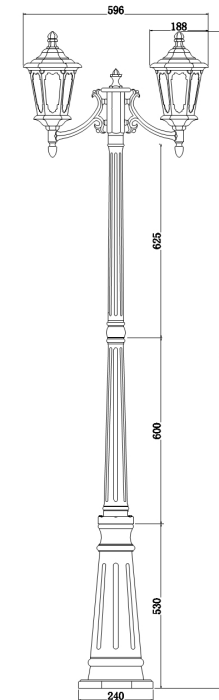
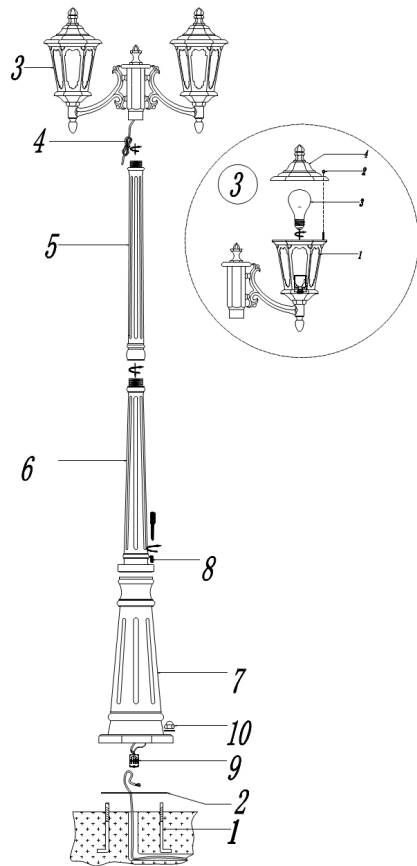


# Instruction

Collection: OUTDOOR  
Series: OXFORD  
Model: S101-209-61-B  
Mobile



- Mobile



2 x E27 (100W)

**MAYTONI**  
DECORATIVE LIGHTING

[www.maytoni.de](http://www.maytoni.de)