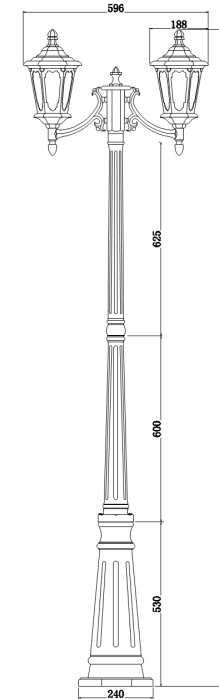
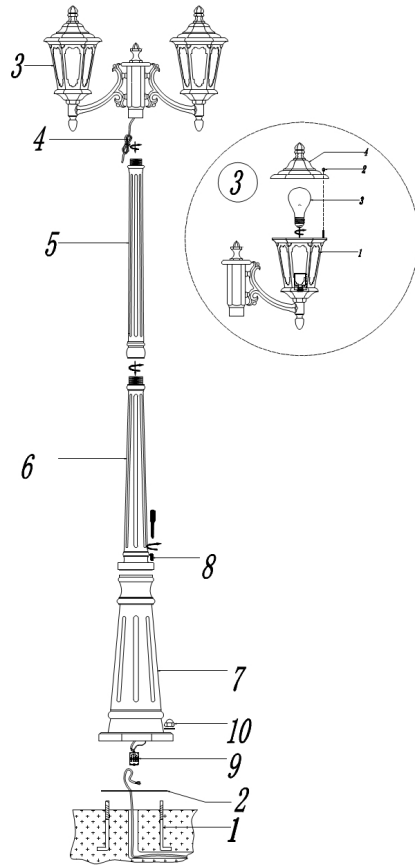


Instruction

Collection: OUTDOOR
Series: OXFORD
Model: S101-209-61-R
Mobile



- Mobile



2 x E27 (100W)

MAYTONI
DECORATIVE LIGHTING

www.maytoni.de