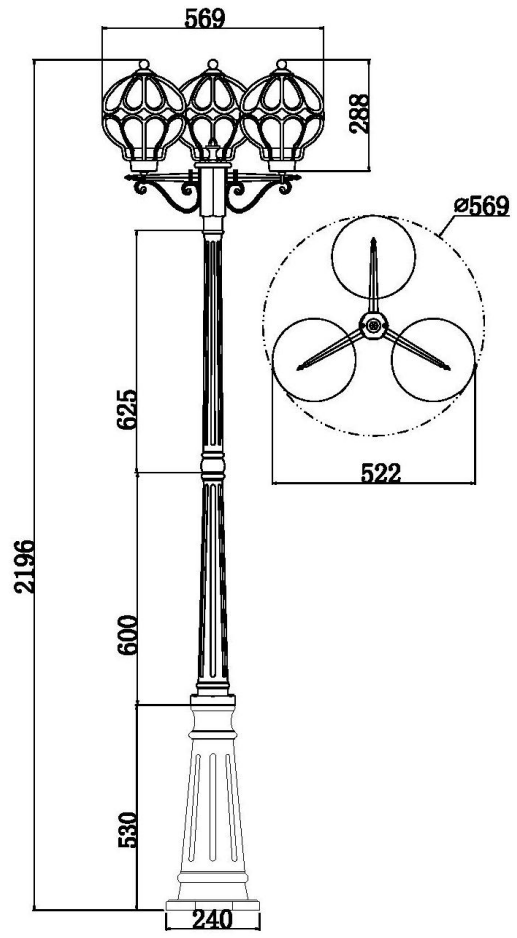
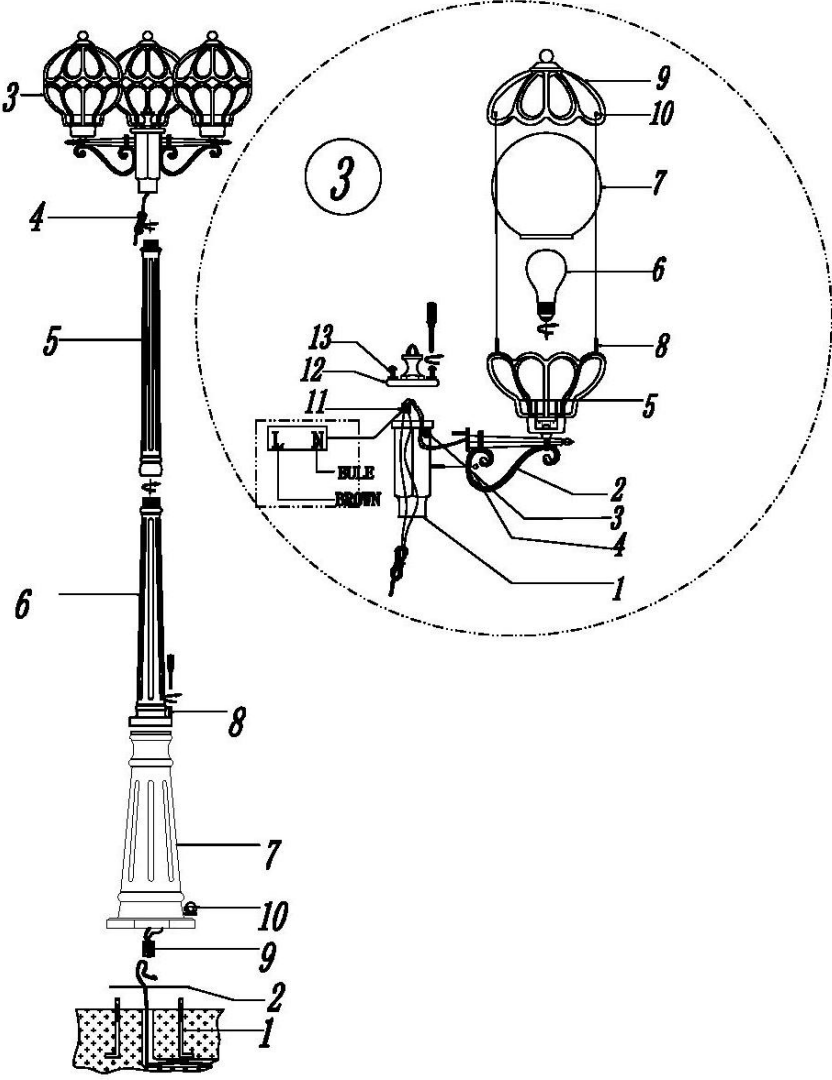


Instruction

Collection: OUTDOOR
 Series: CHAMPS ELYSEES
 Model: S110-22-03-R
 Mobile



- Mobile



1 x E27 (100W)

MAYTONI
 DECORATIVE LIGHTING

www.maytoni.de