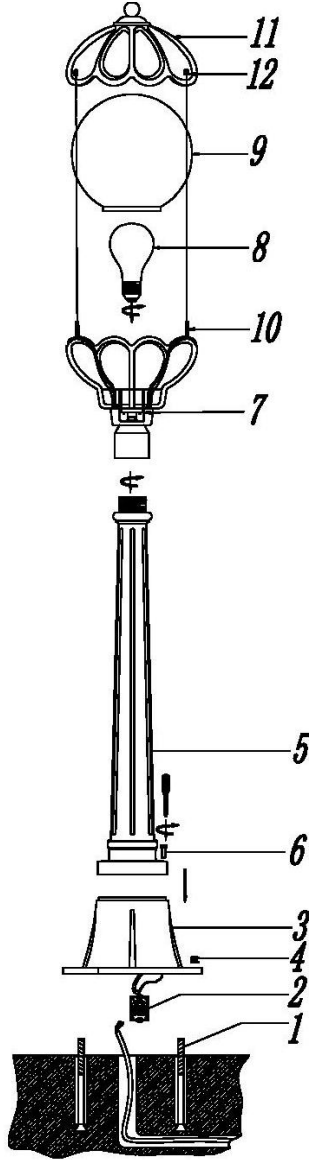
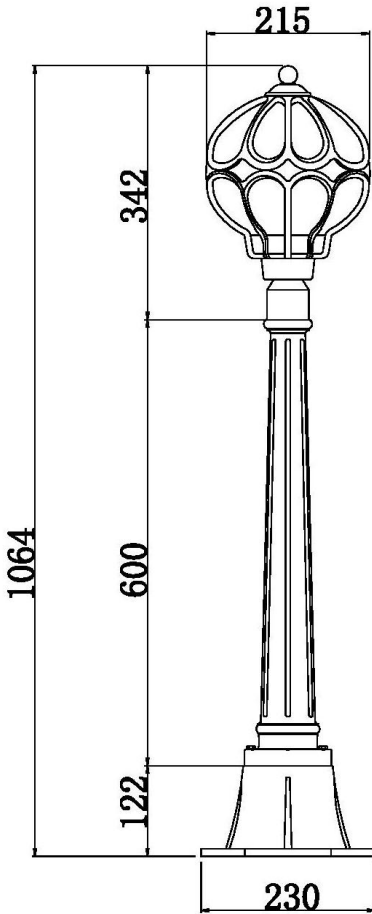


# Instruction



Collection: OUTDOOR  
Series: CHAMPS ELYSEES  
Model: S110-10-01-R  
Mobile



- Mobile



1 x E27 (100W)

**MAYTONI**  
DECORATIVE LIGHTING

[www.maytoni.de](http://www.maytoni.de)