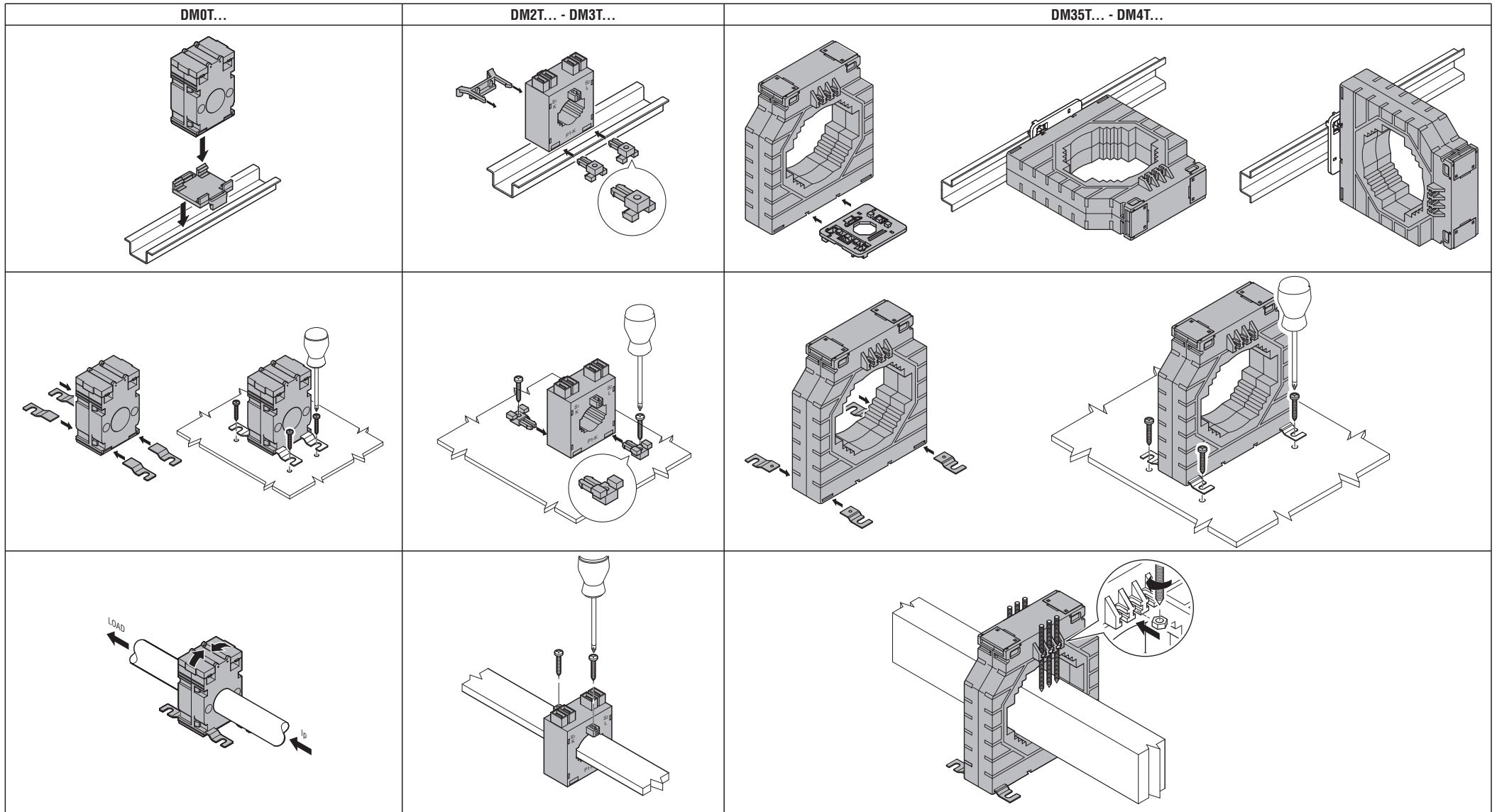
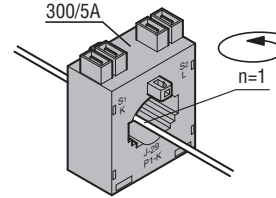
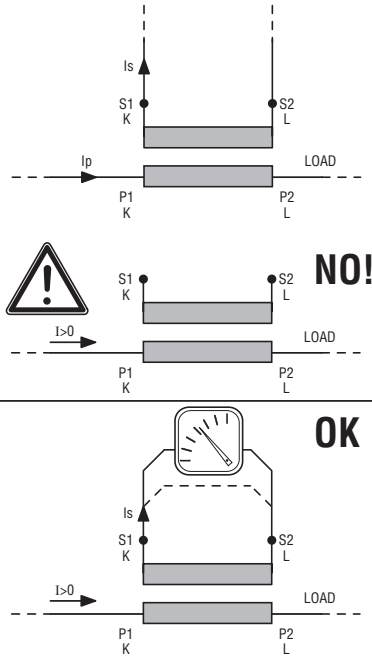
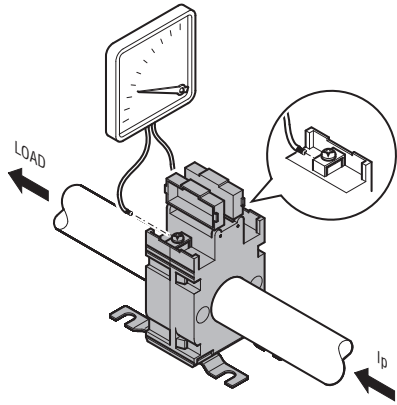


- ① TRASFORMATORI DI CORRENTE - TIPO A FORO PASSANTE
- ⒸB CURRENT TRANSFORMERS - SOLID CORE TYPE
- Ⓓ STROMWANDLER - AUFSTECK-TYP
- Ⓕ TRANSFORMATEURS D'INTENSITE - TYPE A PASSAGE
- Ⓔ TRANSFORMADORES DE CORRIENTE - TIPO PASANTE

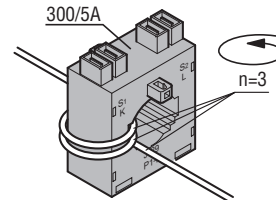
DM0T... - DM2T... - DM3T... - DM35T... - DM4T...



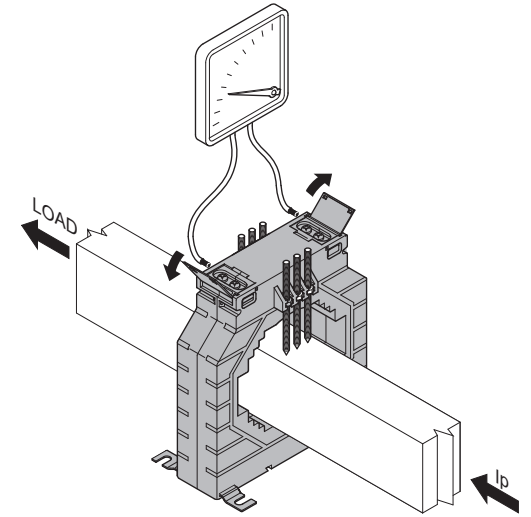
DM...T



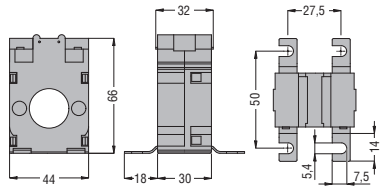
300:n/5A
300:1/5A=300/5A



300:n/5A
300:3/5A=100/5A



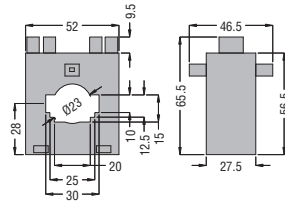
DM0T...



= Ø22mm

	Ip /5 [A]	cl./kl. 1 [VA]
DM0T 0040	40	1.25 (cl. 3)
DM0T 0050	50	1.25
DM0T 0060	60	1.5
DM0T 0080	80	1.5
DM0T 0100	100	1.5
DM0T 0150	150	2

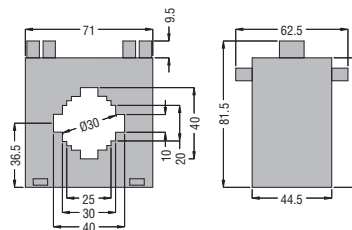
DM2T...



= Ø23mm
 = 30x10mm
25x12.5mm
20x15mm

	Ip /5 [A]	cl./kl. 0.5 [VA]	cl./kl. 1 [VA]
DM2T 0100	100	—	1
DM2T 0150	150	—	1.5
DM2T 0200	200	—	2
DM2T 0250	250	—	2.5
DM2T 0300	300	1.5	3
DM2T 0400	400	2	3

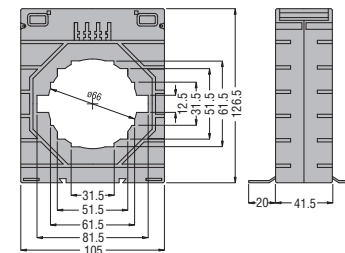
DM3T...



= Ø30mm
 = 40x10mm
30x20mm
25x25mm

	Ip /5 [A]	cl./kl. 0.5 [VA]	cl./kl. 1 [VA]
DM3T 0200	200	—	5
DM3T 0250	250	—	5
DM3T 0300	300	2.5	5
DM3T 0400	400	2.5	5
DM3T 0500	500	2.5	5
DM3T 0600	600	5	10
DM3T 0800	800	5	10

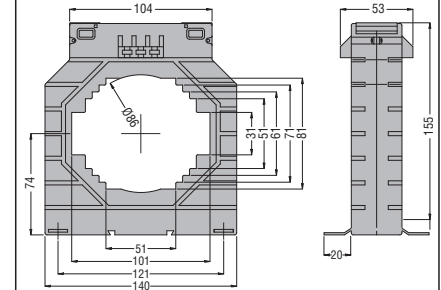
DM35T...



= Ø66mm
 = 80x12.5mm
60x30mm
50x50mm

	Ip /5 [A]	cl./kl. 0.5 [VA]	cl./kl. 1 [VA]
DM35T 0400	400	5	7.5
DM35T 0500	500	5	10
DM35T 0600	600	10	15
DM35T 0800	800	10	15
DM35T 1000	1000	15	20
DM35T 1250	1250	15	20

DM4T...



= Ø86mm
 = 100x30mm
80x50mm
70x60mm

	Ip /5 [A]	cl./kl. 0.5 [VA]	cl./kl. 1 [VA]
DM4T 1000	1000	10	20
DM4T 1250	1250	15	30
DM4T 1500	1500	20	30
DM4T 1600	1600	20	30
DM4T 2000	2000	30	45
DM4T 2500	2500	35	45
DM4T 3000	3000	45	45
DM4T 3500	3500	50	50
DM4T 4000	4000	50	50