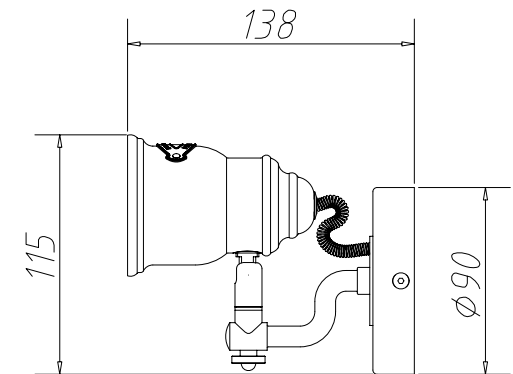
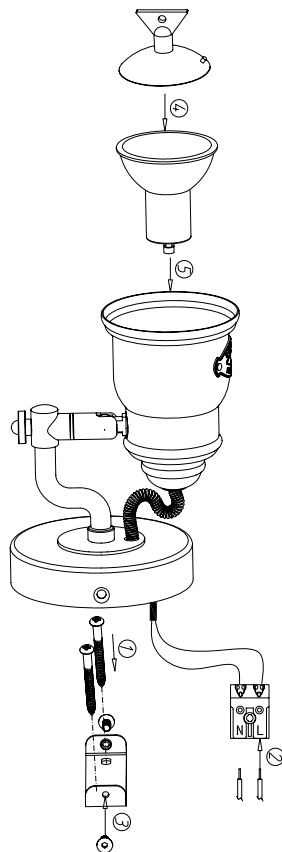


Instruction

SP315-CW-01-BR



1 x GU10 (50W)

Model: SP315-CW-01-BR
Collection: Spot
Series: Borgo



Wall Lamps