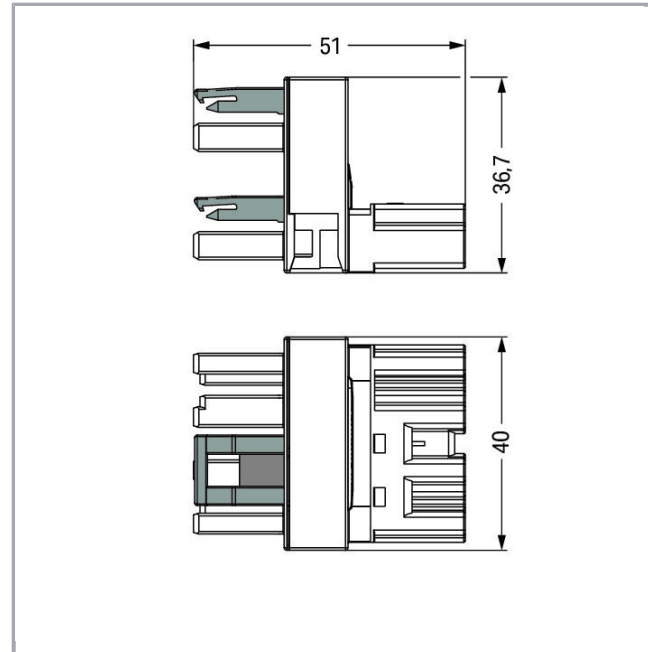
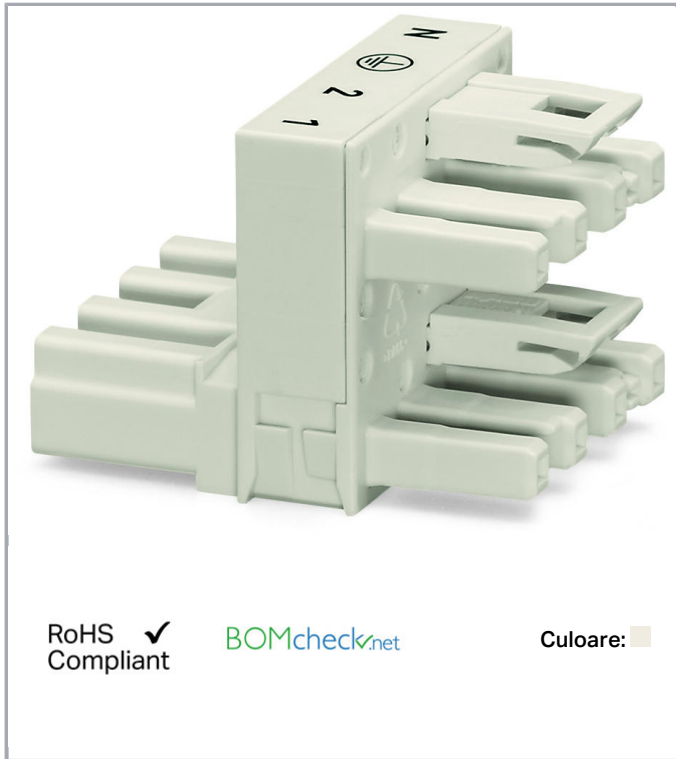


## Fișă tehnică | Număr articol: 770-994

h-distribution connector; 4-pole; Cod. A; 1 input; 2 outputs; outputs on one side; 2 locking levers; white

[www.wago.com/770-994](http://www.wago.com/770-994)



### Descriere articol

- Protected against mismatching and maintenance-free
- Additional variable coding is possible

#### Note:

All connectors for mounted installations (snap-in versions for lighting fixtures or devices, all types of PCB and distribution connectors) are factory-equipped with locking levers to ensure plugs and sockets are securely locked. Additional locking levers are only required for flying leads (plug /socket).

#### Note on mismatching protection:

All WINSTA<sup>®</sup> components are 100% protected against mismatching when:

- a.) plugging different numbers of poles
- b.) plugging while rotated 180
- c.) plugging while laterally staggered
- d.) plugging one pole

#### Safety information 1:

Application note for the U.S. market (USR): Some versions may also be used for current interruption in accordance with the UL certificate in select applications with currents below 16 A and voltages up to 600 V. For further information, please contact your local sales office.

Supus modificărilor.

WAGO Kontakttechnik GmbH & Co. KG  
/Representative Office Romania  
Sos. Pipera-Tunari nr. 1/1  
building 1, 2nd floor | 077190 Voluntari, Ilfov  
Tel.: +40-(0)31 421 85 68 | Email: info-RO@wago.com

Aveți întrebări despre produsele noastre?

Vă stăm la dispoziție pentru preluarea apelului la +40 (0) 31 421 85 68.



## Date

### Electrical data

|                            |   |
|----------------------------|---|
| Note on Contact Resistance | approx. 1 mΩ of contact resistance approx. 0.25 mΩ contact transition plug/socket |
|----------------------------|---|

### Ratings per IEC/EN 60664-1

| Ratings per                 | IEC/EN 60664-1  |
|-----------------------------|---|
| Nominal voltage (III/3)     | 400 V   |
| Rated surge voltage (III/3) | 6 kV  |
| Rated current               | 25 A  |
| Legend (ratings)            | (III / 3) ≙ Overvoltage category III / Pollution degree 3 |

### Approvals per UL 1977

|                       |       |
|-----------------------|-------|
| Rated voltage UL 1977 | 600 V |
| Rated current UL 1977 | 23 A  |

### Connection data

|                            |                               |
|----------------------------|-------------------------------|
| Pole No.                   | 4                             |
| Total number of potentials | 4                             |
| Ground function            | with preceding ground contact |

### Geometrical Data

|             |                      |
|-------------|----------------------|
| Pin spacing | 10 mm / 0.394 inch   |
| Width       | 40 mm / 1.575 inch   |
| Height      | 32,7 mm / 1.287 inch |
| Depth       | 51 mm / 2.008 inch   |

### Mechanical data

|   |   |
|---|---|
| Coding                                  | A   |
| Mating force of a plug-in connection    | approx. 20 ... 70 N (depending on pole number)  |
| Retention force of a plug-in connection | When locked: > 80 N   |
| Unmating force of a plug-in connection  | when unlocked: approx. 20 ... 70 N (depending on pole number)   |
| Number of mating cycles                 | 200, without resistive load 100, with resistive load $I_N = 25$ A, tested (4 mm <sup>2</sup> /AWG 12) |

Supus modificărilor.

WAGO Kontakttechnik GmbH & Co. KG  
 /Representative Office Romania  
 Sos. Pipera-Tunari nr. 1/1  
 building 1, 2nd floor | 077190 Voluntari, Ilfov  
 Tel.: +40-(0)31 421 85 68 | Email: info-RO@wago.com

Aveți întrebări despre produsele noastre?  
 Vă stăm la dispoziție pentru preluarea apelului la +40 (0) 31 421 85 68.



|                         |   |
|-------------------------|---|
| Distributor type        | h-distribution connector (unidirectional)   |
| Marking                 | N 2/L 1/L'  |
| Protection type         | IP20  |
| Note on protection type | Only when mated (these compact connectors are not designed for use in open, easily accessible areas). |
| Potential marking       | N 2/L 1/L'  |
| Application             | General mains applications  |

### Plug connection

|                                    |               |
|------------------------------------|---------------|
| Contact type (pluggable connector) | Socket/plug   |
| Mismating protection               | Yes           |
| Locking of plug-in connection      | locking lever |
| Locking lever                      | yes           |

### Material Data

|                     |  |
|---------------------|--|
| Color               | white                                    |
| Insulation material | Polyamide 66 (PA 66)                     |
| Contact material    | Copper or copper alloy (surface-treated) |
| Fire load           | 0,536 MJ                                 |
| Weight              | 31,6 g                                   |

### Environmental Requirements

|  |   |
|--|---|
| Processing temperature                   | -5 ... +40 °C                                   |
| Continuous operating temperature         | -35 ... +85 °C                                  |
| Note on continuous operating temperature | Insulating parts for temperatures $\leq 105$ °C |

### Commercial data

|                       |               |
|-----------------------|---------------|
| Product Group         | 20 (WINSTA)   |
| Packaging type        | BOX           |
| Country of origin     | DE            |
| GTIN                  | 4045454982041 |
| Customs tariff number | 85366990990   |

### Aprobări / certificate

#### UL-Approvals

|         |          |                              |                 |
|---------|----------|------------------------------|-----------------|
| Emblemă | Aprobare | Text de aprobare suplimentar | Nume certificat |
|---------|----------|------------------------------|-----------------|

Supus modificărilor.

WAGO Kontakttechnik GmbH & Co. KG  
 /Representative Office Romania  
 Sos. Pipera-Tunari nr. 1/1  
 building 1, 2nd floor | 077190 Voluntari, Ilfov  
 Tel.: +40-(0)31 421 85 68 | Email: info-RO@wago.com

Aveți întrebări despre produsele noastre?  
 Vă stăm la dispoziție pentru preluarea apelului la +40 (0) 31 421 85 68.



cURus  
Underwriters Laboratories Inc.

UL 1977

E45171  
Sec. 9

## Counterpart



**Nr. articol**770-124  
Socket; with strain relief housing; 4-pole; Cod. A; 4,00 mm<sup>2</sup>; white

[www.wago.com/770-124](http://www.wago.com/770-124)



**Nr. articol**770-134  
Plug; with strain relief housing; 4-pole; Cod. A; 4,00 mm<sup>2</sup>; white

[www.wago.com/770-134](http://www.wago.com/770-134)



**Nr. articol**770-234  
Plug; 4-pole; Cod. A; 4,00 mm<sup>2</sup>; white

[www.wago.com/770-234](http://www.wago.com/770-234)



**Nr. articol**770-224  
Socket; 4-pole; Cod. A; 4,00 mm<sup>2</sup>; white

[www.wago.com/770-224](http://www.wago.com/770-224)



**Nr. articol**771-9994/006-102  
pre-assembled interconnecting cable; Eca; Socket/plug; 4-pole; Cod. A; H05VV-F 4G 1.5 mm<sup>2</sup>; 1 m; 1,50 mm<sup>2</sup>; white

[www.wago.com/771-9994/006-102](http://www.wago.com/771-9994/006-102)



**Nr. articol**771-9994/106-102  
pre-assembled connecting cable; Eca; Socket/open-ended; 4-pole; Cod. A; H05VV-F 4G 1.5 mm<sup>2</sup>; 1 m; 1,50 mm<sup>2</sup>; white

[www.wago.com/771-9994/106-102](http://www.wago.com/771-9994/106-102)



**Nr. articol**771-9994/206-102  
pre-assembled connecting cable; Eca; Plug/open-ended; 4-pole; Cod. A; H05VV-F 4G 1.5 mm<sup>2</sup>; 1 m; 1,50 mm<sup>2</sup>; white

[www.wago.com/771-9994/206-102](http://www.wago.com/771-9994/206-102)

## Descărcări

### CAD/CAE-Data

#### CAD data

2D/3D Models 770-994

[URL](#)

[Descărcare](#)

#### CAE data

WSCAD Universe 770-994

[URL](#)

[Descărcare](#)

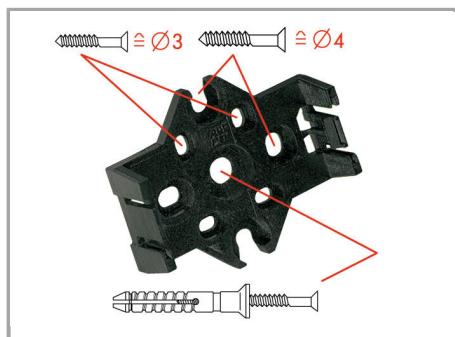
## Installation Notes

### Installation

Supus modificărilor.

WAGO Kontakttechnik GmbH & Co. KG  
/Representative Office Romania  
Sos. Pipera-Tunari nr. 1/1  
building 1, 2nd floor | 077190 Voluntari, Ilfov  
Tel.: +40-(0)31 421 85 68 | Email: info-RO@wago.com

Aveți întrebări despre produsele noastre?  
Vă stăm la dispoziție pentru preluarea apelului la +40 (0) 31 421 85 68.



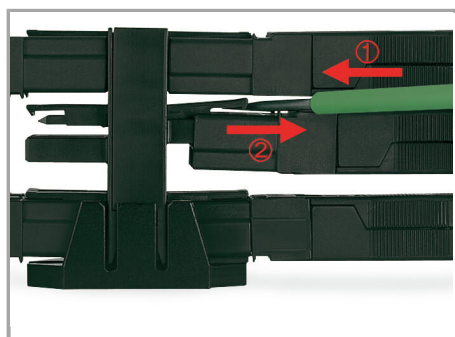
The mounting plate for distribution connectors can be mounted using commercially available screws or nail-drive anchors.



The distribution connectors are latched when mounted on the mounting plate.



To release the distribution connector, unlock the latch using a screwdriver.



All distributor connections are locked and protected against accidental disconnection directly after mating. Locking of any connection is released using a screwdriver, even if all connections are in use.

## Familie de produse

*WINSTA*® MIDI

Afișare globală produse din familie.

Supus modificărilor.