

## Descriere articol

- Protected against mismatching and maintenance-free
- Compact design with 4.4 mm pole spacing

### Note:

All connectors for mounted installations (snap-in versions for lighting fixtures or devices, all types of PCB and distribution connectors) are factory-equipped with locking levers to ensure plugs and sockets are securely locked. Additional locking levers are only required for flying leads (plug /socket).

### Note:

At least one snap-in connector **without** a locking lever is required on one side when connecting two lights directly via intermediate coupler.

### Note on mismatching protection:

All WINSTA<sup>®</sup> components are 100% protected against mismatching when:

- plugging different numbers of poles
- plugging while rotated 180
- plugging while laterally staggered
- plugging one pole

Supus modificărilor.

**Safety information 1:**

Application note for the U.S. market (USR): Some versions may also be used for current interruption in accordance with the UL certificate in select applications with currents below 5 A and voltages up to 600 V. For further information, please contact your local sales office.

**Date****Electrical data**

|                            |   |
|----------------------------|---|
| Note on Contact Resistance | approx. 1 mΩ of contact resistance approx. 0.25 mΩ contact transition plug/socket |
|----------------------------|---|

**Ratings per IEC/EN 60664-1**

| Ratings per                 | IEC/EN 60664-1  |
|-----------------------------|---|
| Nominal voltage (III/3)     | 250 V   |
| Rated surge voltage (III/3) | 4 kV  |
| Rated current               | 16 A  |
| Legend (ratings)            | (III / 3) ≙ Overvoltage category III / Pollution degree 3 |

**Approvals per UL 1977**

|                       |       |
|-----------------------|-------|
| Rated voltage UL 1977 | 600 V |
| Rated current UL 1977 | 14 A  |

**Connection data**

|                            |   |
|----------------------------|---|
| Pole No.                   | 3 |
| Total number of potentials | 3 |

**Geometrical Data**

|             |                      |
|-------------|----------------------|
| Pin spacing | 4,4 mm / 0.173 inch  |
| Width       | 14,5 mm / 0.571 inch |
| Height      | 10,5 mm / 0.413 inch |
| Depth       | 37,2 mm / 1.465 inch |

**Mechanical data**

|   |   |
|---|---|
| Coding                                  | A   |
| Mating force of a plug-in connection    | approx. 20 ... 70 N (depending on pole number)                |
| Retention force of a plug-in connection | When locked: > 80 N   |
| Unmating force of a plug-in connection  | when unlocked: approx. 20 ... 70 N (depending on pole number) |
| Number of mating cycles                 | 200, without resistive load                                   |

Supus modificărilor.

WAGO Kontakttechnik GmbH & Co. KG  
 /Representative Office Romania  
 Sos. Pipera-Tunari nr. 1/1  
 building 1, 2nd floor | 077190 Voluntari, Ilfov  
 Tel.: +40-(0)31 421 85 68 | Email: info-RO@wago.com

Aveți întrebări despre produsele noastre?  
 Vă stăm la dispoziție pentru preluarea apelului la +40 (0) 31 421 85 68.

100, with resistive load  $I_N = 16$  A, tested (1.5mm<sup>2</sup>/AWG 16)

|                         |                            |
|-------------------------|----------------------------|
| Distributor type        | Intermediate coupler       |
| Protection type         | IP20                       |
| Note on protection type | IP40 when mated            |
| Application             | General mains applications |

### Plug connection

|                                    |               |
|------------------------------------|---------------|
| Contact type (pluggable connector) | Socket/plug   |
| Mismating protection               | Yes           |
| Locking of plug-in connection      | locking lever |
| Locking lever                      | yes           |

### Material Data

|                     |  |
|---------------------|--|
| Color               | black                                    |
| Insulation material | Polyamide 66 (PA 66)                     |
| Contact material    | Copper or copper alloy (surface-treated) |
| Fire load           | 0,059 MJ                                 |
| Weight              | 3,5 g                                    |

### Environmental Requirements

|  |   |
|--|---|
| Processing temperature                   | -5 ... +40 °C                                   |
| Continuous operating temperature         | -35 ... +85 °C                                  |
| Note on continuous operating temperature | Insulating parts for temperatures $\leq 105$ °C |

### Commercial data

|                       |               |
|-----------------------|---------------|
| Product Group         | 20 (WINSTA)   |
| Packaging type        | BOX           |
| Country of origin     | PL            |
| GTIN                  | 4050821295426 |
| Customs tariff number | 85366990990   |

### Aprobări / certificate


#### Country specific Approvals

Nume



Supus modificărilor.

WAGO Kontakttechnik GmbH & Co. KG  
 /Representative Office Romania  
 Sos. Pipera-Tunari nr. 1/1  
 building 1, 2nd floor | 077190 Voluntari, Ilfov  
 Tel.: +40-(0)31 421 85 68 | Email: info-RO@wago.com


Aveți întrebări despre produsele noastre?  
 Vă stăm la dispoziție pentru preluarea apelului la +40 (0) 31 421 85 68.

| Emblemă  | Aprobare                               | Text de aprobare suplimentar | certificat    |
|--|--|------------------------------|---------------|
|  | <b>CCA</b><br>DEKRA Certification B.V. | EN 61535                     | 71-<br>102984 |

### Ship Approvals

| Emblemă  | Aprobare  | Text de aprobare suplimentar | Nume certificat          |
|--|---|------------------------------|--------------------------|
|  | <b>ABS</b><br>American Bureau of Shipping               | Steel Vessel Rules           | 19-<br>HG1869855-<br>PDA |
|  | <b>DNV GL</b><br>Det Norske Veritas, Germanischer Lloyd | -                            | TAE00001Z6               |

### UL-Approvals

| Emblemă  | Aprobare                                       | Text de aprobare suplimentar | Nume certificat |
|--|--|------------------------------|-----------------|
|  | <b>cURus</b><br>Underwriters Laboratories Inc. | UL 1977                      | E45171          |

### Counterpart

#### Descărcări CAD/CAE-Data

##### CAD data

| 2D/3D Models 890-603 | URL | Descărcare |
|----------------------|-----|------------|
|                      |     |            |

##### CAE data

| WSCAD Universe 890-603 | URL | Descărcare |
|------------------------|-----|------------|
|                        |     |            |

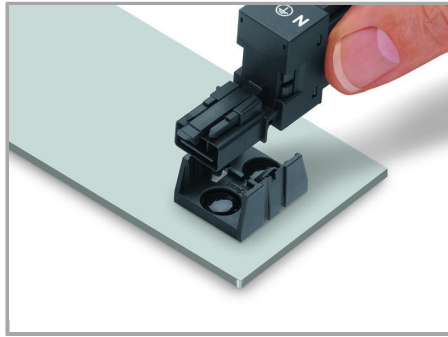
### Installation Notes

#### Installation

Supus modificărilor.

WAGO Kontakttechnik GmbH & Co. KG  
/Representative Office Romania  
Sos. Pipera-Tunari nr. 1/1  
building 1, 2nd floor | 077190 Voluntari, Ilfov  
Tel.: +40-(0)31 421 85 68 | Email: info-RO@wago.com

Aveți întrebări despre produsele noastre?  
Vă stăm la dispoziție pentru preluarea apelului la +40 (0) 31 421 85 68.



Secure the mounting plate via pins.

### Familie de produse

*WINSTA*® MINI

Afișare globală produse din familie.

Supus modificărilor.