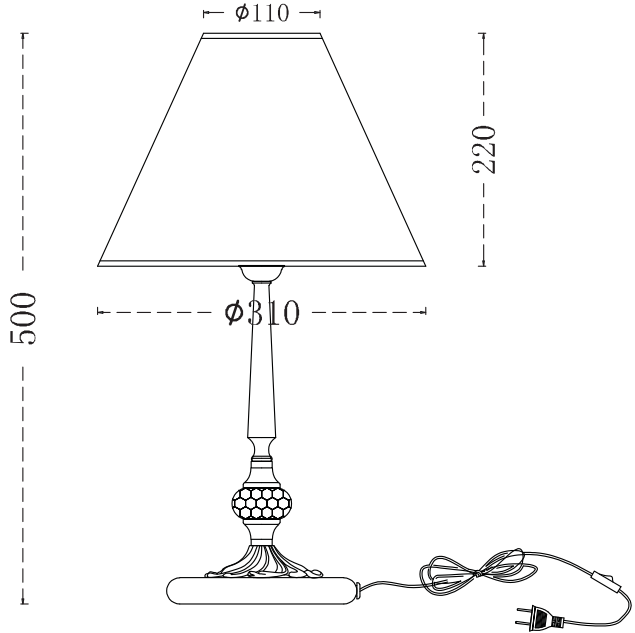
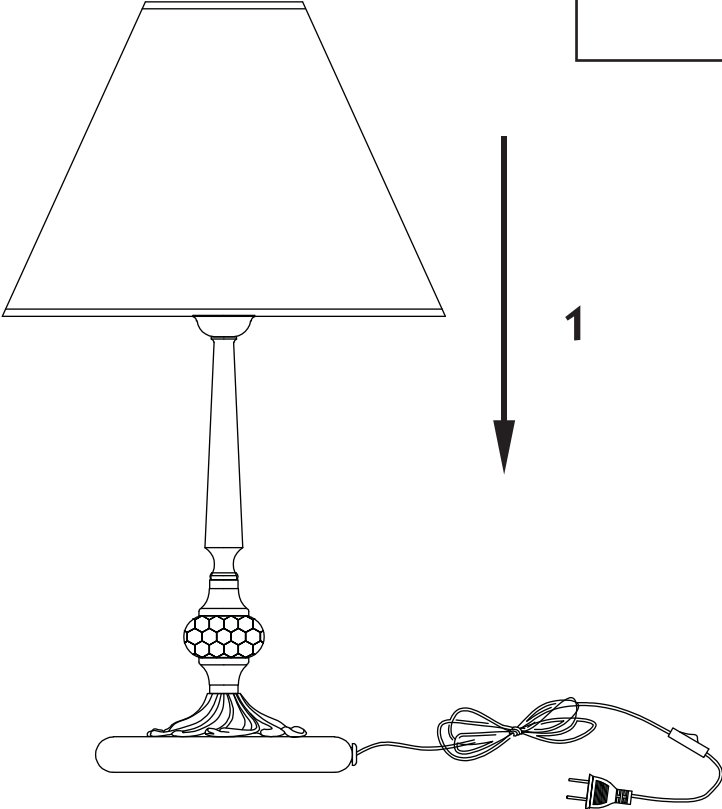



# Instruction

Collection: Royal Classic  
Series: Chester  
Model: RC0100-TL-01-R  
Mobile



  
1 x E14 (60w)

**MAYTONI**  
DECORATIVE LIGHTING

[www.maytoni.de](http://www.maytoni.de)