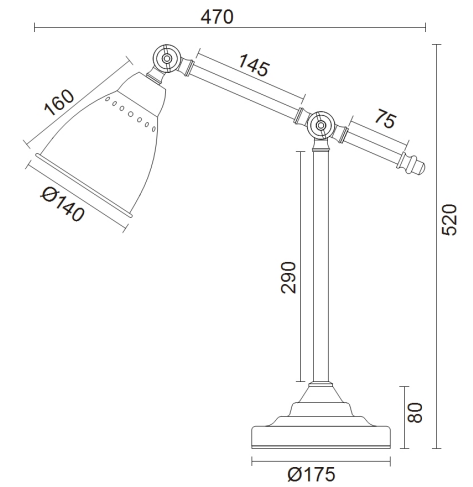
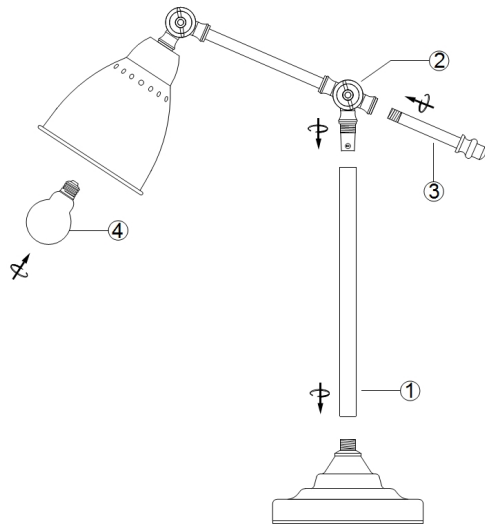


# Instruction

Collection: MODERN  
Series: DOMINO  
Model: MOD142-TL-01-N  
Mobile



- Mobile



1 x E27 (40W)

**MAYTONI**  
DECORATIVE LIGHTING

[www.maytoni.de](http://www.maytoni.de)