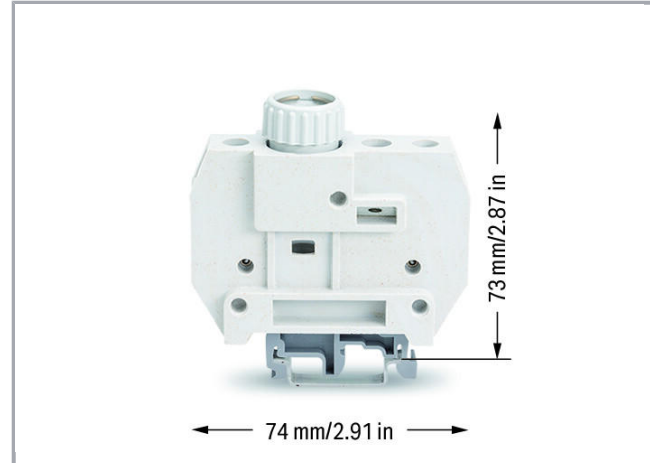


Fișă tehnică | Număr articol: 400-416/416-299

3-conductor fuse terminal block; without blown fuse indication; for DIN-rail
35 x 15 and 35 x 7.5; 10,00 mm²; light gray

www.wago.com/400-416/416-299



RoHS Compliant

BOMcheck.net

Culoare:

Date

Electrical data

Ratings per IEC/EN 60664-1

Nominal voltage (III/3)	800 V
Rated surge voltage (III/3)	8 kV
Rated current	32 A
Legend (ratings)	(III / 3) ≙ Overvoltage category III / Pollution degree 3

Supus modificărilor.

WAGO Kontakttechnik GmbH & Co. KG
/Representative Office Romania
Sos. Pipera-Tunari nr. 1/1
building 1, 2nd floor | 077190 Voluntari, Ilfov
Tel.: +40-(0)31 421 85 68 | Email: info-RO@wago.com

Aveți întrebări despre produsele noastre?
Vă stăm la dispoziție pentru preluarea apelului la +40 (0) 31 421 85 68.



Connection data

Connection technology	Screw-clamp connection/Studs
Actuation type	Operating tool
Connectable conductor materials	Copper
Solid conductor	0.2 ... 10 mm ² / 24 ... 8 AWG
Strip length	13 mm / 0.51 inch
Total number of connection points	2
Total number of potentials	1
Number of levels	1
Wiring type	Side-entry wiring

Geometrical Data

Width	24 mm / 0.945 inch
Height from upper-edge of DIN-rail	73 mm / 2.874 inch
Depth	74 mm / 2.913 inch

Mechanical data

Design	horizontal
Mounting type	DIN-35 rail

Material Data

Color	light gray
Weight	98,4 g

Commercial data

Product Group	1 (Rail Mounted Terminal Blocks)
Packaging type	BOX
Country of origin	FR
GTIN	4017332280501
Customs tariff number	85369095990

Counterpart

Produse compatibile

Marking accessories

Supus modificărilor.

WAGO Kontakttechnik GmbH & Co. KG
/Representative Office Romania
Sos. Pipera-Tunari nr. 1/1
building 1, 2nd floor | 077190 Voluntari, Ilfov
Tel.: +40-(0)31 421 85 68 | Email: info-RO@wago.com

Aveți întrebări despre produsele noastre?
Vă stăm la dispoziție pentru preluarea apelului la +40 (0) 31 421 85 68.

**Nr. articol: 209-501**

WSB marking card; as card; not stretchable; plain; snap-on type; white

www.wago.com/209-501**Nr. articol: 209-501/000-002**

WSB marking card; as card; not stretchable; plain; snap-on type; yellow

www.wago.com/209-501/000-002**Nr. articol: 209-501/000-005**

WSB marking card; as card; not stretchable; plain; snap-on type; red

www.wago.com/209-501/000-005**Nr. articol: 209-501/000-006**

WSB marking card; as card; not stretchable; plain; snap-on type; blue

www.wago.com/209-501/000-006**Nr. articol: 209-501/000-007**

WSB marking card; as card; not stretchable; plain; snap-on type; gray

www.wago.com/209-501/000-007**Nr. articol: 209-501/000-012**

WSB marking card; as card; not stretchable; plain; snap-on type; orange

www.wago.com/209-501/000-012**Nr. articol: 209-501/000-017**

WSB marking card; as card; not stretchable; plain; snap-on type; light green

www.wago.com/209-501/000-017**Nr. articol: 209-501/000-023**

WSB marking card; as card; not stretchable; plain; snap-on type; green

www.wago.com/209-501/000-023**Nr. articol: 209-501/000-024**

WSB marking card; as card; not stretchable; plain; snap-on type; violet

www.wago.com/209-501/000-024

Descărcări

Documentation

Additional Information

Technical explanations	Apr 3, 2019	pdf 2,1 MB	Descărcare
------------------------	-------------	---------------	------------

CAD/CAE-Data

CAE data

EPLAN Data Portal 400-416/416-299	URL	Descărcare
WSCAD Universe 400-416/416-299	URL	Descărcare

Supus modificărilor.

WAGO Kontakttechnik GmbH & Co. KG
 /Representative Office Romania
 Sos. Pipera-Tunari nr. 1/1
 building 1, 2nd floor | 077190 Voluntari, Ilfov
 Tel.: +40-(0)31 421 85 68 | Email: info-RO@wago.com

Aveți întrebări despre produsele noastre?
 Vă stăm la dispoziție pentru preluarea apelului la +40 (0) 31 421 85 68.



Installation Notes

Supus modificărilor.

WAGO Kontakttechnik GmbH & Co. KG
/Representative Office Romania
Sos. Pipera-Tunari nr. 1/1
building 1, 2nd floor | 077190 Voluntari, Ilfov
Tel.: +40-(0)31 421 85 68 | Email: info-RO@wago.com

Aveți întrebări despre produsele noastre?
Vă stăm la dispoziție pentru preluarea apelului la +40 (0) 31 421 85 68.