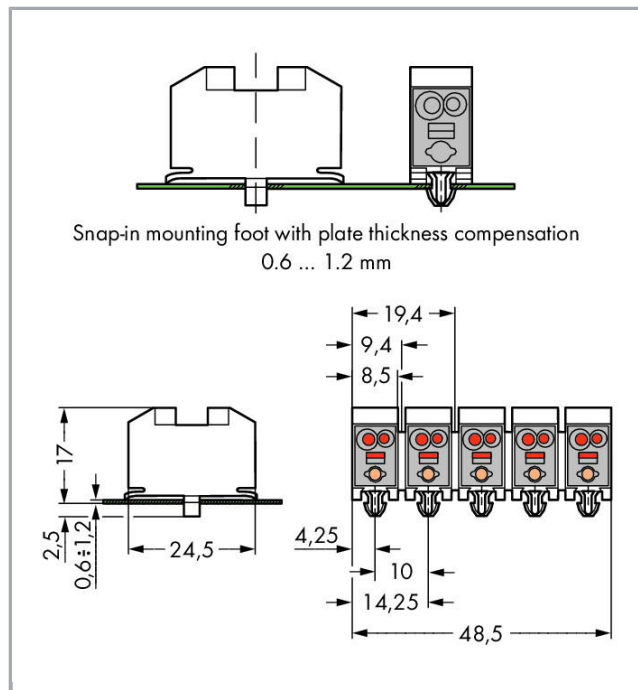


RoHS  Compliant

BOMcheck.net



Snap-in mounting foot with plate thickness compensation  
0.6 ... 1.2 mm

## Date

## Electrical data

### Ratings per IEC/EN 60664-1

Rated voltage (III/2)	400 V
Rated surge voltage (III/2)	4 kV
Rated current	26 A
Legend (ratings)	(III / 2) ≙ Overvoltage category III / Pollution degree 2

### Approvals per UL 1059

Approvals per	UL 1059
---------------	---------

### Connection data

Connection technology	PUSH WIRE®
Strip length	8 ... 9 mm / 0.31 ... 0.35 inch

Supus modificărilor.

WAGO Kontakttechnik GmbH & Co. KG  
/Representative Office Romania  
Sos. Pipera-Tunari nr. 1/1  
building 1, 2nd floor | 077190 Voluntari, Ilfov  
Tel.: +40-(0)31 421 85 68 | Email: info-RO@wago.com

Aveți întrebări despre produsele noastre?  
Vă stăm la dispoziție pentru preluarea apelului la +40 (0) 31 421 85 68.

Pole No.	3
Total number of connection points	12
Total number of potentials	3
Number of connection types	1

### Geometrical Data

Width	28,5 mm / 1.122 inch
Height	19,5 mm / 0.767 inch
Depth	24,5 mm / 0.965 inch

### Material Data


Fire load	0,164 MJ
Weight	10,1 g

### Commercial data

Product Group	8 (Misc. Chassis Mount Blocks)
Packaging type	bag
Country of origin	DE
GTIN	4044918434669
Customs tariff number	85369010000

### Aprobări / certificate

#### Country specific Approvals

Emblemă	Aprobare	Text de aprobare suplimentar	Nume certificat
	CSA DEKRA Certification B.V.	C22.2 No. 158	70048844

### Counterpart

### Produse compatibile

#### assembling

Supus modificărilor.

WAGO Kontakttechnik GmbH & Co. KG  
/Representative Office Romania  
Sos. Pipera-Tunari nr. 1/1  
building 1, 2nd floor | 077190 Voluntari, Ilfov  
Tel.: +40-(0)31 421 85 68 | Email: info-RO@wago.com

Aveți întrebări despre produsele noastre?  
Vă stăm la dispoziție pentru preluarea apelului la +40 (0) 31 421 85 68.



Nr. articol: 271-702  
Pins; for plate thickness 1 mm

[www.wago.com/271-702](http://www.wago.com/271-702)



Nr. articol: 271-711  
Pins; for plate thickness 1 mm

[www.wago.com/271-711](http://www.wago.com/271-711)



Nr. articol: 271-712  
Pins; for plate thickness 1.5 mm

[www.wago.com/271-712](http://www.wago.com/271-712)

#### tools



Nr. articol: 271-120  
Push-button; for retrofitting; loose

[www.wago.com/271-120](http://www.wago.com/271-120)

## Descărcări

### Documentation

#### Additional Information

Technical explanations

Apr 3, 2019

pdf  
3,6 MB

Descărcare

## Installation Notes

Supus modificărilor.