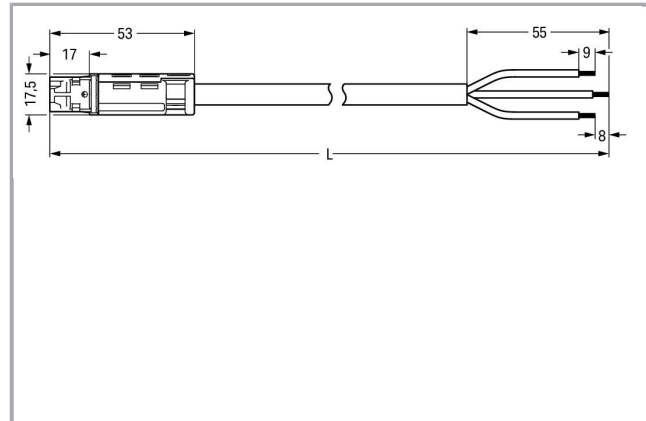
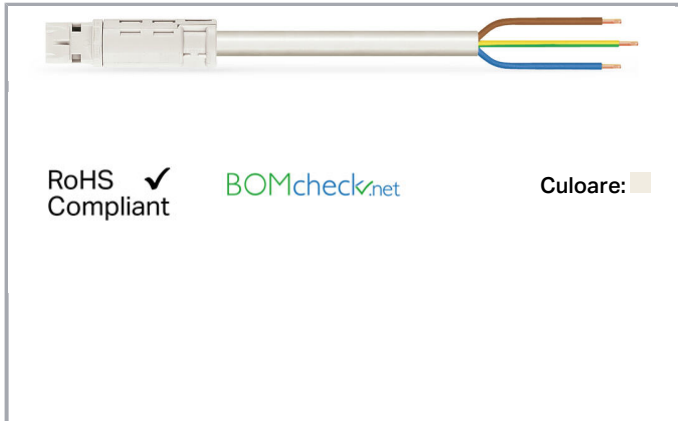


## Fișă tehnică | Număr articol: 774-9993/216-202

pre-assembled connecting cable; Eca; Plug/open-ended; 3-pole; Cod. A;  
H05Z1Z1-F 3G 1.5 mm<sup>2</sup>; 2 m; 1,50 mm<sup>2</sup>; white



[www.wago.com/774-9993/216-202](http://www.wago.com/774-9993/216-202)



### Descriere articol

- For round conduits and ducts
- 3- and 4-pole preassembled cables with 17.5 mm outer diameter for easy plug & play
- Plug-in integration into the electrical installation of hollow-wall boxes via adapter, for example

### Note:

Cables with a different fire class can be found in the eShop.

### Note on mismatching protection:

All WINSTA<sup>®</sup> components are 100% protected against mismatching when:

- plugging different numbers of poles
- plugging while incorrectly rotated
- plugging while laterally staggered

### Date

#### Electrical data

Note on Contact Resistance

approx. 1 mΩ of contact resistance approx. 0.25 mΩ contact transition plug/socket

Supus modificărilor.

WAGO Kontakttechnik GmbH & Co. KG  
/Representative Office Romania  
Sos. Pipera-Tunari nr. 1/1  
building 1, 2nd floor | 077190 Voluntari, Ilfov  
Tel.: +40-(0)31 421 85 68 | Email: info-RO@wago.com

Aveți întrebări despre produsele noastre?  
Vă stăm la dispoziție pentru preluarea apelului la +40 (0) 31 421 85 68.



## Ratings per IEC/EN 60664-1

|                             |   |
|-----------------------------|---|
| Ratings per                 | IEC/EN 60664-1  |
| Nominal voltage (III/3)     | 250 V   |
| Rated surge voltage (III/3) | 4 kV  |
| Rated current               | 16 A  |
| Legend (ratings)            | (III / 3) ≙ Overvoltage category III / Pollution degree 3 |

## Connection data

|                                 |                               |
|---------------------------------|-------------------------------|
| Strip length                    | 9 mm / 0.35 inch              |
| Pole No.                        | 3                             |
| Total number of potentials      | 3                             |
| Ground function                 | with preceding ground contact |
| Conductor preparation           | tip-bonded                    |
| Sheathed cable diameter         | 7,4 ... 9,4 mm                |
| Wire cross-section              | 1,5 mm <sup>2</sup>           |
| Strip length (outer insulation) | 55 mm                         |
| Connection type                 | Plug - Free end               |

## Geometrical Data

|              |     |
|--------------|-----|
| Total length | 2 m |
|--------------|-----|

## Mechanical data

|   |   |
|---|---|
| Mating force of a plug-in connection    | approx. 30 ... 70 N (depending on pole number)  |
| Retention force of a plug-in connection | when locked: > 80N  |
| Unmating force of a plug-in connection  | when unlocked: approx. 30 ... 70 N (depending on pole number)   |
| Number of mating cycles                 | 200, without resistive load<br>100, with resistive load $I_N = 20$ A, tested (2.5mm <sup>2</sup> /AWG 14) |

|                             |  |
|-----------------------------|--|
| Connection type             | Plug - free end  |
| Type of pre-assembled cable | Connecting cable   |
| Cable type                  | H05Z1Z1-F 3G1.5  |
| Marking                     | L N  |
| Protection type             | IP20   |
| Note on protection type     | Only when mated (these compact connectors are not designed for |

Supus modificărilor.

WAGO Kontakttechnik GmbH & Co. KG  
/Representative Office Romania  
Sos. Pipera-Tunari nr. 1/1  
building 1, 2nd floor | 077190 Voluntari, Ilfov  
Tel.: +40-(0)31 421 85 68 | Email: info-RO@wago.com

Aveți întrebări despre produsele noastre?  
Vă stăm la dispoziție pentru preluarea apelului la +40 (0) 31 421 85 68.



use in open, easily accessible areas).

|             |                            |
|-------------|----------------------------|
| Application | General mains applications |
|-------------|----------------------------|

## Plug connection

|                               |               |
|-------------------------------|---------------|
| Mismating protection          | Yes           |
| Locking of plug-in connection | locking lever |

## Material Data

|                         |  |
|-------------------------|--|
| Color                   | white                                    |
| Insulation material     | Polyamide 66 (PA 66)                     |
| Fire class per EN 50575 | E <sub>ca</sub>                          |
| Contact material        | Copper or copper alloy (surface-treated) |
| Fire load               | 3,281 MJ                                 |
| Connector color         | white                                    |
| Strain relief color     | white                                    |
| Halogen-free            | Yes                                      |
| Weight                  | 195,5 g                                  |

## Environmental Requirements

|  |   |
|--|---|
| Processing temperature                   | -5 ... +40 °C   |
| Continuous operating temperature         | -35 ... +85 °C  |
| Note on continuous operating temperature | PVC cable for temperatures ≤ 70 °C (including halogen-free)<br>Insulating parts for temperatures ≤ 105 °C |

## Commercial data

|                       |               |
|-----------------------|---------------|
| Packaging type        | not packed    |
| Country of origin     | DE            |
| GTIN                  | 4045454324636 |
| Customs tariff number | 85444290900   |

## Counterpart

### Descărcări

#### CAD/CAE-Data

#### CAD data

Supus modificărilor.

WAGO Kontakttechnik GmbH & Co. KG  
/Representative Office Romania  
Sos. Pipera-Tunari nr. 1/1  
building 1, 2nd floor | 077190 Voluntari, Ilfov  
Tel.: +40-(0)31 421 85 68 | Email: info-RO@wago.com

Aveți întrebări despre produsele noastre?  
Vă stăm la dispoziție pentru preluarea apelului la +40 (0) 31 421 85 68.



2D/3D Models 774-9993/216-202

[URL](#)

[Descărcare](#)

#### CAE data

WSCAD Universe 774-9993/216-202

[URL](#)

[Descărcare](#)

## Installation Notes

## Familie de produse

*WINSTA*® RD

Afișare globală produse din familie.

Supus modificărilor.