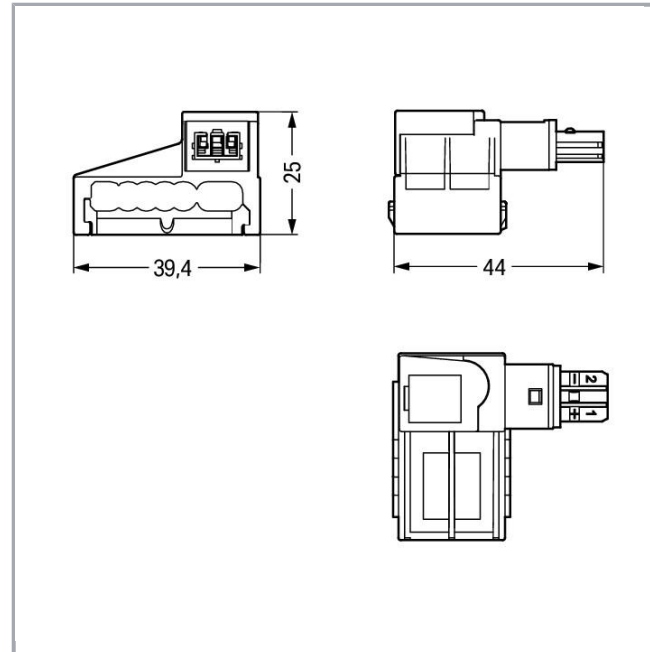


Fișă tehnică | Număr articol: 893-269

Tap-off module; 2-pole; for plug connectors and wire assemblies WINSTA®
knx coding f; 1 Nm tightening torque; with screw-type connection; light gray

www.wago.com/893-269



RoHS Compliant

[BOMcheck.net](https://www.bomcheck.net)

Culoare:

Descriere articol

- Suitable for bus and power lines or for bus and power combined in one cable
- Easy installation without line interruption due to convenient insulation displacement technology (IDC)
- WINSTA® IDC Supply and Tap-Off Modules allow connection at any location of the flat cable – one rotation per pole is all that is required

Note on mismatching protection:

Supus modificărilor.

WAGO Kontakttechnik GmbH & Co. KG
/Representative Office Romania
Sos. Pipera-Tunari nr. 1/1
building 1, 2nd floor | 077190 Voluntari, Ilfov
Tel.: +40-(0)31 421 85 68 | Email: info-RO@wago.com

Aveți întrebări despre produsele noastre?
Vă stăm la dispoziție pentru preluarea apelului la +40 (0) 31 421 85 68.



All WINSTA[®] components are 100% protected against mismatching when:

- a.) plugging different numbers of poles
- b.) plugging while rotated 180
- c.) plugging while laterally staggered
- d.) plugging one pole

Date

Electrical data

Note on Contact Resistance

approx. 1 mΩ of contact resistance approx. 0.25 mΩ contact transition plug/socket

Ratings per IEC/EN 60664-1

Ratings per	IEC/EN 60664-1
Nominal voltage (III/3)	50 V
Rated surge voltage (III/3)	0,8 kV
Rated current	3 A
Legend (ratings)	(III / 3) ≙ Overvoltage category III / Pollution degree 3

Connection data

Connection technology	IDC
Actuation type	Operating tool
Pole No.	2

Geometrical Data

Width	39,4 mm / 1.551 inch
Height	25 mm / 0.984 inch
Depth	44 mm / 1.732 inch

Mechanical data

Technologie	KNX
Coding	F
Mating force of a plug-in connection	approx. 10 ... 15 N
Retention force of a plug-in connection	When locked: > 80 N
Unmating force of a plug-in connection	when unlocked: approx. 15 ... 20 N
Number of mating cycles	200

Supus modificărilor.

WAGO Kontakttechnik GmbH & Co. KG
 /Representative Office Romania
 Sos. Pipera-Tunari nr. 1/1
 building 1, 2nd floor | 077190 Voluntari, Ilfov
 Tel.: +40-(0)31 421 85 68 | Email: info-RO@wago.com

Aveți întrebări despre produsele noastre?
 Vă stăm la dispoziție pentru preluarea apelului la +40 (0) 31 421 85 68.



Marking	1+ 2-
Protection type	IP20
Note on protection type	Only when mated (these compact connectors are not designed for use in open, easily accessible areas).
Potential marking	1+ 2-
Application	KNX
Suitable	for flat cable 5 x 2.5 mm ² + 2 x 1.5 mm ²

Plug connection

Mismatching protection	Yes
Locking of plug-in connection	locking lever

Material Data

Color	light gray
Insulation material	Polyamide 66 (PA 66)
Fire class per EN 50575	E _{ca}
Contact material	Copper or copper alloy (surface-treated)
Weight	19 g

Environmental Requirements

Processing temperature	-5 ... +40 °C
Continuous operating temperature	-35 ... +85 °C
Note on continuous operating temperature	PVC cable for temperatures ≤ 70 °C (including halogen-free) PVC flat cable for temperatures -15 °C to ≤ 70 °C (including halogen-free) Insulating parts for temperatures ≤ 105 °C

Commercial data

Product Group	20 (WINSTA)
Packaging type	BOX
Country of origin	CH
GTIN	4045454267308
Customs tariff number	85366990990

Supus modificărilor.

WAGO Kontakttechnik GmbH & Co. KG
 /Representative Office Romania
 Sos. Pipera-Tunari nr. 1/1
 building 1, 2nd floor | 077190 Voluntari, Ilfov
 Tel.: +40-(0)31 421 85 68 | Email: info-RO@wago.com

Aveți întrebări despre produsele noastre?
 Vă stăm la dispoziție pentru preluarea apelului la +40 (0) 31 421 85 68.

Counterpart



Nr. articol 893-1032

Plug; with strain relief housing; 2-pole; Cod. F; light gray

www.wago.com/893-1032

Produse compatibile

wiring and connectors



Nr. articol: 897-261

Flat cable; 5G 2.5 mm² + 2 x 1.5 mm²; PVC; 3L + N + PE + 2 buses; 0.6/1 kV; 2,50 mm²; violet

www.wago.com/897-261



Nr. articol: 897-262

Flat cable; 5G 2.5 mm² + 2 x 1.5 mm²; halogen-free; 3L + N + PE + 2 buses; 0.6/1 kV; 2,50 mm²; violet

www.wago.com/897-262

Descărcări

CAD/CAE-Data

CAE data

EPLAN Data Portal 893-269

URL

Descărcare

WSCAD Universe 893-269

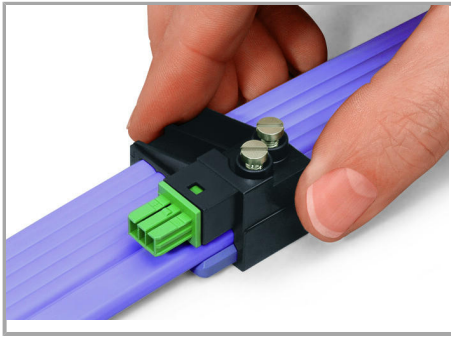
URL

Descărcare

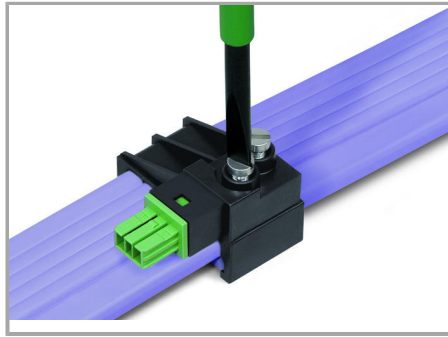
Installation Notes

Conductor termination

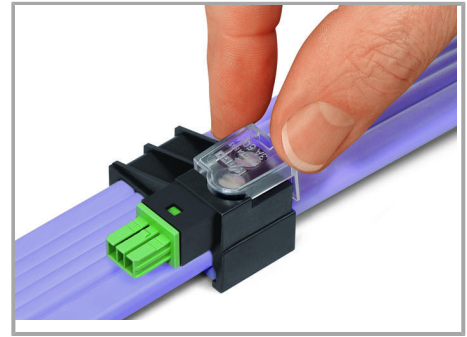
Supus modificărilor.



The IDC module can only be mounted if the two codings match each other.



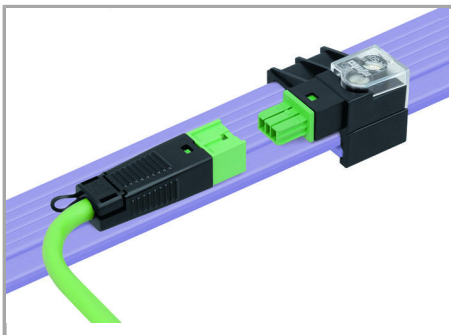
Tighten the screws to connect the flat cable.



Snap the transparent protective cover onto the module.

Observe 1 Nm of tightening torque!

Should the IDC module jam during mounting, turn the module by 180° and remount it, flush with the base.



Connect the cable assembly to the module.

Familie de produse

WINSTA® IDC

Afișare globală produse din familie.

Supus modificărilor.