

Fișă tehnică | Număr articol: 772-272

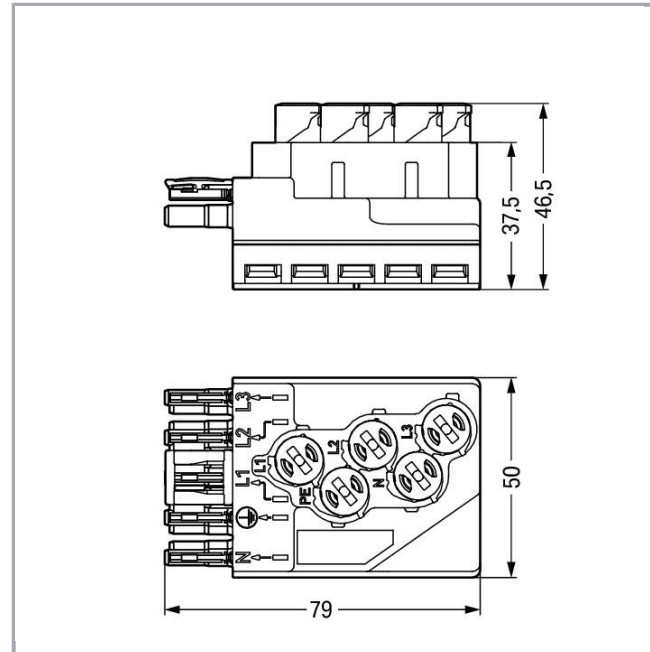
Tap-off module; for flat cable; 5 x 2.5 mm² + 2 x 1.5 mm²; 5-pole; Cod. I; with cable connection on the output side; blue

www.wago.com/772-272



RoHS Compliant

Culoare:



Descriere articol

- Suitable for bus and power lines or for bus and power combined in one cable
- Easy installation without line interruption due to convenient insulation displacement technology (IDC)
- WINSTA® IDC Supply and Tap-Off Modules allow connection at any location of the flat cable – one rotation per pole is all that is required

Note on mismatching protection:

All WINSTA® components are 100% protected against mismatching when:

- a.) plugging different numbers of poles
- b.) plugging while rotated 180
- c.) plugging while laterally staggered
- d.) plugging one pole

Supus modificărilor.

WAGO Kontakttechnik GmbH & Co. KG
/Representative Office Romania
Sos. Pipera-Tunari nr. 1/1
building 1, 2nd floor | 077190 Voluntari, Ilfov
Tel.: +40-(0)31 421 85 68 | Email: info-RO@wago.com

Aveți întrebări despre produsele noastre?
Vă stăm la dispoziție pentru preluarea apelului la +40 (0) 31 421 85 68.

**Date****Electrical data**

Note on Contact Resistance	approx. 1 mΩ of contact resistance approx. 0.25 mΩ contact transition plug/socket
----------------------------	---

Ratings per IEC/EN 60664-1

Ratings per	IEC/EN 60664-1
Nominal voltage (III/3)	400 V
Rated surge voltage (III/3)	6 kV
Rated current	25 A
Legend (ratings)	(III / 3) ≙ Overvoltage category III / Pollution degree 3

Connection data

Connection technology	IDC
Actuation type	Operating tool
Pole No.	5
Total number of potentials	5

Geometrical Data

Width	50 mm / 1.969 inch
Height	46,5 mm / 1.831 inch
Depth	79 mm / 3.11 inch

Mechanical data

Technologie	DALI
Coding	I
Mating force of a plug-in connection	approx. 30 ... 70 N (depending on pole number)
Retention force of a plug-in connection	When locked: > 80 N
Unmating force of a plug-in connection	when unlocked: approx. 15 ... 20 N
Number of mating cycles	200, without resistive load 100, with resistive load $I_N = 25$ A, tested (4 mm ² /12 AWG)
Marking	N L DA- DA+

Supus modificărilor.

WAGO Kontakttechnik GmbH & Co. KG
 /Representative Office Romania
 Sos. Pipera-Tunari nr. 1/1
 building 1, 2nd floor | 077190 Voluntari, Ilfov
 Tel.: +40-(0)31 421 85 68 | Email: info-RO@wago.com

Aveți întrebări despre produsele noastre?
 Vă stăm la dispoziție pentru preluarea apelului la +40 (0) 31 421 85 68.

Protection type	IP20
Note on protection type	Only when mated (these compact connectors are not designed for use in open, easily accessible areas).
Potential marking	N L DA- DA+
Application	Lighting management
Suitable	for flat cable 5 x 2.5 mm ² , 5 x 4 mm ² , 5 x 2.5 mm ² + 2 x 1.5 mm ²

Plug connection

Mismating protection	Yes
Locking of plug-in connection	locking lever

Material Data

Color	blue
Insulation material	Polyamide 66 (PA 66)
Contact material	Copper or copper alloy (surface-treated)
Fire load	1,846 MJ
Weight	82 g

Environmental Requirements

Processing temperature	-5 ... +40 °C
Continuous operating temperature	-35 ... +85 °C
Note on continuous operating temperature	PVC cable for temperatures ≤ 70 °C (including halogen-free) PVC flat cable for temperatures -15 °C to ≤ 70 °C (including halogen-free) Insulating parts for temperatures ≤ 105 °C

Commercial data

Product Group	20 (WINSTA)
Packaging type	not packed
Country of origin	DE
GTIN	4055143174688
Customs tariff number	85366990990

Counterpart



Nr. articol770-1115

Plug; 5-pole; Cod. I; 4,00 mm²; blue

www.wago.com/770-1115



Nr. articol770-1115/022-000

Plug; with strain relief housing; 5-pole; Cod. I; 4,00 mm²; blue

www.wago.com/770-1115

/022-000

Supus modificărilor.

**Nr. articol**771-9985/006-101pre-assembled interconnecting cable; Eca; Socket/plug; 5-pole; Cod. I; H05VV-F 5G 1.5 mm²; 1 m; 1,50 mm²; bluewww.wago.com/771-9985/006-101**Nr. articol**771-9985/206-101pre-assembled connecting cable; Eca; Plug/open-ended; 5-pole; Cod. I; H05VV-F 5G 1.5 mm²; 1 m; 1,50 mm²; bluewww.wago.com/771-9985/206-101

Produce compatibile

wiring and connectors

**Nr. articol:** 897-251pre-assembled flat cable; Eca; 5G 2.5 mm²; PVC; 3L + N + PE; 0.6/1 kV; 2,50 mm²; acid greenwww.wago.com/897-251**Nr. articol:** 897-252pre-assembled flat cable; B2ca; 5G 2.5 mm²; halogen-free; 3L + N + PE; 0.6/1 kV; 2,50 mm²; acid greenwww.wago.com/897-252**Nr. articol:** 897-261Flat cable; 5G 2.5 mm² + 2 x 1.5 mm²; PVC; 3L + N + PE + 2 buses; 0.6/1 kV; 2,50 mm²; violetwww.wago.com/897-261**Nr. articol:** 897-262Flat cable; 5G 2.5 mm² + 2 x 1.5 mm²; halogen-free; 3L + N + PE + 2 buses; 0.6/1 kV; 2,50 mm²; violetwww.wago.com/897-262**Nr. articol:** 897-453Flat cable; 5G 4 mm²; halogen-free; 3L + N + PE; 0.6/1 kV; 4,00 mm²; blackwww.wago.com/897-453

tools

**Nr. articol:** 210-635

Operating tool; Blade: 6.5 x 1.2 mm

www.wago.com/210-635**Nr. articol:** 210-636

Operating tool; Blade: 6.5 x 1.2 mm; with a partially insulated shaft

www.wago.com/210-636

Installation Notes

Conductor termination

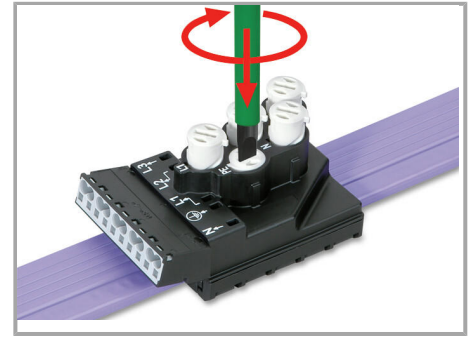
Supus modificărilor.



Insert flat cable into base (observe coding!).

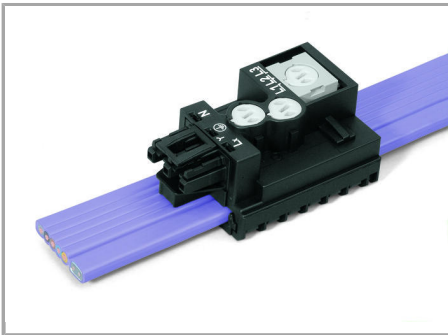


Mount IDC module flush with the base.

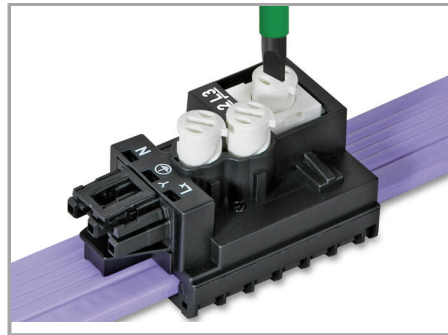


Screw down contact elements until element stops.

Should the IDC module jam during mounting, turn the upper part by 180° and remount it.

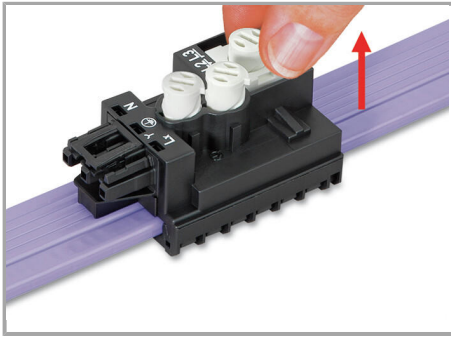


After connecting the flat cable, the IDC module is locked and can no longer be moved, even after unscrewing the contact element.



Notice: Should it be necessary to tap another phase, this must be done in a different location. To do so, the contact elements must be unscrewed and brought back to their original position.

Supus modificărilor.



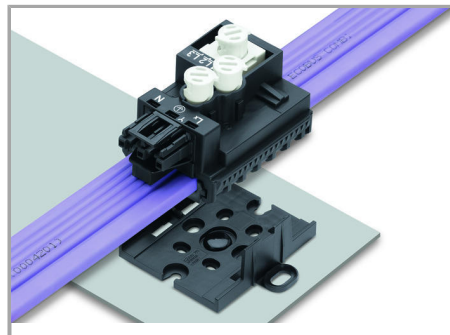
Lift contact element to unlock phase selector and select the new phase.

Notice: Do not reuse in the same location of the flat cable.

Installation



The mounting plate can be centrally mounted, or attached via outboard attachment points using 770-601 Mounting Pins.



Snapping a supply or tap-off module onto a mounting plate.

Safety

Supus modificărilor.



After removing the module, the contact holes in the flat cable must be sealed using insulating tape.

Familie de produse

WINSTA® IDC

Afișare globală produse din familie.

Supus modificărilor.