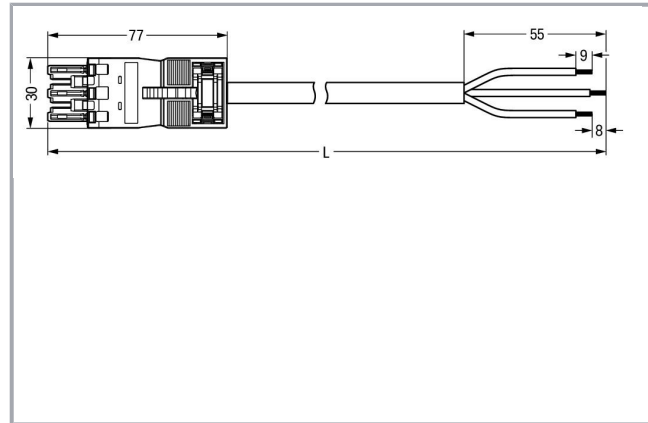
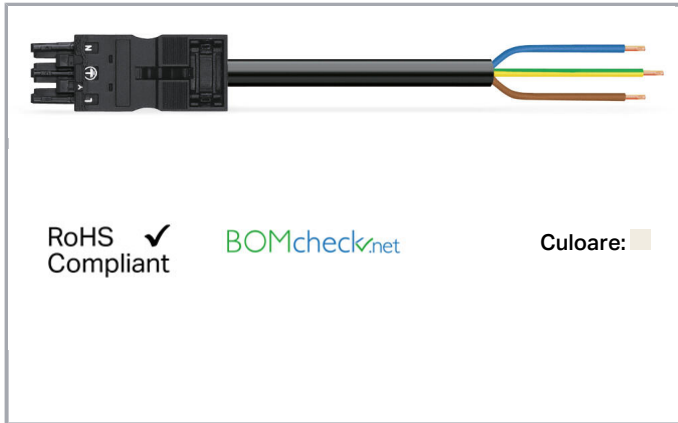


## Fișă tehnică | Număr articol: 771-6993/107-602

pre-assembled connecting cable; Eca; Socket/open-ended; 3-pole; Cod. A;  
H05VV-F 3G 2.5 mm<sup>2</sup>; 6 m; 2,50 mm<sup>2</sup>; white



[www.wago.com/771-6993/107-602](http://www.wago.com/771-6993/107-602)



### Descriere articol

- Protected against mismatching and maintenance-free
- Push-in CAGE CLAMP® spring pressure connection technology allows solid conductors to be simply pushed into a unit
- Two-wire connection per pole for loops or bridges
- Additional variable coding is possible

### Note:

Cables with a different fire class can be found in the eShop.

### Note on mismatching protection:

All WINSTA® components are 100% protected against mismatching when:

- a.) plugging different numbers of poles
- b.) plugging while rotated 180
- c.) plugging while laterally staggered
- d.) plugging one pole

### Safety information 1:

Application note for the U.S. market (USR): Some versions may also be used for current interruption in accordance with the UL certificate in select applications with currents below 16 A and voltages up to 600 V. For further information, please contact your local sales office.

### Date

### Electrical data

Note on Contact Resistance

approx. 1 mΩ of contact resistance approx. 0.25 mΩ contact

Supus modificărilor.

WAGO Kontakttechnik GmbH & Co. KG  
/Representative Office Romania  
Sos. Pipera-Tunari nr. 1/1  
building 1, 2nd floor | 077190 Voluntari, Ilfov  
Tel.: +40-(0)31 421 85 68 | Email: info-RO@wago.com

Aveți întrebări despre produsele noastre?  
Vă stăm la dispoziție pentru preluarea apelului la +40 (0) 31 421 85 68.

transition plug/socket

**Ratings per IEC/EN 60664-1**

|                             |   |
|-----------------------------|---|
| Ratings per                 | IEC/EN 60664-1  |
| Nominal voltage (III/3)     | 250 V   |
| Rated surge voltage (III/3) | 4 kV  |
| Rated current               | 20 A  |
| Legend (ratings)            | (III / 3) ≙ Overvoltage category III / Pollution degree 3 |

**Approvals per UL 1977**

|                       |       |
|-----------------------|-------|
| Rated voltage UL 1977 | 600 V |
| Rated current UL 1977 | 23 A  |

**Connection data**

|                                 |                               |
|---------------------------------|-------------------------------|
| Pole No.                        | 3                             |
| Total number of potentials      | 3                             |
| Ground function                 | with preceding ground contact |
| Conductor preparation           | tip-bonded                    |
| Sheathed cable diameter         | 9,2 ... 11,4 mm               |
| Wire cross-section              | 2,5 mm <sup>2</sup>           |
| Strip length (outer insulation) | 55 mm                         |
| Connection type                 | Socket - Free end             |

**Geometrical Data**

|              |                    |
|--------------|--------------------|
| Pin spacing  | 10 mm / 0.394 inch |
| Total length | 6 m                |

**Mechanical data**

|   |  |
|---|--|
| Coding                                  | A  |
| Mating force of a plug-in connection    | approx. 20 ... 70 N (depending on pole number)   |
| Retention force of a plug-in connection | when locked: > 80N   |
| Unmating force of a plug-in connection  | when unlocked: approx. 20 ... 70 N (depending on pole number)                                    |
| Number of mating cycles                 | 200 (without resistive load) 100 (with resistive load $I_N = 25$ A), tested (4 mm <sup>2</sup> ) |
| Connection type                         | Socket - Free end  |
| Type of pre-assembled cable             | Connecting cable   |

Supus modificărilor.



|                         |   |
|-------------------------|---|
| Cable type              | H05VV-F 3G2.5   |
| Marking                 | L N   |
| Protection type         | IP 2xD  |
| Note on protection type | Only when mated (these compact connectors are not designed for use in open, easily accessible areas). |
| Potential marking       | L N   |
| Application             | General mains applications  |

### Plug connection

|                               |               |
|-------------------------------|---------------|
| Mismatching protection        | Yes           |
| Locking of plug-in connection | locking lever |
| Locking lever                 | retrofitable  |

### Material Data

|                                  |  |
|----------------------------------|--|
| Color                            | white                                    |
| Insulation material              | Polyamide 66 (PA 66)                     |
| Fire class per EN 50575          | E <sub>ca</sub>                          |
| Contact material                 | Copper or copper alloy (surface-treated) |
| Fire load                        | 16,301 MJ                                |
| Connector color                  | white                                    |
| Printing color of mating face    | black                                    |
| Strain relief color              | white                                    |
| Printing color of strain relief  | black                                    |
| Sheathed cable color             | white                                    |
| Printing color of sheathed cable | black                                    |
| Sheath material                  | PVC                                      |
| Weight                           | 967,9 g                                  |

### Environmental Requirements

|  |   |
|--|---|
| Processing temperature                   | -5 ... +40 °C   |
| Continuous operating temperature         | -35 ... +85 °C  |
| Note on continuous operating temperature | PVC cable for temperatures ≤ 70 °C (including halogen-free)<br>Insulating parts for temperatures ≤ 105 °C |

### Commercial data

|                   |            |
|-------------------|------------|
| Packaging type    | not packed |
| Country of origin | DE         |

Supus modificărilor.

WAGO Kontakttechnik GmbH & Co. KG  
/Representative Office Romania  
Sos. Pipera-Tunari nr. 1/1  
building 1, 2nd floor | 077190 Voluntari, Ilfov  
Tel.: +40-(0)31 421 85 68 | Email: info-RO@wago.com

Aveți întrebări despre produsele noastre?  
Vă stăm la dispoziție pentru preluarea apelului la +40 (0) 31 421 85 68.

|                       |               |
|-----------------------|---------------|
| GTIN                  | 4050821523888 |
| Customs tariff number | 85444290900   |

## Aprobări / certificate



### Country specific Approvals

| Embleă   | Aprobare                              | Text de aprobare suplimentar | Nume certificat |
|--|---------------------------------------|------------------------------|-----------------|
|  | CCA<br>DEKRA Certification B.V.       | EN 61535                     | NTR NL-7355     |
|  | KEMA/KEUR<br>DEKRA Certification B.V. | EN 61535                     | 2179129.01      |

## Counterpart

## Produse compatibile

### protection

|  |  |  |
|--|--|--|
|  | Nr. articol: 770-201<br>Lockout cap; 12-pole, separable; 12-pole; for sockets; black | <a href="http://www.wago.com/770-201">www.wago.com/770-201</a> |
|  | Nr. articol: 770-221<br>Lockout cap; for socket; 12-pole; separable; white           | <a href="http://www.wago.com/770-221">www.wago.com/770-221</a> |

### Marking accessories

|   |  |
|---|--|
| Nr. articol: 210-334<br>Marking strips; as a DIN A4 sheet; Strip width 5 mm; Strip length 182 mm; plain; Self-adhesive; white | <a href="http://www.wago.com/210-334">www.wago.com/210-334</a> |
|---|--|

## Descărcări

### CAD/CAE-Data

#### CAE data

| WSCAD Universe 771-6993/107-602 | URL | Descărcare |
|---------------------------------|-----|------------|
|                                 |     |            |

Supus modificărilor.



## Installation Notes

## Familie de produse

*WINSTA*® MIDI

Afișare globală produse din familie.

Supus modificărilor.

---

WAGO Kontakttechnik GmbH & Co. KG  
/Representative Office Romania  
Sos. Pipera-Tunari nr. 1/1  
building 1, 2nd floor | 077190 Voluntari, Ilfov  
Tel.: +40-(0)31 421 85 68 | Email: info-RO@wago.com

Aveți întrebări despre produsele noastre?  
Vă stăm la dispoziție pentru preluarea apelului la +40 (0) 31 421 85 68.