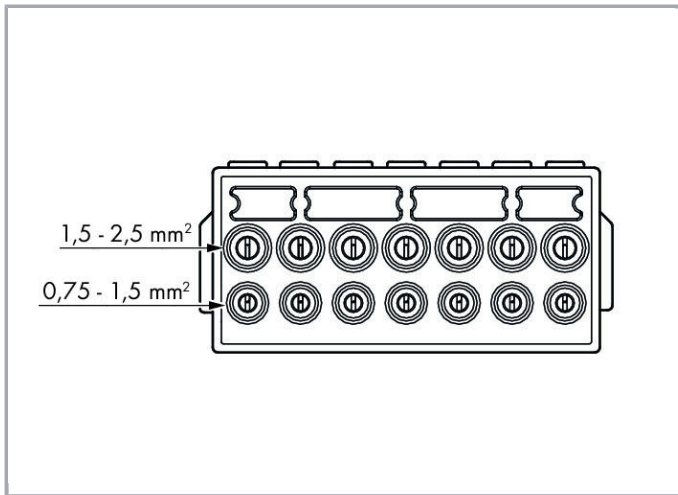
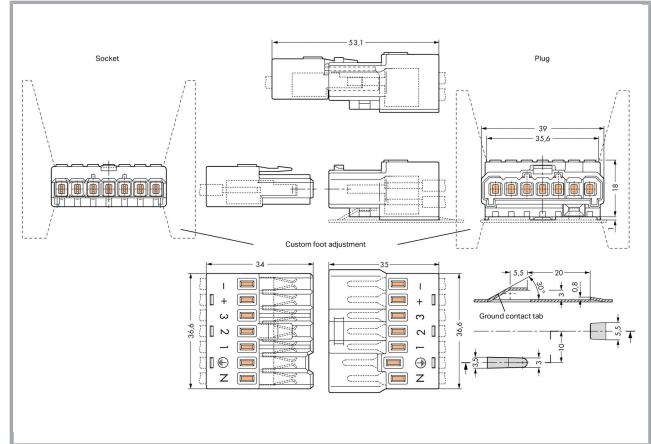
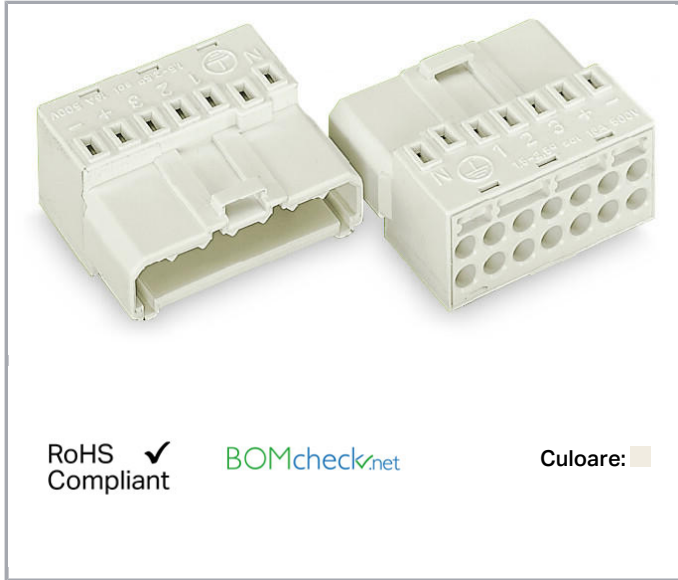


Fișă tehnică | Număr articol: 267-521
Male connector; 7-pole; 2,50 mm²; white

www.wago.com/267-521



Date

Electrical data

Ratings per IEC/EN 60664-1

| | |
|-----------------------|--------------|
| Ratings per | IEC/EN 61984 |
| Rated voltage (III/2) | 500 V |

Supus modificărilor.

WAGO Kontakttechnik GmbH & Co. KG
/Representative Office Romania
Sos. Pipera-Tunari nr. 1/1
building 1, 2nd floor | 077190 Voluntari, Ilfov
Tel.: +40-(0)31 421 85 68 | Email: info-RO@wago.com

Aveți întrebări despre produsele noastre?
Vă stăm la dispoziție pentru preluarea apelului la +40 (0) 31 421 85 68.



| | |
|-----------------------------|---|
| Rated surge voltage (III/2) | 4 kV |
| Rated current | 16 A |
| Legend (ratings) | (III / 2) $\hat{=}$ Overvoltage category III / Pollution degree 2 |

Approvals per UL 1059

| | |
|---------------|---------|
| Approvals per | UL 1059 |
|---------------|---------|

Connection data

| | |
|---|--|
| Connection type (1) | PUSH WIRE® connection |
| Connection technology | PUSH WIRE® |
| Number of connection points (connection type) | 1 |
| Solid conductor | 1,5 ... 2,5 mm ² / 16 ... 14 AWG |
| Strip length | 11 ... 12 mm / 0.43 ... 0.47 inch |
| Connection type 2 | PUSH WIRE® connection |
| Connection technology 2 | PUSH WIRE® |
| Number of connection points | 1 |
| Solid conductor 2 | 0,75 ... 1,5 mm ² / 18 ... 16 AWG |
| Strip length 2 | 11 ... 12 mm / 0.43 ... 0.47 inch |
| Number of connection types | 2 |
| Number of levels | 2 |

Geometrical Data

| | |
|-------------------------|--------------------|
| Width | 35 mm / 1.378 inch |
| Height from the surface | 18 mm / 0.709 inch |
| Depth | 39 mm / 1.535 inch |

Material Data

| | |
|-----------------------------|--|
| Color | white |
| Material group | I |
| Insulation material | Polyamide 66 (PA 66) |
| Flammability class per UL94 | V0 |
| Clamping spring material | Chrome nickel spring steel (CrNi) |
| Contact material | Electrolytic copper (E _{Cu}) |
| Contact plating | tin-plated |
| Fire load | 0,281 MJ |

Supus modificărilor.

| | |
|--------|-------|
| Weight | 19,6g |
|--------|-------|

Environmental Requirements



| | |
|-----------------------|--------|
| Temperature stability | 105 °C |
|-----------------------|--------|

Commercial data

| | |
|-----------------------|--------------------------------|
| Product Group | 8 (Misc. Chassis Mount Blocks) |
| Packaging type | BOX |
| Country of origin | PL |
| GTIN | 4050821307914 |
| Customs tariff number | 85369010000 |

Aprobări / certificate

Country specific Approvals

| Emblemă | Aprobare | Text de aprobare suplimentar | Nume certificat |
|--|--|------------------------------|-----------------|
|  | CCA DEKRA Certification B.V. | EN 61984 | 2156138.01 |
|  | VDE VDE Prüf- und Zertifizierungsinstitut | EN 61984 | 40032309 |

Counterpart

Descărcări

Documentation

Additional Information

| | | | |
|------------------------|-------------|---------------|------------|
| Technical explanations | Apr 3, 2019 | pdf 3,6 MB | Descărcare |
|------------------------|-------------|---------------|------------|

Installation Notes

Supus modificărilor.

WAGO Kontakttechnik GmbH & Co. KG
/Representative Office Romania
Sos. Pipera-Tunari nr. 1/1
building 1, 2nd floor | 077190 Voluntari, Ilfov
Tel.: +40-(0)31 421 85 68 | Email: info-RO@wago.com

Aveți întrebări despre produsele noastre?
Vă stăm la dispoziție pentru preluarea apelului la +40 (0) 31 421 85 68.