

## Fișă tehnică | Număr articol: 294-4004

Lighting connector; push-button, external; without ground contact; 4-pole;  
Lighting side: for solid conductors; Inst. side: for all conductor types; max.  
2.5 mm<sup>2</sup>; Surrounding air temperature: max 85°C (T85); 2,50 mm<sup>2</sup>; white

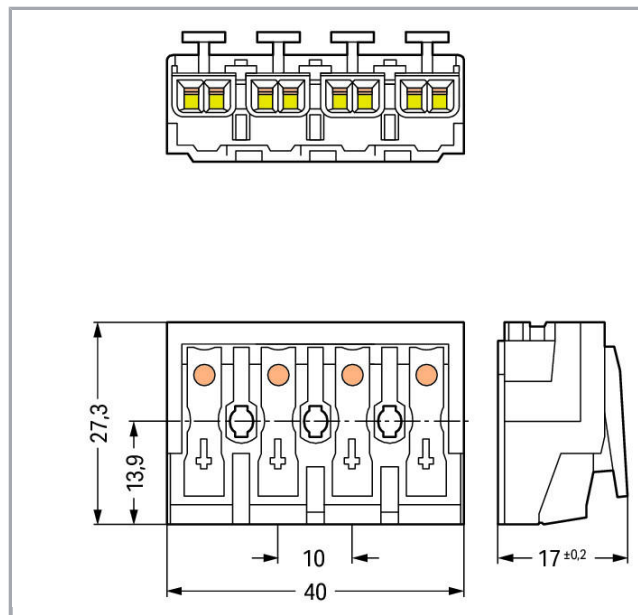
[www.wago.com/294-4004](http://www.wago.com/294-4004)



RoHS  Compliant

[BOMcheck.net](https://www.bomcheck.net)

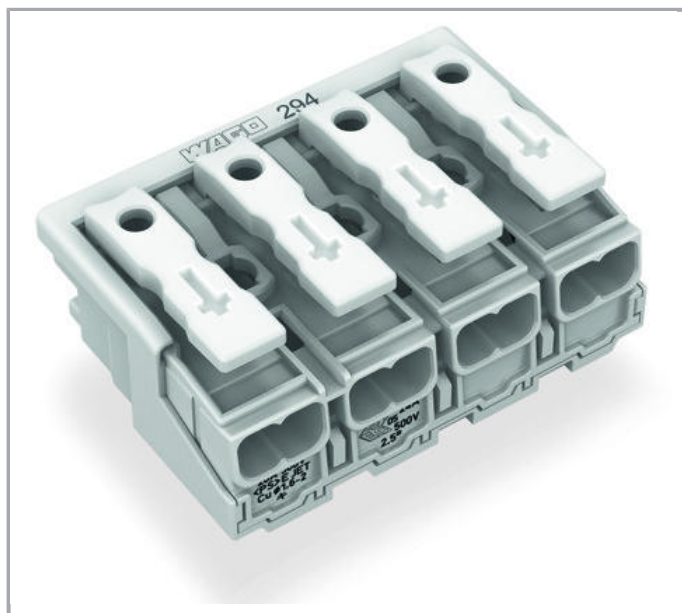
Culoare:



Supus modificărilor.

WAGO Kontakttechnik GmbH & Co. KG  
/Representative Office Romania  
Sos. Pipera-Tunari nr. 1/1  
building 1, 2nd floor | 077190 Voluntari, Ilfov  
Tel.: +40-(0)31 421 85 68 | Email: [info-RO@wago.com](mailto:info-RO@wago.com)

Aveți întrebări despre produsele noastre?  
Vă stăm la dispoziție pentru preluarea apelului la +40 (0) 31 421 85 68.



## Descriere articol

- External connection of solid, stranded and fine-stranded conductors
- Universal conductor termination (AWG, metric)
- Third contact at bottom
- Strain relief plate can be retrofitted

## Date

### Electrical data

#### Ratings per IEC/EN 60664-1

|                              |                   |
|------------------------------|-------------------|
| Ratings per                  | IEC/EN 60998-1    |
| Ratings (note)               | Connection points |
| Nominal voltage (II/2)       | 500 V             |
| Rated surge voltage (II/2)   | 4 kV              |
| Rated current                | 24 A              |
| Ratings per                  | IEC/EN 60998-2-2  |
| Ratings (note) 2             | Connection points |
| Rated voltage (II/2) 2       | 500 V             |
| Rated surge voltage (II/2) 2 | 4 kV              |
| Rated current 2              | 24 A              |
| Rated current 3              | 16 A              |

Supus modificărilor.

WAGO Kontakttechnik GmbH & Co. KG  
 /Representative Office Romania  
 Sos. Pipera-Tunari nr. 1/1  
 building 1, 2nd floor | 077190 Voluntari, Ilfov  
 Tel.: +40-(0)31 421 85 68 | Email: info-RO@wago.com

Aveți întrebări despre produsele noastre?  
 Vă stăm la dispoziție pentru preluarea apelului la +40 (0) 31 421 85 68.

Legend (ratings)

(II / 2)  $\triangleq$  Overvoltage category II / Pollution degree 2**Connection data**

|  |   |
|--|---|
| Connection type (1)  | External 1  |
| Connection technology                                      | Push-in CAGE CLAMP®   |
| Number of connection points (connection type)              | 2   |
| Actuation type   | Operating tool<br>Push-button   |
| Connectable conductor materials                            | Copper  |
| Solid conductor  | 0,5 ... 2,5 mm <sup>2</sup> / 18 ... 12 AWG                                 |
| Solid conductor; push-in termination                       | 0,5 ... 2,5 mm <sup>2</sup> / 18 ... 12 AWG                                 |
| Stranded conductor   | 0,5 ... 2,5 mm <sup>2</sup> / 18 ... 14 AWG                                 |
| Fine-stranded conductor                                    | 0,5 ... 2,5 mm <sup>2</sup> / 18 ... 14 AWG                                 |
| Fine-stranded conductor; with insulated ferrule            | 0,5 ... 1,5 mm <sup>2</sup> / 18 ... 16 AWG                                 |
| Fine-stranded conductor; with uninsulated ferrule          | 0,5 ... 1,5 mm <sup>2</sup> / 18 ... 16 AWG                                 |
| Fine-stranded conductor; with ferrule; push-in termination | 0,5 mm <sup>2</sup> / 18 AWG  |
| Strip length   | 8 ... 9 mm / 0.31 ... 0.35 inch   |
| Pole No.   | 4   |
| Connection type 2  | Internal 2  |
| Connection technology 2                                    | PUSH WIRE®  |
| Number of connection points                                | 1   |
| Solid conductor 2  | 0,5 ... 2,5 mm <sup>2</sup> / 18 ... 14 AWG                                 |
| Fine-stranded conductor; with insulated ferrule 2          | 0,5 ... 1 mm <sup>2</sup> / 18 ... 16 AWG                                   |
| Fine-stranded conductor; with uninsulated ferrule 2        | 0,5 ... 1,5 mm <sup>2</sup> / 18 ... 14 AWG                                 |
| Strip length 2   | 8 ... 9 mm / 0.31 ... 0.35 inch   |
| Connection type (3)  | Internal 3  |
| Number of connection points                                | 1   |
| Solid conductor 3  | 0,5 ... 1,5 mm <sup>2</sup> / 18 ... 16 AWG                                 |
| Fine-stranded conductor; with insulated ferrule 3          | 0,5 ... 0,75 mm <sup>2</sup> / 18 AWG 0,5 ... 0,75 mm <sup>2</sup> / 18 AWG |
| Fine-stranded conductor; with uninsulated ferrule 3        | 0,5 ... 1 mm <sup>2</sup> / 18 AWG  |
| Connection type (4)  | Internal 4  |
| Number of connection points                                | 1   |
| Solid conductor 4  | 0,5 ... 0,75 mm <sup>2</sup> / 18 AWG                                       |
| Total number of connection points                          | 20  |
| Total number of potentials                                 | 4   |
| Number of connection types                                 | 4   |
| Wiring type  | Side-entry wiring   |

Supus modificărilor.

WAGO Kontakttechnik GmbH & Co. KG  
 /Representative Office Romania  
 Sos. Pipera-Tunari nr. 1/1  
 building 1, 2nd floor | 077190 Voluntari, Ilfov  
 Tel.: +40-(0)31 421 85 68 | Email: info-RO@wago.com

Aveți întrebări despre produsele noastre?  
 Vă stăm la dispoziție pentru preluarea apelului la +40 (0) 31 421 85 68.



## Geometrical Data

|                         |                      |
|-------------------------|----------------------|
| Pin spacing             | 10 mm / 0.394 inch   |
| Width                   | 40 mm / 1.575 inch   |
| Height from the surface | 17 mm / 0.669 inch   |
| Depth                   | 27,3 mm / 1.075 inch |

## Mechanical data

|         |       |
|---------|-------|
| Marking | plain |
|---------|-------|

## Material Data

|                             |  |
|-----------------------------|--|
| Color                       | white                                  |
| Material group              | III a                                  |
| Insulation material         | Polycarbonate (PC)                     |
| Flammability class per UL94 | V0                                     |
| Clamping spring material    | Chrome nickel spring steel (CrNi)      |
| Contact material            | Electrolytic copper (E <sub>Cu</sub> ) |
| Contact plating             | tin-plated                             |
| Fire load                   | 0,24 MJ                                |
| Weight                      | 12,2 g                                 |

## Environmental Requirements

|                       |        |
|-----------------------|--------|
| Temperature stability | 120 °C |
| T marking             | T85    |

## Commercial data

|                       |                                |
|-----------------------|--------------------------------|
| Product Group         | 8 (Misc. Chassis Mount Blocks) |
| Packaging type        | lamination                     |
| Country of origin     | CH                             |
| GTIN                  | 4050821097617                  |
| Customs tariff number | 85369010000                    |

## Aprobări / certificate

### Country specific Approvals

| Emblemă | Aprobare | Text de aprobare suplimentar | Nume certificat |
|---------|----------|------------------------------|-----------------|
|         |          |                              |                 |

Supus modificărilor.



ENEC 05  
DEKRA Certification B.V.



EN 60998

2128791.01





## Counterpart

## Produce compatibile

### tools

|  |  |  |
|--|--|--|
|  | <b>Nr. articol: 206-294</b><br>Disconnection tool  | <a href="http://www.wago.com/206-294">www.wago.com/206-294</a> |
|  | <b>Nr. articol: 294-199</b><br>Operating tool; for pressing the snap-in mounting feet into the mounting plate; For fitting ground contacts; for 294 Series | <a href="http://www.wago.com/294-199">www.wago.com/294-199</a> |

### Strain relief plate

|  |   |  |
|--|---|--|
|    | <b>Nr. articol: 294-364</b><br>Strain relief plate; for 294 Series; for multicore cables; 3- to 5-pole; with secured clamp; white | <a href="http://www.wago.com/294-364">www.wago.com/294-364</a> |
|   | <b>Nr. articol: 294-370</b><br>Strain relief; for 294 Series; with snap-in mounting feet; white                                   | <a href="http://www.wago.com/294-370">www.wago.com/294-370</a> |
|  | <b>Nr. articol: 294-375</b><br>Strain relief; for 294 Series; without snap-in mounting feet; white                                | <a href="http://www.wago.com/294-375">www.wago.com/294-375</a> |
|  | <b>Nr. articol: 294-384</b><br>Strain relief plate; for 294 Series; for single strands; 3- to 5-pole; with secured clamp; white   | <a href="http://www.wago.com/294-384">www.wago.com/294-384</a> |

## Descărcări

### Documentation

#### Additional Information

|                        |             |               |            |
|------------------------|-------------|---------------|------------|
| Technical explanations | Apr 3, 2019 | pdf<br>2,1 MB | Descărcare |
|------------------------|-------------|---------------|------------|

### CAD/CAE-Data

#### CAD data

|                       |     |            |
|-----------------------|-----|------------|
| 2D/3D Models 294-4004 | URL | Descărcare |
|-----------------------|-----|------------|

#### CAE data

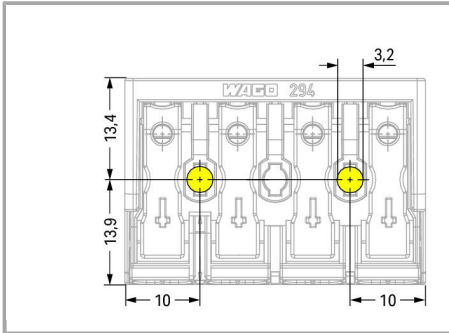
Supus modificărilor.

WAGO Kontakttechnik GmbH & Co. KG  
/Representative Office Romania  
Sos. Pipera-Tunari nr. 1/1  
building 1, 2nd floor | 077190 Voluntari, Ilfov  
Tel.: +40-(0)31 421 85 68 | Email: info-RO@wago.com

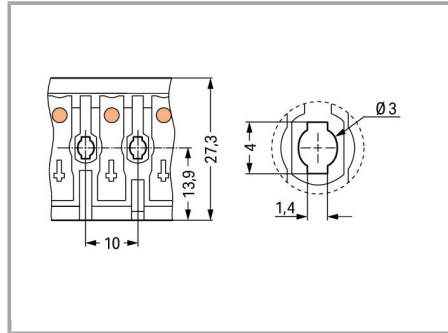
Aveți întrebări despre produsele noastre?  
Vă stăm la dispoziție pentru preluarea apelului la +40 (0) 31 421 85 68.

## Installation Notes

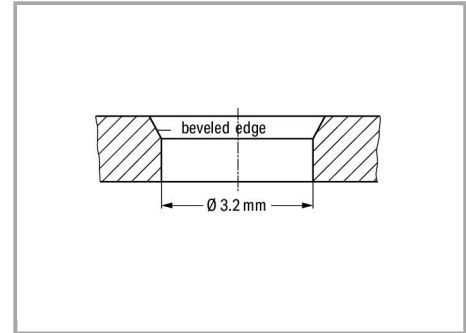
### Installation



4-pole – without ground contact



Mounting hole for screw



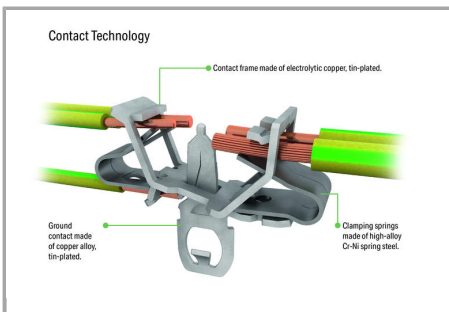
Hole for screw mount

Notice:

The maximum thread diameter for self-tapping screws is 3 mm.

Notice:

The maximum thread diameter for self-tapping screws is 3 mm.



| EUROPE                               |
|--------------------------------------|
| 1 x 0.5 ... 2.5 mm <sup>2</sup> "s"  |
| 1 x 0.5 ... 1.5 mm <sup>2</sup> "s"  |
| 1 x 0.5 ... 0.75 mm <sup>2</sup> "s" |
| AMERICA                              |
| 1 x AWG 18 ... 14 "s"                |
| 1 x AWG 18 ... 16 "s"                |
| 1 x AWG 18 "s"                       |
| JAPAN                                |
| 1 x 0.8 ... 1.6 mm diam. "s"         |
| 1 x 0.8 ... 1 mm diam. "s"           |
| 1 x 0.8 mm diam. "s"                 |

Internal connection:

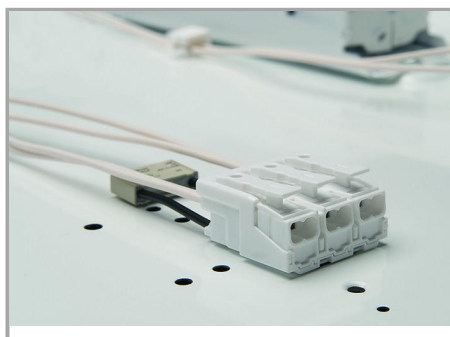
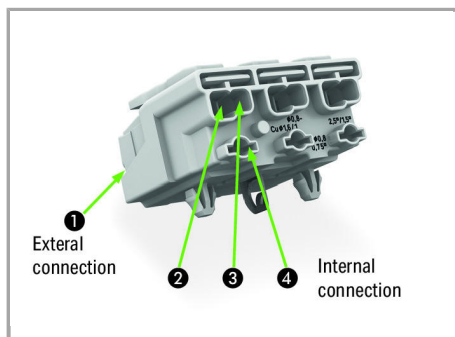
PUSH WIRE® for internal wiring with solid conductors

| EUROPE  |
|---|
| 2 x 0.5 ... 2.5 mm <sup>2</sup> "s, str, f-str" |
| AMERICA   |
| 2 x AWG 18 ... 12 "s"                           |
| 2 x AWG 18 ... 14 "s, f-str"                    |
| JAPAN   |
| 2 x 0.8 ... 2 mm diam. "s"                      |
| 2 x 0.5 ... 2 mm <sup>2</sup> "str, f-str"      |

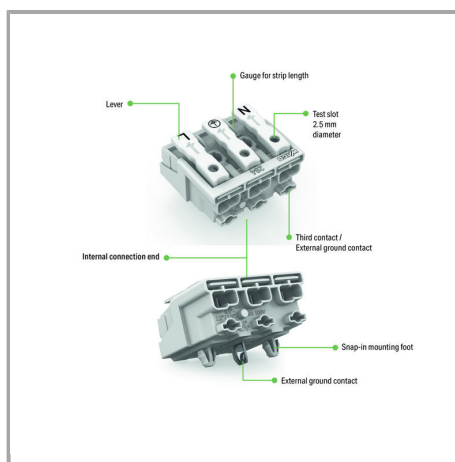
External connection:

Push-in CAGE CLAMP® for field-wiring with all conductor types

Supus modificărilor.



Terminating five conductors per pole – solid and fine-stranded.



Supus modificărilor.