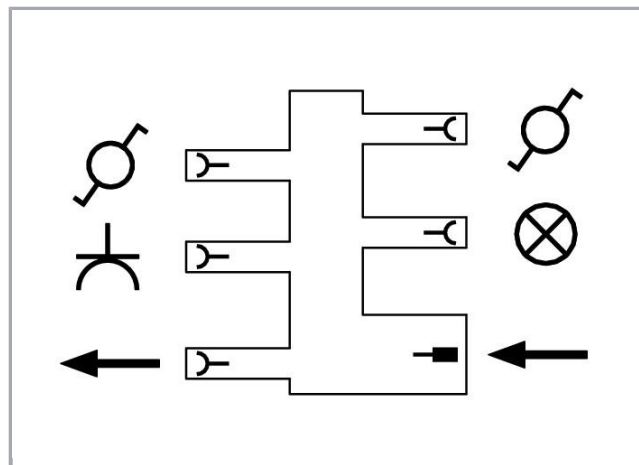
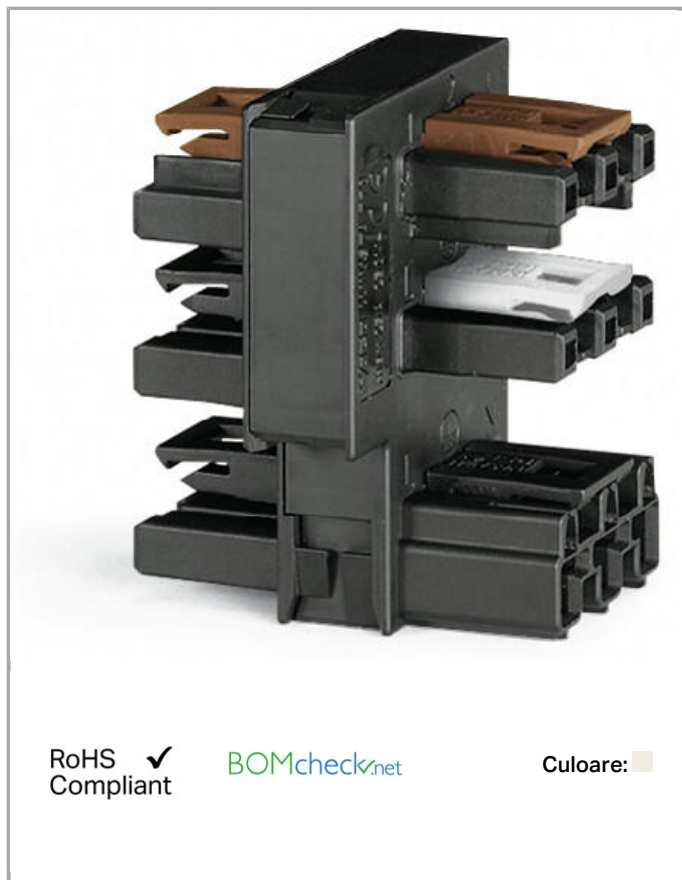


## Fișă tehnică | Număr articol: 770-688

Distribution connector for switches; Single-pole and throttle two-way circuit;  
3-pole; Cod. A/S; 1 input; 5 outputs; white

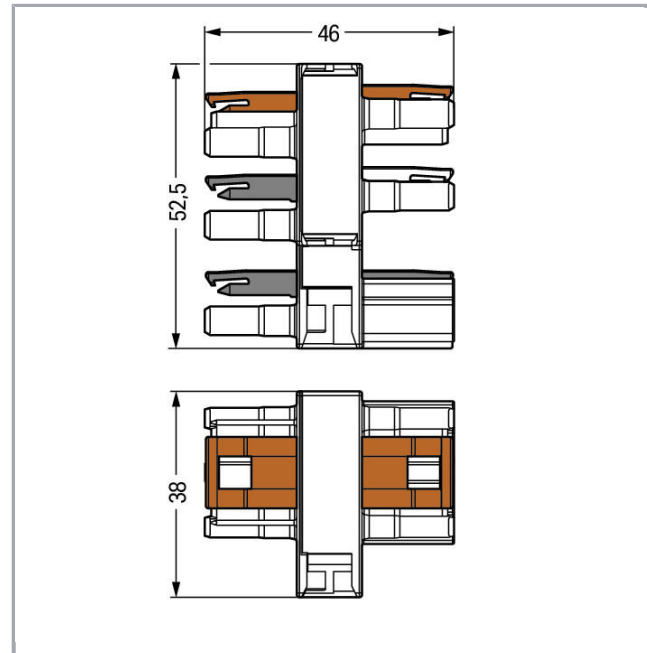
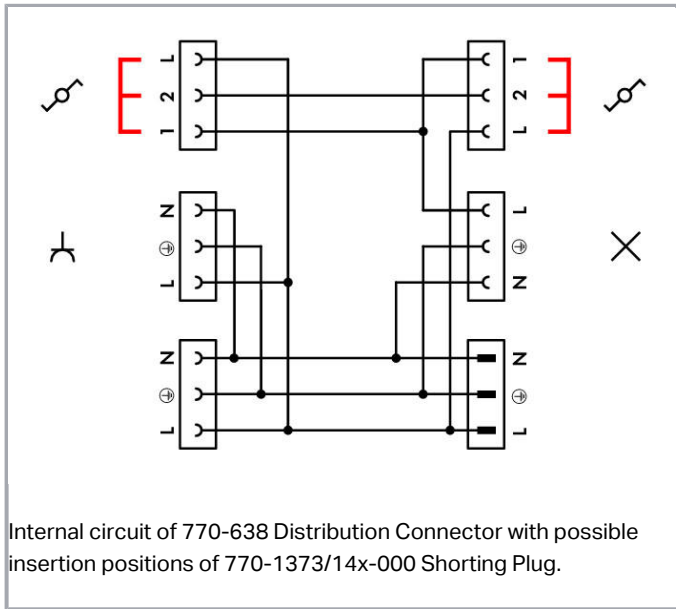
[www.wago.com/770-688](http://www.wago.com/770-688)



Supus modificărilor.

WAGO Kontakttechnik GmbH & Co. KG  
/Representative Office Romania  
Sos. Pipera-Tunari nr. 1/1  
building 1, 2nd floor | 077190 Voluntari, Ilfov  
Tel.: +40-(0)31 421 85 68 | Email: [info-RO@wago.com](mailto:info-RO@wago.com)

Aveți întrebări despre produsele noastre?  
Vă stăm la dispoziție pentru preluarea apelului la +40 (0) 31 421 85 68.



## Descriere articol

- Protected against mismatching and maintenance-free
- Additional variable coding is possible

### Note:

All connectors for mounted installations (snap-in versions for lighting fixtures or devices, all types of PCB and distribution connectors) are factory-equipped with locking levers to ensure plugs and sockets are securely locked. Additional locking levers are only required for flying leads (plug /socket).

### Note on mismatching protection:

All WINSTA<sup>®</sup> components are 100% protected against mismatching when:

- a.) plugging different numbers of poles
- b.) plugging while rotated 180
- c.) plugging while laterally staggered
- d.) plugging one pole

### Safety information 1:

Application note for the U.S. market (USR): Some versions may also be used for current interruption in accordance with the UL certificate in select applications with currents below 16 A and voltages up to 600 V. For further information, please contact your local sales office.

## Date

### Electrical data

Note on Contact Resistance

approx. 1 mΩ of contact resistance approx. 0.25 mΩ contact transition plug/socket

Supus modificărilor.

### Ratings per IEC/EN 60664-1

Ratings per	IEC/EN 60664-1
Nominal voltage (III/3)	250 V
Rated surge voltage (III/3)	4 kV
Rated current	25 A
Legend (ratings)	(III / 3) ≙ Overvoltage category III / Pollution degree 3

### Approvals per UL 1977

Rated voltage UL 1977	600 V
Rated current UL 1977	23 A

### Connection data

Pole No.	3
Total number of potentials	3

### Geometrical Data

Pin spacing	10 mm / 0.394 inch
Width	38 mm / 1.496 inch
Height	52,5 mm / 2.067 inch
Depth	46 mm / 1.811 inch

### Mechanical data

Coding	A
Mating force of a plug-in connection	approx. 20 ... 70 N (depending on pole number)
Retention force of a plug-in connection	When locked: > 80 N
Unmating force of a plug-in connection	when unlocked: approx. 20 ... 70 N (depending on pole number)
Number of mating cycles	200, without resistive load 100, with resistive load $I_N = 25$ A, tested (4 mm <sup>2</sup> /AWG 12)
Distributor type	Distribution connector for single-pole switch and two-way circuits
Protection type	IP20
Note on protection type	Only when mated (these compact connectors are not designed for use in open, easily accessible areas).
Application	General mains applications
Suitable	for single-pole switch and two-way circuits

Supus modificărilor.

## Plug connection

Contact type (pluggable connector)	Socket/plug
Mismatching protection	Yes
Locking of plug-in connection	locking lever
Locking lever	yes

## Material Data

Color	white
Insulation material	Polyamide 66 (PA 66)
Contact material	Copper or copper alloy (surface-treated)
Fire load	0,701 MJ
Weight	43 g

## Environmental Requirements


Processing temperature	-5 ... +40 °C
Continuous operating temperature	-35 ... +85 °C
Note on continuous operating temperature	Insulating parts for temperatures $\leq 105$ °C

## Commercial data

Packaging type	BOX
Country of origin	DE
GTIN	4045454251604
Customs tariff number	85366990990

## Aprobări / certificate

### Country specific Approvals

Emblemă	Aprobare	Text de aprobare suplimentar	Nume certificat
	CCA DEKRA Certification B.V.	EN 61535	2173495.02

### Ship Approvals

Emblemă	Aprobare	Text de aprobare suplimentar	Nume certificat
	ABS	-	19-

Supus modificărilor.



American Bureau of Shipping

HG1868589-  
PDA
**DNV GL**  
Det Norske Veritas, Germanischer Lloyd

TAE00001Z6


**LR**  
Lloyds Register

IEC 61984

02/20050  
(E6)

## Counterpart


**Nr. articol770-123**  
Socket; with strain relief housing; 3-pole; Cod. A; 4,00 mm<sup>2</sup>; white
[www.wago.com/770-123](http://www.wago.com/770-123)
**Nr. articol770-133**  
Plug; with strain relief housing; 3-pole; Cod. A; 4,00 mm<sup>2</sup>; white
[www.wago.com/770-133](http://www.wago.com/770-133)
**Nr. articol770-223**  
Socket; 3-pole; Cod. A; 4,00 mm<sup>2</sup>; white
[www.wago.com/770-223](http://www.wago.com/770-223)
**Nr. articol770-1373**  
Plug; 3-pole; Cod. S; 4,00 mm<sup>2</sup>; brown
[www.wago.com/770-1373](http://www.wago.com/770-1373)
**Nr. articol770-223/035-050**  
Socket; with strain relief housing; 3-pole; Cod. A; 4,00 mm<sup>2</sup>; white
[www.wago.com/770-223/035-050](http://www.wago.com/770-223/035-050)
**Nr. articol770-233**  
Plug; 3-pole; Cod. A; 4,00 mm<sup>2</sup>; white
[www.wago.com/770-233](http://www.wago.com/770-233)
**Nr. articol770-233/035-050**  
Plug; with strain relief housing; 3-pole; Cod. A; 4,00 mm<sup>2</sup>; white
[www.wago.com/770-233/035-050](http://www.wago.com/770-233/035-050)
**Nr. articol771-9973/006-105**  
pre-assembled interconnecting cable; Eca; Socket/plug; 3-pole; Cod. S; H05VV-F 3 x 1.5 mm<sup>2</sup>; 1 m; 1,50 mm<sup>2</sup>; brown
[www.wago.com/771-9973/006-105](http://www.wago.com/771-9973/006-105)
**Nr. articol771-9993/006-102**  
pre-assembled interconnecting cable; Eca; Socket/plug; 3-pole; Cod. A; H05VV-F 3G 1.5 mm<sup>2</sup>; 1 m; 1,50 mm<sup>2</sup>; white
[www.wago.com/771-9993/006-102](http://www.wago.com/771-9993/006-102)
**Nr. articol771-9993/106-102**  
pre-assembled connecting cable; Eca; Socket/open-ended; 3-pole; Cod. A; H05VV-F 3G 1.5 mm<sup>2</sup>; 1 m; 1,50 mm<sup>2</sup>; white
[www.wago.com/771-9993/106-102](http://www.wago.com/771-9993/106-102)

Supus modificărilor.

WAGO Kontakttechnik GmbH & Co. KG  
/Representative Office Romania  
Sos. Pipera-Tunari nr. 1/1  
building 1, 2nd floor | 077190 Voluntari, Ilfov  
Tel.: +40-(0)31 421 85 68 | Email: info-RO@wago.com

Aveți întrebări despre produsele noastre?  
Vă stăm la dispoziție pentru preluarea apelului la +40 (0) 31 421 85 68.



Nr. articol 771-9973/206-105

pre-assembled connecting cable; Eca; Plug/open-ended; 3-pole; Cod. S; H05VV-F 3 x 1.5 mm<sup>2</sup>; 1 m; 1,50 mm<sup>2</sup>; brown

[www.wago.com/771-9973/206-105](http://www.wago.com/771-9973/206-105)



Nr. articol 771-9993/206-102

pre-assembled connecting cable; Eca; Plug/open-ended; 3-pole; Cod. A; H05VV-F 3G 1.5 mm<sup>2</sup>; 1 m; 1,50 mm<sup>2</sup>; white

[www.wago.com/771-9993/206-102](http://www.wago.com/771-9993/206-102)

## Descărcări

### CAD/CAE-Data

#### CAE data

EPLAN Data Portal 770-688

URL

Descărcare

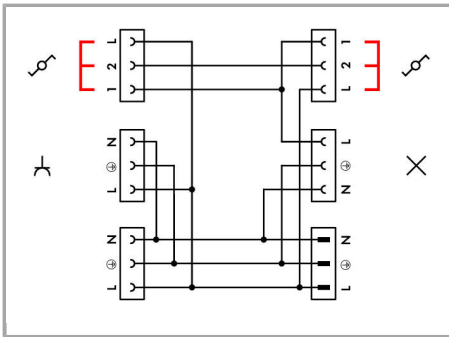
WSCAD Universe 770-688

URL

Descărcare

## Installation Notes

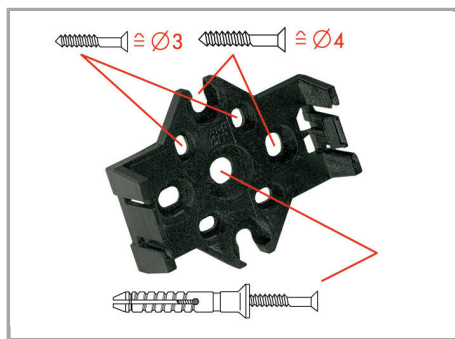
### Application



Internal circuit of 770-638 Distribution Connector with possible insertion positions of 770-1373/14x-000 Shorting Plug.

### Installation

Supus modificărilor.



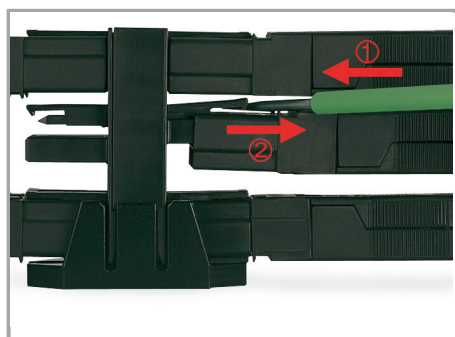
The mounting plate for distribution connectors can be mounted using commercially available screws or nail-drive anchors.



The distribution connectors are latched when mounted on the mounting plate.



To release the distribution connector, unlock the latch using a screwdriver.



All distributor connections are locked and protected against accidental disconnection directly after mating. Locking of any connection is released using a screwdriver, even if all connections are in use.

## Familie de produse

*WINSTA*® MIDI

Afișare globală produse din familie.

Supus modificărilor.