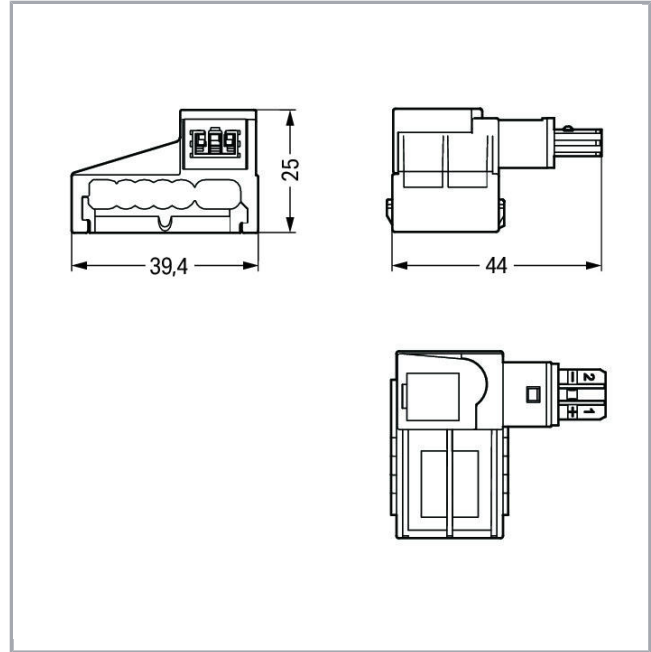


## Fișă tehnică | Număr articol: 893-262

Tap-off module; for flat cable; 5 x 2.5 mm<sup>2</sup> + 2 x 1.5 mm<sup>2</sup>; 2-pole; Cod. E;  
green

[www.wago.com/893-262](http://www.wago.com/893-262)



RoHS  Compliant

BOMcheck.net

Culoare: ■

### Descriere articol

- Suitable for bus and power lines or for bus and power combined in one cable
- Easy installation without line interruption due to convenient insulation displacement technology (IDC)
- WINSTA® IDC Supply and Tap-Off Modules allow connection at any location of the flat cable – one rotation per pole is all that is required

### Note on mismatching protection:

Supus modificărilor.

WAGO Kontakttechnik GmbH & Co. KG  
/Representative Office Romania  
Sos. Pipera-Tunari nr. 1/1  
building 1, 2nd floor | 077190 Voluntari, Ilfov  
Tel.: +40-(0)31 421 85 68 | Email: info-RO@wago.com

Aveți întrebări despre produsele noastre?  
Vă stăm la dispoziție pentru preluarea apelului la +40 (0) 31 421 85 68.



All WINSTA<sup>®</sup> components are 100% protected against mismatching when:

- a.) plugging different numbers of poles
- b.) plugging while rotated 180
- c.) plugging while laterally staggered
- d.) plugging one pole

## Date

### Electrical data

Note on Contact Resistance

approx. 1 mΩ of contact resistance approx. 0.25 mΩ contact transition plug/socket

### Ratings per IEC/EN 60664-1

Ratings per	IEC/EN 60664-1
Nominal voltage (III/3)	50 V
Rated surge voltage (III/3)	0,8 kV
Rated current	3 A
Legend (ratings)	(III / 3) ≙ Overvoltage category III / Pollution degree 3

### Connection data

Connection technology	IDC
Actuation type	Operating tool
Pole No.	2

### Geometrical Data

Width	39,4 mm / 1.551 inch
Height	25 mm / 0.984 inch
Depth	44 mm / 1.732 inch

### Mechanical data

Technologie	KNX
Coding	E
Mating force of a plug-in connection	approx. 10 ... 15 N
Retention force of a plug-in connection	When locked: > 80 N
Unmating force of a plug-in connection	when unlocked: approx. 15 ... 20 N
Number of mating cycles	200

Supus modificărilor.

WAGO Kontakttechnik GmbH & Co. KG  
 /Representative Office Romania  
 Sos. Pipera-Tunari nr. 1/1  
 building 1, 2nd floor | 077190 Voluntari, Ilfov  
 Tel.: +40-(0)31 421 85 68 | Email: info-RO@wago.com

Aveți întrebări despre produsele noastre?  
 Vă stăm la dispoziție pentru preluarea apelului la +40 (0) 31 421 85 68.



Marking	1+ 2-
Protection type	IP20
Note on protection type	Only when mated (these compact connectors are not designed for use in open, easily accessible areas).
Potential marking	1+ 2-
Application	KNX
Suitable	for flat cable 5 x 2.5 mm <sup>2</sup> + 2 x 1.5 mm <sup>2</sup>

### Plug connection

Mismating protection	Yes
Locking of plug-in connection	locking lever

### Material Data

Color	green
Insulation material	Polyamide 66 (PA 66)
Fire class per EN 50575	E <sub>ca</sub>
Contact material	Copper or copper alloy (surface-treated)
Weight	19,6 g

### Environmental Requirements

Processing temperature	-5 ... +40 °C
Continuous operating temperature	-35 ... +85 °C
Note on continuous operating temperature	PVC cable for temperatures ≤ 70 °C (including halogen-free) PVC flat cable for temperatures -15 °C to ≤ 70 °C (including halogen-free) Insulating parts for temperatures ≤ 105 °C

### Commercial data

Product Group	20 (WINSTA)
Packaging type	BOX
Country of origin	CH
GTIN	4045454267292
Customs tariff number	85366990990

Supus modificărilor.

WAGO Kontakttechnik GmbH & Co. KG  
 /Representative Office Romania  
 Sos. Pipera-Tunari nr. 1/1  
 building 1, 2nd floor | 077190 Voluntari, Ilfov  
 Tel.: +40-(0)31 421 85 68 | Email: info-RO@wago.com

Aveți întrebări despre produsele noastre?  
 Vă stăm la dispoziție pentru preluarea apelului la +40 (0) 31 421 85 68.

## Counterpart



Nr. articol **893-1012**

Plug; with strain relief housing; 2-pole; Cod. E; green

[www.wago.com/893-1012](http://www.wago.com/893-1012)



Nr. articol **894-8992/033-106**

pre-assembled interconnecting cable; Eca; Socket/plug; 2-pole; Cod. E; J-Y(ST)Y...LG 2x2x0.8; 1 m; green

[www.wago.com/894-8992/033-106](http://www.wago.com/894-8992/033-106)



Nr. articol **894-8992/233-106**

pre-assembled connecting cable; Eca; Plug/open-ended; 2-pole; Cod. E; J-Y(ST)Y...LG 2x2x0.8; 1 m; green

[www.wago.com/894-8992/233-106](http://www.wago.com/894-8992/233-106)

## Produse compatibile

### wiring and connectors



Nr. articol: **897-261**

Flat cable; 5G 2.5 mm<sup>2</sup> + 2 x 1.5 mm<sup>2</sup>; PVC; 3L + N + PE + 2 buses; 0.6/1 kV; 2,50 mm<sup>2</sup>; violet

[www.wago.com/897-261](http://www.wago.com/897-261)



Nr. articol: **897-262**

Flat cable; 5G 2.5 mm<sup>2</sup> + 2 x 1.5 mm<sup>2</sup>; halogen-free; 3L + N + PE + 2 buses; 0.6/1 kV; 2,50 mm<sup>2</sup>; violet

[www.wago.com/897-262](http://www.wago.com/897-262)

## Descărcări

### CAD/CAE-Data

#### CAE data

EPLAN Data Portal 893-262

URL

Descărcare

WSCAD Universe 893-262

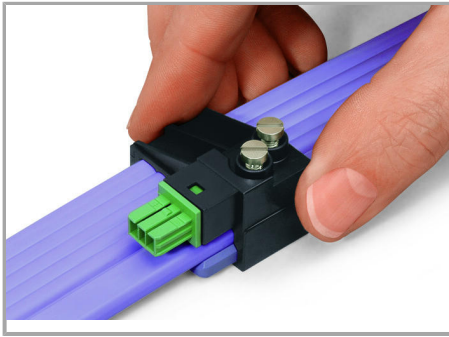
URL

Descărcare

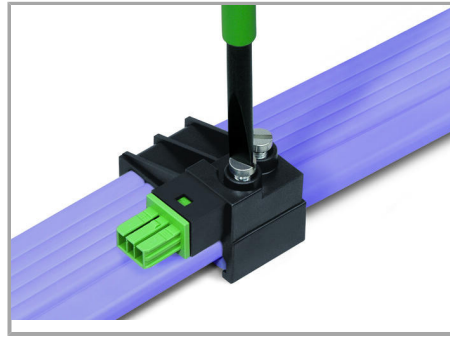
## Installation Notes

### Conductor termination

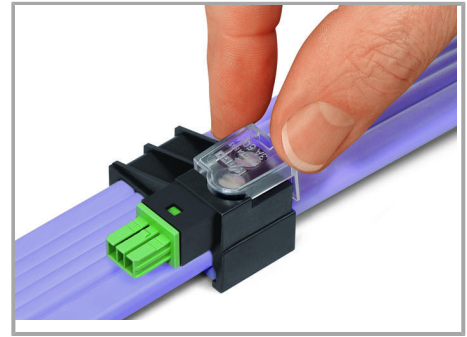
Supus modificărilor.



The IDC module can only be mounted if the two codings match each other.



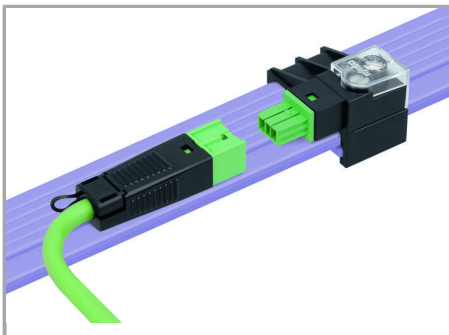
Tighten the screws to connect the flat cable.



Snap the transparent protective cover onto the module.

Observe 1 Nm of tightening torque!

Should the IDC module jam during mounting, turn the module by 180° and remount it, flush with the base.



Connect the cable assembly to the module.

## Familie de produse

*WINSTA*® IDC

Afișare globală produse din familie.

Supus modificărilor.