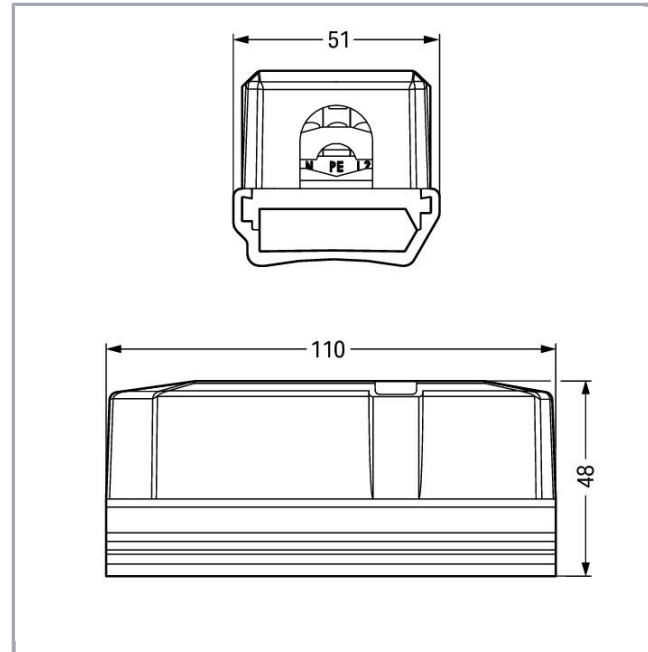


## Fișă tehnică | Număr articol: 895-1052

Tap-off module; 5 x 4 mm<sup>2</sup>; with spring clamp connection; Screw connect. to cable 5 x 10 mm<sup>2</sup>; transparent

[www.wago.com/895-1052](http://www.wago.com/895-1052)



### Descriere articol

- Suitable for bus and power lines or for bus and power combined in one cable
- Easy installation without line interruption due to convenient insulation displacement technology (IDC)
- WINSTA® IDC Supply and Tap-Off Modules allow connection at any location of the flat cable – one rotation per pole is all that is required

### Note on mismatching protection:

All WINSTA® components are 100% protected against mismatching when:

- a.) plugging different numbers of poles
- b.) plugging while rotated 180
- c.) plugging while laterally staggered
- d.) plugging one pole

### Date

### Electrical data

Note on Contact Resistance

approx. 1 mΩ of contact resistance approx. 0.25 mΩ contact transition plug/socket

Supus modificărilor.

WAGO Kontakttechnik GmbH & Co. KG  
/Representative Office Romania  
Sos. Pipera-Tunari nr. 1/1  
building 1, 2nd floor | 077190 Voluntari, Ilfov  
Tel.: +40-(0)31 421 85 68 | Email: info-RO@wago.com

Aveți întrebări despre produsele noastre?  
Vă stăm la dispoziție pentru preluarea apelului la +40 (0) 31 421 85 68.



## Ratings per IEC/EN 60664-1

Ratings per	IEC/EN 60664-1
Nominal voltage (III/3)	690 V
Rated surge voltage (III/3)	8 kV
Rated current	32 A
Legend (ratings)	(III / 3) ≙ Overvoltage category III / Pollution degree 3

## Connection data

Connection technology	CAGE CLAMP®
Actuation type	Operating tool
Pole No.	5
Total number of connection points	5
Total number of potentials	5

## Geometrical Data

Width	51 mm / 2.008 inch
Height	48 mm / 1.89 inch
Depth	110 mm / 4.331 inch

## Mechanical data

Mating force of a plug-in connection	approx. 30 ... 70 N (depending on pole number)
Retention force of a plug-in connection	When locked: > 80 N
Unmating force of a plug-in connection	when unlocked: approx. 15 ... 20 N
Number of mating cycles	200, without resistive load 100, with resistive load $I_N = 25$ A, tested (4 mm <sup>2</sup> /AWG 12)
Protection type	IP20
Note on protection type	Only when mated (these compact connectors are not designed for use in open, easily accessible areas).
Suitable	for flat cable 5 x 10 mm <sup>2</sup>

## Plug connection

Mismating protection	Yes
Locking of plug-in connection	locking lever

Supus modificărilor.

## Material Data

Color	transparent
Insulation material	Polyamide 66 (PA 66)
Contact material	Copper or copper alloy (surface-treated)
Fire load	2,232 MJ
Weight	171,8 g

## Environmental Requirements

Processing temperature	-5 ... +40 °C
Continuous operating temperature	-35 ... +85 °C
Note on continuous operating temperature	PVC cable for temperatures ≤ 70 °C (including halogen-free) PVC flat cable for temperatures -15 °C to ≤ 70 °C (including halogen-free) Insulating parts for temperatures ≤ 105 °C



## Commercial data

Product Group	20 (WINSTA)
Packaging type	BOX
Country of origin	CH
GTIN	4045454006266
Customs tariff number	85369010000

## Counterpart

## Produse compatibile

### wiring and connectors

	<b>Nr. articol: 897-1051</b> Flat cable; 5G 10 mm <sup>2</sup> ; PVC; 3L + N + PE; 0.6/1 kV; 10,00 mm <sup>2</sup> ; light gray	<a href="http://www.wago.com/897-1051">www.wago.com/897-1051</a>
	<b>Nr. articol: 897-1052</b> Flat cable; 5G 10 mm <sup>2</sup> ; halogen-free; 3L + N + PE; 0.6/1 kV; 10,00 mm <sup>2</sup> ; light gray	<a href="http://www.wago.com/897-1052">www.wago.com/897-1052</a>

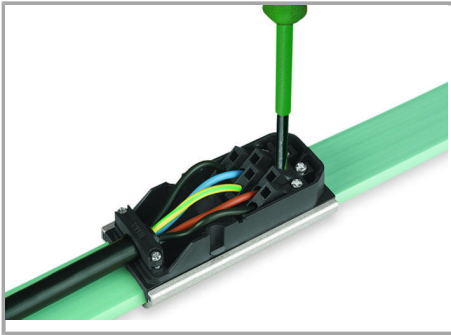
## Descărcări

### CAD/CAE-Data

#### CAE data

EPLAN Data Portal 895-1052	URL	Descărcare
Supus modificărilor.		

## Installation Notes



## Familie de produse

*WINSTA*® IDC

[Afișare globală produse din familie.](#)

Supus modificărilor.