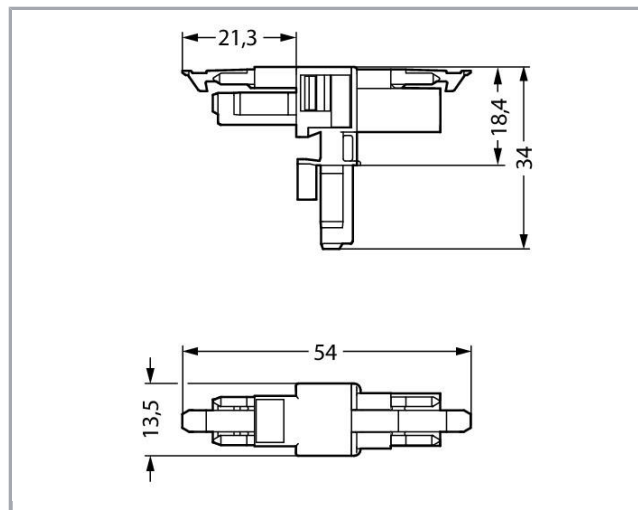
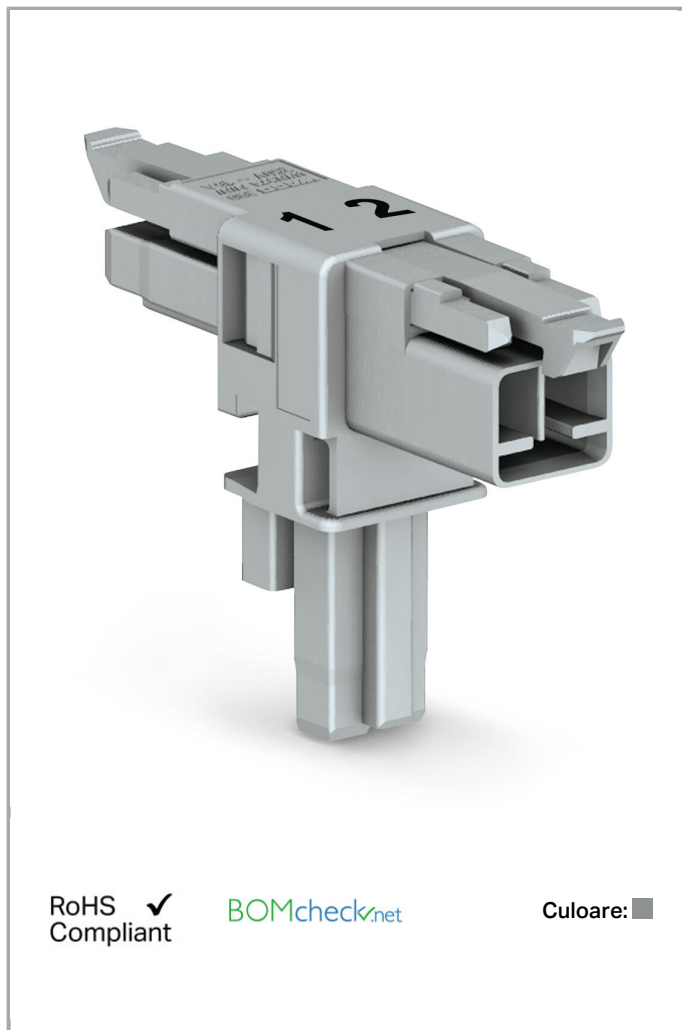


Fișă tehnică | Număr articol: 890-1601

T-distribution connector; 2-pole; Cod. B; 1 input; 2 outputs; 2 locking levers;
gray



www.wago.com/890-1601



Descriere articol

- Protected against mismatching and maintenance-free
- Compact design with 4.4 mm pole spacing
- Components can be clearly printed on and color-coded to meet custom requirements

Note:

All connectors for mounted installations (snap-in versions for lighting fixtures or devices, all types of PCB and distribution connectors) are factory-equipped with locking levers to ensure plugs and sockets are securely locked. Additional locking levers are only required for flying leads (plug

Supus modificărilor.

WAGO Kontakttechnik GmbH & Co. KG
/Representative Office Romania
Sos. Pipera-Tunari nr. 1/1
building 1, 2nd floor | 077190 Voluntari, Ilfov
Tel.: +40-(0)31 421 85 68 | Email: info-RO@wago.com

Aveți întrebări despre produsele noastre?
Vă stăm la dispoziție pentru preluarea apelului la +40 (0) 31 421 85 68.



/socket).

Note on mismatching protection:All WINSTA[®] components are 100% protected against mismatching when:

- a.) plugging different numbers of poles
- b.) plugging while rotated 180
- c.) plugging while laterally staggered
- d.) plugging one pole

Safety information 1:

Application note for the U.S. market (USR): Some versions may also be used for current interruption in accordance with the UL certificate in select applications with currents below 5 A and voltages up to 600 V. For further information, please contact your local sales office.

Date**Electrical data**

| | |
|----------------------------|---|
| Note on Contact Resistance | approx. 1 mΩ of contact resistance approx. 0.25 mΩ contact transition plug/socket |
|----------------------------|---|

Ratings per IEC/EN 60664-1

| Ratings per | IEC/EN 60664-1 |
|-----------------------------|---|
| Nominal voltage (III/3) | 250 V |
| Rated surge voltage (III/3) | 4 kV |
| Rated current | 16 A |
| Legend (ratings) | (III / 3) ≙ Overvoltage category III / Pollution degree 3 |

Approvals per UL 1977

| | |
|-----------------------|-------|
| Rated voltage UL 1977 | 600 V |
| Rated current UL 1977 | 14 A |

Connection data

| | |
|----------------------------|---|
| Pole No. | 2 |
| Total number of potentials | 2 |

Geometrical Data

| | |
|-------------|-----------------------|
| Pin spacing | 4,4 mm / 0.173 inch |
| Width | 13,5 mm / 0.531 inch |
| Height | 39,65 mm / 1.561 inch |
| Depth | 53,9 mm / 2.122 inch |

Supus modificărilor.

WAGO Kontakttechnik GmbH & Co. KG
 /Representative Office Romania
 Sos. Pipera-Tunari nr. 1/1
 building 1, 2nd floor | 077190 Voluntari, Ilfov
 Tel.: +40-(0)31 421 85 68 | Email: info-RO@wago.com

Aveți întrebări despre produsele noastre?
 Vă stăm la dispoziție pentru preluarea apelului la +40 (0) 31 421 85 68.



Mechanical data

| | |
|---|--|
| Coding | B |
| Mating force of a plug-in connection | approx. 20 ... 70 N (depending on pole number) |
| Retention force of a plug-in connection | When locked: > 80 N |
| Unmating force of a plug-in connection | when unlocked: approx. 20 ... 70 N (depending on pole number) |
| Number of mating cycles | 200, without resistive load 100, with resistive load $I_N = 16$ A, tested (1.5 mm ² /16 AWG) |
| Distributor type | T-distribution connector |
| Marking | 1 2 |
| Protection type | IP20 |
| Note on protection type | IP40 when mated |
| Potential marking | 1 2 |

Plug connection

| | |
|------------------------------------|---------------|
| Contact type (pluggable connector) | Socket/plug |
| Mismating protection | Yes |
| Locking of plug-in connection | locking lever |
| Locking lever | yes |

Material Data

| | |
|---------------------|--|
| Color | gray |
| Insulation material | Polyamide 66 (PA 66) |
| Contact material | Copper or copper alloy (surface-treated) |
| Fire load | 0,124 MJ |
| Weight | 5,9 g |

Environmental Requirements

| | |
|--|--|
| Processing temperature | -5 ... +40 °C |
| Continuous operating temperature | -35 ... +85 °C |
| Note on continuous operating temperature | Insulating parts for temperatures ≤ 105 °C |

Supus modificărilor.

WAGO Kontakttechnik GmbH & Co. KG
/Representative Office Romania
Sos. Pipera-Tunari nr. 1/1
building 1, 2nd floor | 077190 Voluntari, Ilfov
Tel.: +40-(0)31 421 85 68 | Email: info-RO@wago.com

Aveți întrebări despre produsele noastre?
Vă stăm la dispoziție pentru preluarea apelului la +40 (0) 31 421 85 68.

Commercial data

| | |
|-----------------------|---------------|
| Product Group | 20 (WINSTA) |
| Packaging type | BOX |
| Country of origin | DE |
| GTIN | 4050821560043 |
| Customs tariff number | 85366990990 |

Counterpart



Nr. articol890-242

Socket; 2-pole; Cod. B; 1,50 mm²; gray

www.wago.com/890-242



Nr. articol890-252

Plug; 2-pole; 1,50 mm²; gray

www.wago.com/890-252



Nr. articol891-8992/005-103

pre-assembled interconnecting cable; Eca; Socket/plug; 2-pole; Cod. B; Control cable 2 x 1.0 mm²; 1 m; 1,00 mm²; gray

www.wago.com/891-8992/005-103



Nr. articol891-8992/105-103

pre-assembled connecting cable; Eca; Socket/open-ended; 2-pole; Cod. B; Control cable 2 x 1.0 mm²; 1 m; 1,00 mm²; gray

www.wago.com/891-8992/105-103



Nr. articol891-8992/205-103

pre-assembled connecting cable; Eca; Plug/open-ended; 2-pole; Cod. B; Control cable 2 x 1.0 mm²; 1 m; 1,00 mm²; gray

www.wago.com/891-8992/205-103

Descărcări

CAD/CAE-Data

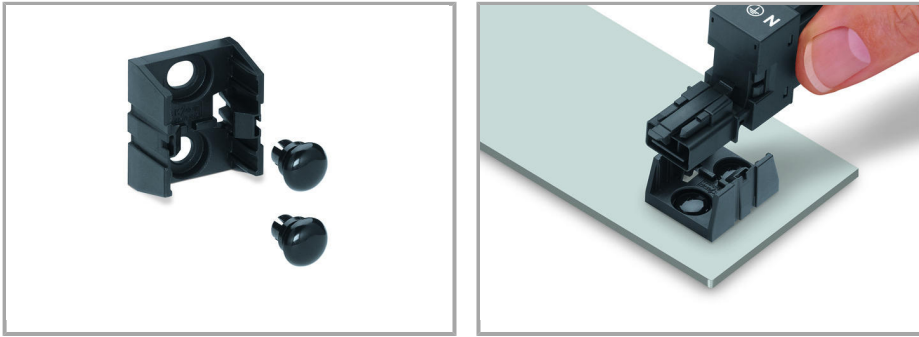
CAE data

| WSCAD Universe 890-1601 | URL | Descărcare |
|-------------------------|-----|------------|
| | | |

Installation Notes

Installation

Supus modificărilor.



Secure the mounting plate via pins.

Familie de produse

WINSTA® MINI special

Afișare globală produse din familie.

Supus modificărilor.