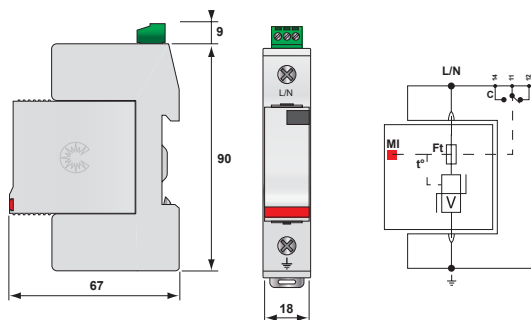


Surge arrester ETITEC V T2

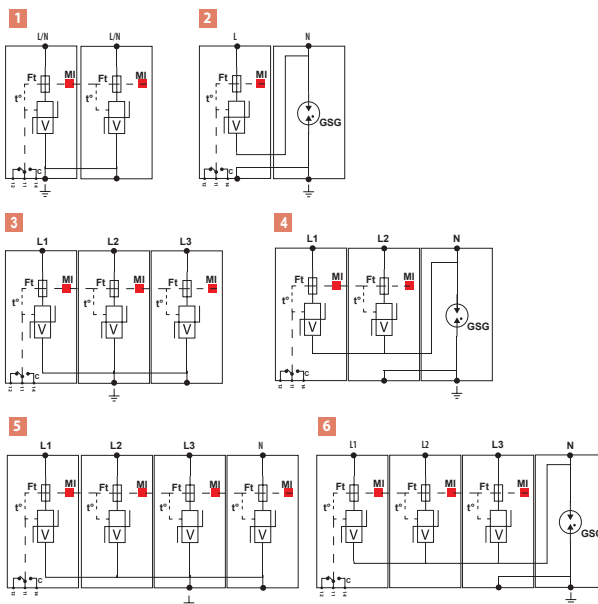
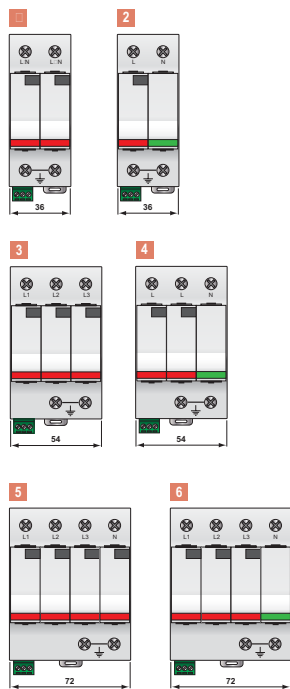
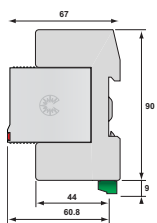
EN/IEC/VDE: T2/II/C

ETITEC V T2			
Type		ETITEC V T2 255	ETITEC V T2 440
Description		Type 2 AC surge protector - one-phase - pluggable	
Network		230/400 V	230/400 V
Max. AC operating voltage	Uc	255 VAC	440 VAC
Temporary Over Voltage (TOV) Characteristics - 5 sec.	UT	335 Vac withstand	580 Vac withstand
Temporary Over Voltage (TOV) Characteristics - 120 mn	UT	440 Vac disconnection	770 Vac disconnection
Residual current - Leakage current at Uc	Ipe	< 1 mA	< 1 mA
Follow current	If	x	x
Nominal discharge current - 15 x 8/20 μs impulses	In	20 kA	20 kA
Max. discharge current -max. withstand @ 8/20 μs by pole	I _{max}	40 kA	40 kA
Protection level	Up	1,25 kV	1,8 kV
Admissible short-circuit current	I _{scrr}	25000 A	25000 A
Associated disconnectors			
Thermal disconnector		internal	
Fuses		Fuses Type gG - 50 A	
Installation ground fault breaker		Type "S" or delayed	
Mechanical characteristics			
Dimensions		see diagram	
Connection to Network		By screw terminals: 2,5-25 mm ² / by bus	
Disconnection indicator		1 mechanical indicator	
Remote signaling of disconnection		output on changeover contact	
Mounting		Symmetrical rail 35 mm (EN60715)	
Operating temperature		-40 ... +85°C	
Protection rating		IP20	
Housing material		Thermoplastic UL94-V0	
Standards compliance		IEC 61643-11 / EN 61643-11	

Dimensions



V: High-energy varistor
 Ft: Thermal fuse
 C: Remote signaling contact
 t*: Thermal disconnection system
 Mi : Disconnection indicator



V: High-energy varistor
 GSG: Specific gas tube
 Ft: Thermal fuse
 C: Remote signaling contact
 t^r: Thermal disconnection system
 MI: Disconnection indicator