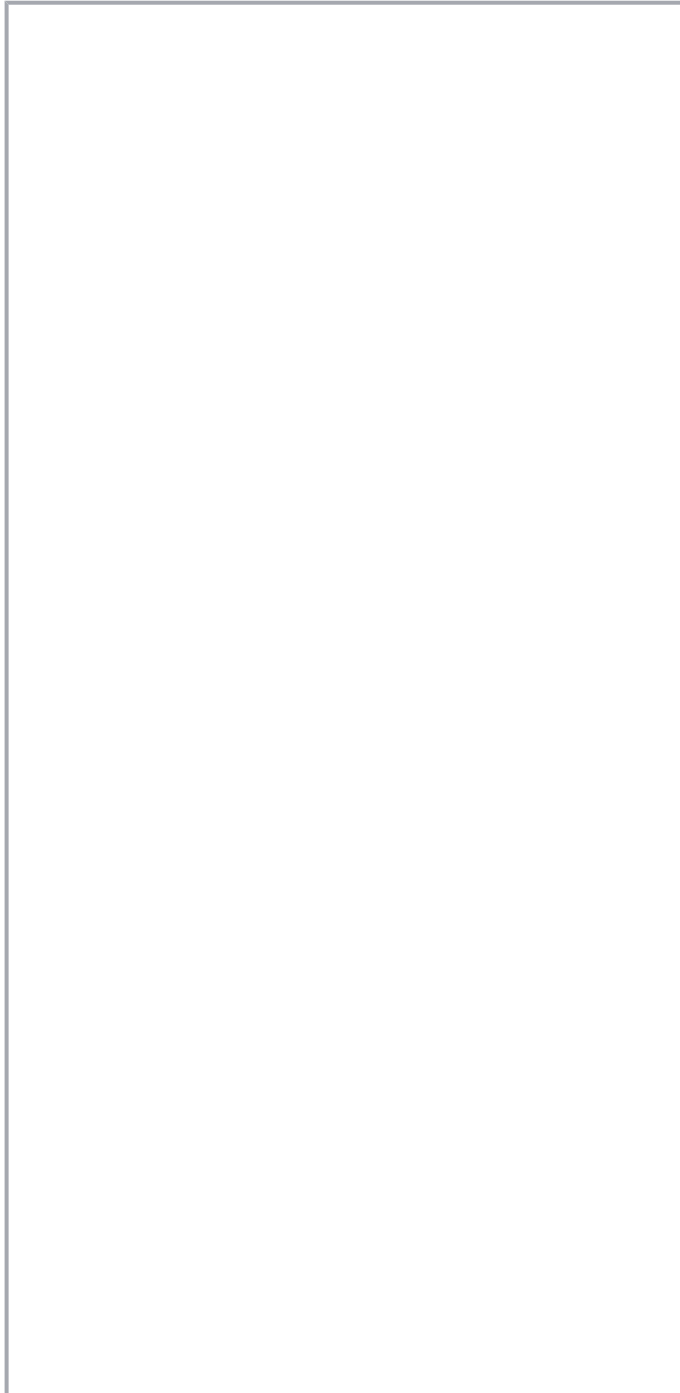


Fișă tehnică | Număr articol: 284-414

Step-down jumper; insulated; from 10/6 mm² to 4/2.5/1.5 mm²; Nominal current 15 A; gray

www.wago.com/284-414



Supus modificărilor.

WAGO Kontakttechnik GmbH & Co. KG
/Representative Office Romania
Sos. Pipera-Tunari nr. 1/1
building 1, 2nd floor | 077190 Voluntari, Ilfov
Tel.: +40-(0)31 421 85 68 | Email: info-RO@wago.com

Aveți întrebări despre produsele noastre?
Vă stăm la dispoziție pentru preluarea apelului la +40 (0) 31 421 85 68.



Supus modificărilor.

RoHS 
CompliantCuloare: **Date****Electrical data****Ratings per IEC/EN 60664-1**

| | |
|---------------|------|
| Rated current | 15 A |
|---------------|------|

Geometrical Data

| | |
|-------|-------------------|
| Width | 6 mm / 0.236 inch |
|-------|-------------------|

| | |
|-------|-------------------|
| Depth | 9 mm / 0.354 inch |
|-------|-------------------|

Material Data

| | |
|-------|------|
| Color | gray |
|-------|------|

| | |
|-----------|----------|
| Fire load | 0,013 MJ |
|-----------|----------|

| | |
|--------|-------|
| Weight | 2,1 g |
|--------|-------|

Commercial data

| | |
|---------------|----------------------------------|
| Product Group | 1 (Rail Mounted Terminal Blocks) |
|---------------|----------------------------------|

| | |
|----------------|-----|
| Packaging type | BOX |
|----------------|-----|

| | |
|-------------------|----|
| Country of origin | DE |
|-------------------|----|

| | |
|------|---------------|
| GTIN | 4044918255615 |
|------|---------------|

| | |
|-----------------------|-------------|
| Customs tariff number | 85366990990 |
|-----------------------|-------------|

Counterpart**Descărcări****Documentation****Additional Information**

| | | | |
|------------------------|-------------|---------------|------------|
| Technical explanations | Apr 3, 2019 | pdf 2,1 MB | Descărcare |
|------------------------|-------------|---------------|------------|

Supus modificărilor.

WAGO Kontakttechnik GmbH & Co. KG
/Representative Office Romania
Sos. Pipera-Tunari nr. 1/1
building 1, 2nd floor | 077190 Voluntari, Ilfov
Tel.: +40-(0)31 421 85 68 | Email: info-RO@wago.com

Aveți întrebări despre produsele noastre?
Vă stăm la dispoziție pentru preluarea apelului la +40 (0) 31 421 85 68.

CAD/CAE-Data

CAD data

2D/3D Models 284-414

[URL](#)

[Descărcare](#)

CAE data

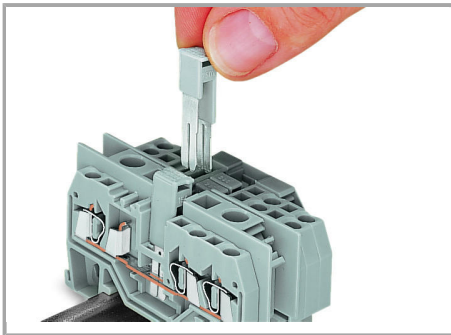
WSCAD Universe 284-414

[URL](#)

[Descărcare](#)

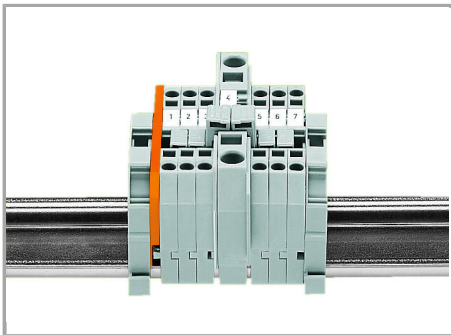
Installation Notes

Commoning

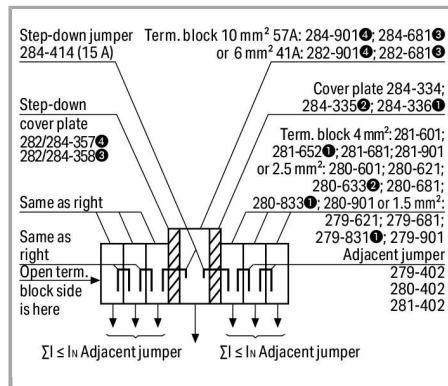


Commoning terminal blocks of different sizes via step-down jumpers.

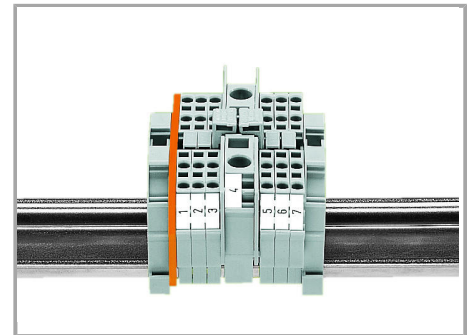
Commoning



Commoning from 6 mm²/10 AWG (282 Series) to 1.5 mm²/16 AWG (279 Series) rail-mount terminal blocks via step-down jumpers.

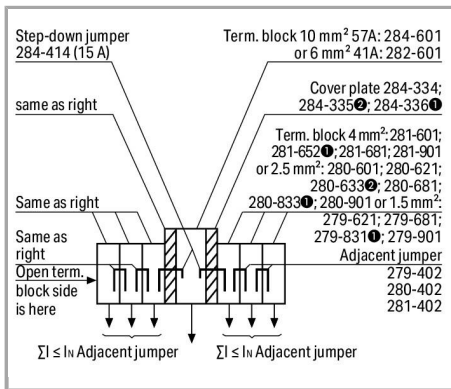


Assembly example: Commoning from 10 /6 mm² (8/10 AWG) to 4/2.5/1.5 mm² (12/14 /16 AWG) rail-mount terminal blocks via step-down jumper (284-414).

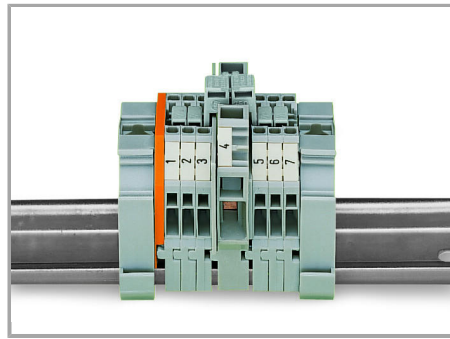


Commoning from 6 mm²/10 AWG (282 Series) to 1.5 mm²/16 AWG (279 Series) rail-mount terminal blocks via step-down jumpers.

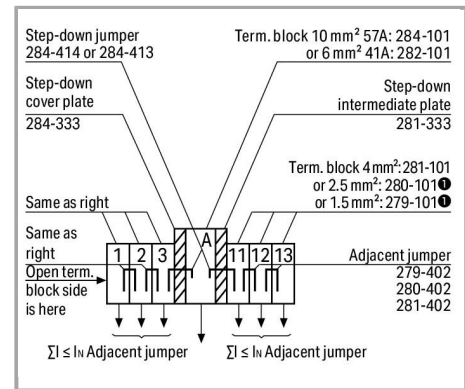
Supus modificărilor.



Assembly example: Commoning from 10 /6 mm² (8/10 AWG) to 4/2.5/1.5 mm² (12/14 /16 AWG) rail-mount terminal blocks via step-down jumper (284-414).



Commoning from 6 mm²/10 AWG (282 Series) to 1.5 mm²/16 AWG (279 Series) rail-mount terminal blocks via step-down jumpers.



Assembly example: Commoning from 10 /6 mm² (8/10 AWG) to 4/2.5/1.5 mm² (12/14 /16 AWG) rail-mount terminal blocks via step-down jumper (284-414).

1 Commoning from 10 mm² (284-101) to 2.5 mm² (280-101) or 1.5 mm² (279-101) terminal blocks via terminal block rear side is not possible (see example: terminal block A to 11).

Supus modificărilor.