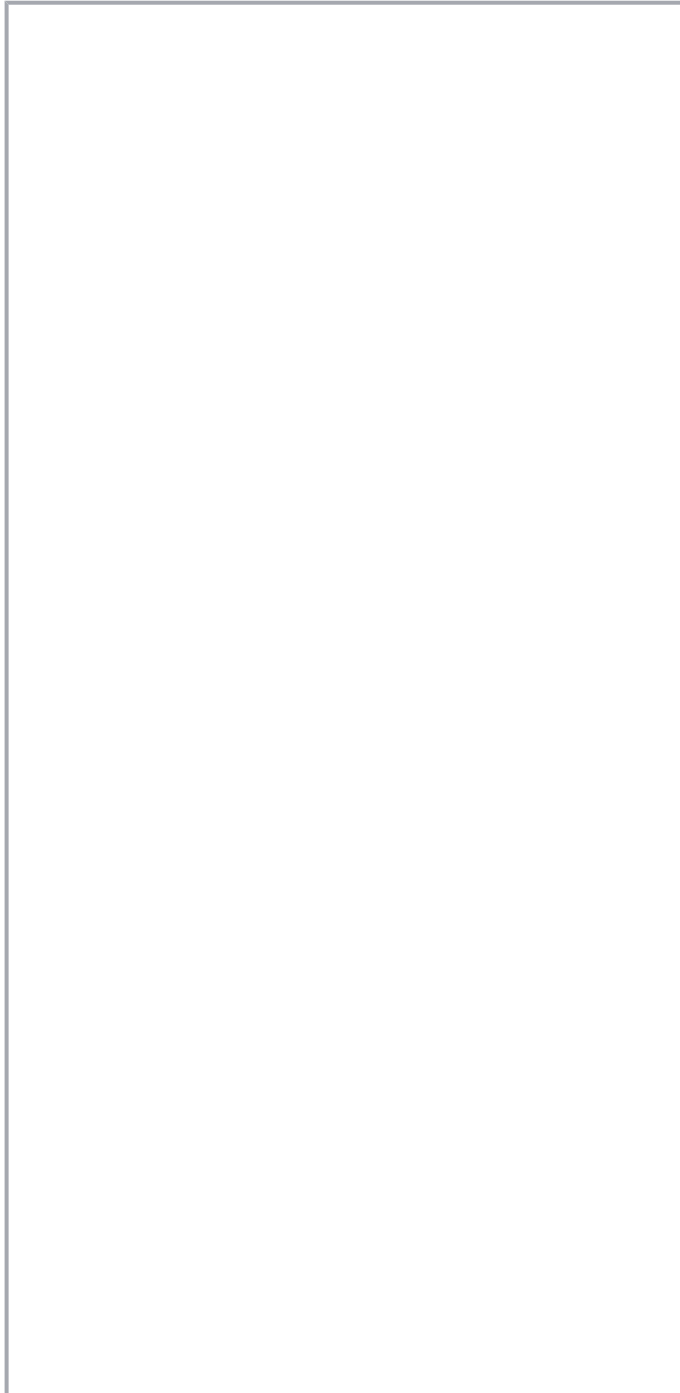


Fișă tehnică | Număr articol: 283-414

Step-down jumper; insulated; from 16 mm² to 4 mm²; Nominal current 32 A;
gray

www.wago.com/283-414




Supus modificărilor.

WAGO Kontakttechnik GmbH & Co. KG
/Representative Office Romania
Sos. Pipera-Tunari nr. 1/1
building 1, 2nd floor | 077190 Voluntari, Ilfov
Tel.: +40-(0)31 421 85 68 | Email: info-RO@wago.com

Aveți întrebări despre produsele noastre?
Vă stăm la dispoziție pentru preluarea apelului la +40 (0) 31 421 85 68.



Supus modificărilor.

RoHS 
CompliantCuloare: **Date****Electrical data****Ratings per IEC/EN 60664-1**

| | |
|---------------|------|
| Rated current | 32 A |
|---------------|------|

Geometrical Data

| | |
|-------|--------------------|
| Width | 8 mm / 0.315 inch |
| Depth | 13 mm / 0.512 inch |

Material Data

| | |
|-----------|----------|
| Color | gray |
| Fire load | 0,038 MJ |
| Weight | 4,9 g |

Commercial data

| | |
|-----------------------|----------------------------------|
| Product Group | 1 (Rail Mounted Terminal Blocks) |
| Packaging type | BOX |
| Country of origin | DE |
| GTIN | 4044918398589 |
| Customs tariff number | 85366990990 |

Counterpart**Descărcări****Documentation****Additional Information**

| | | | |
|------------------------|-------------|---------------|------------|
| Technical explanations | Apr 3, 2019 | pdf 2,1 MB | Descărcare |
|------------------------|-------------|---------------|------------|

Supus modificărilor.

WAGO Kontakttechnik GmbH & Co. KG
/Representative Office Romania
Sos. Pipera-Tunari nr. 1/1
building 1, 2nd floor | 077190 Voluntari, Ilfov
Tel.: +40-(0)31 421 85 68 | Email: info-RO@wago.com

Aveți întrebări despre produsele noastre?
Vă stăm la dispoziție pentru preluarea apelului la +40 (0) 31 421 85 68.

CAD/CAE-Data

CAD data

2D/3D Models 283-414

[URL](#)

[Descărcare](#)

CAE data

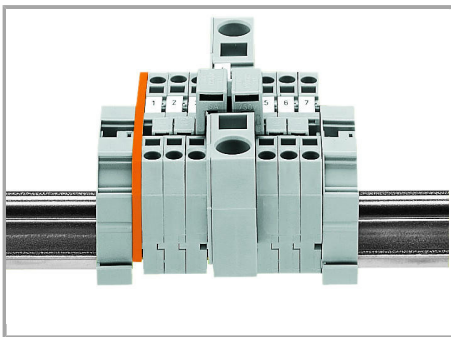
WSCAD Universe 283-414

[URL](#)

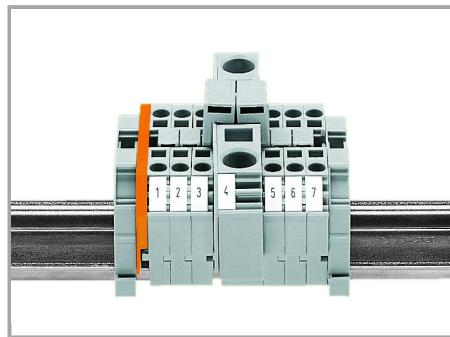
[Descărcare](#)

Installation Notes

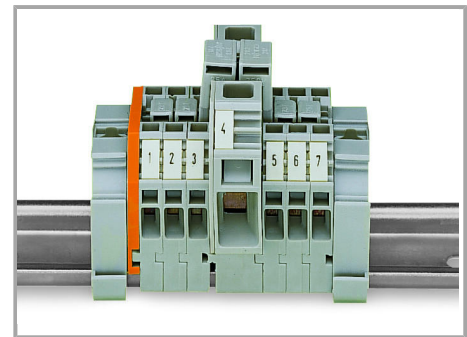
Jumpered



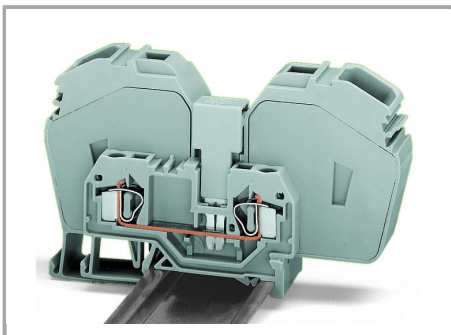
Commoning from 16 mm²/6 AWG (283 Series) to 4 mm²/12 AWG (281 Series) rail-mount terminal blocks via step-down jumpers.



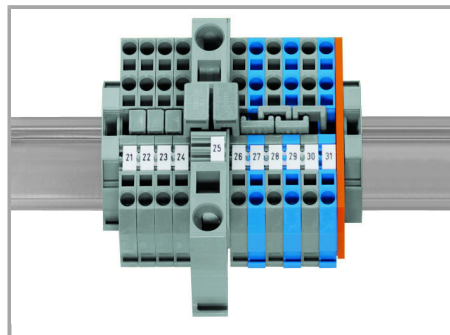
Commoning from 16 mm²/6 AWG (283 Series) to 4 mm²/12 AWG (281 Series) rail-mount terminal blocks via step-down jumpers.



Commoning from 16 mm²/6 AWG (283 Series) to 4 mm²/12 AWG (281 Series) rail-mount terminal blocks via step-down jumpers.

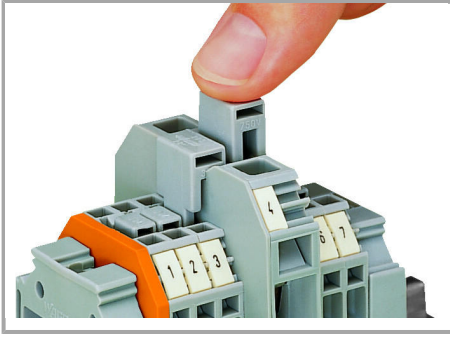


Commoning with step-down jumper (283-414) from 285 Series (35 mm²/2 AWG) to 281 Series terminal blocks (4 mm²/12 AWG).



Commoning from 16 mm²/6 AWG (283 Series) to 4 mm²/12 AWG (281 Series) rail-mount terminal blocks via step-down jumpers.

Supus modificărilor.



Commoning side-entry rail-mount terminal blocks via step-down jumpers.

Step down jumper down until fully inserted.

Supus modificărilor.