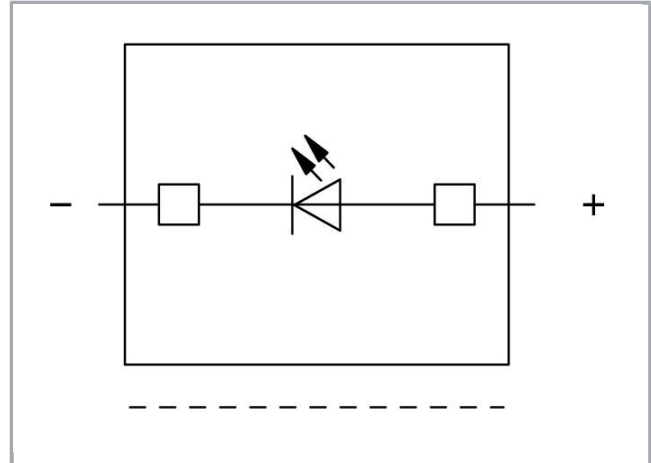
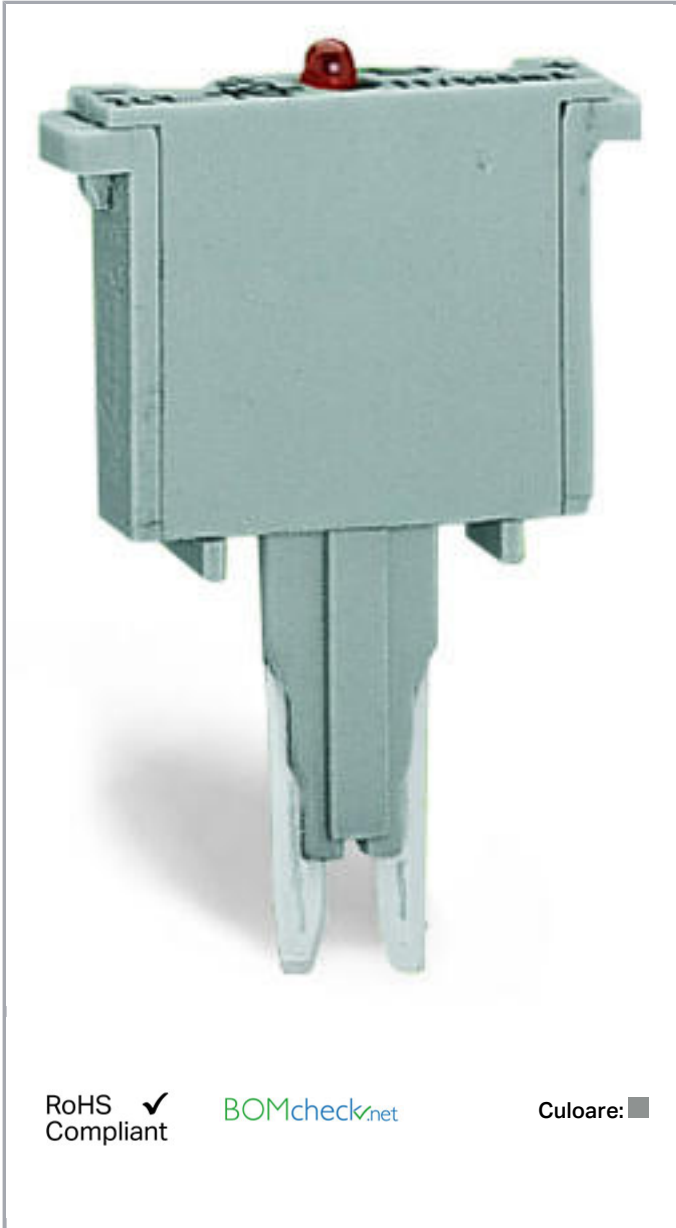


Fișă tehnică | Număr articol: 280-801/281-413

Component plug; for carrier terminal blocks; 1-pole; LED (red); 24 VDC; 5 mm wide; gray



www.wago.com/280-801/281-413



Date

Electrical data

Voltage type 1

DC

Supus modificărilor.

WAGO Kontakttechnik GmbH & Co. KG
/Representative Office Romania
Sos. Pipera-Tunari nr. 1/1
building 1, 2nd floor | 077190 Voluntari, Ilfov
Tel.: +40-(0)31 421 85 68 | Email: info-RO@wago.com

Aveți întrebări despre produsele noastre?
Vă stăm la dispoziție pentru preluarea apelului la +40 (0) 31 421 85 68.

Geometrical Data

Width	5 mm / 0.197 inch
-------	-------------------

Material Data

Color	gray
Insulation material	Polyamide 66 (PA 66)
Fire load	0,053 MJ
Weight	2,6 g


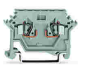



Commercial data

Product Group	1 (Rail Mounted Terminal Blocks)
Packaging type	BOX
Country of origin	DE
GTIN	4050821864851
Customs tariff number	85369010000

Counterpart

Produse compatibile

clamps

	Nr. articol: 280-610 3-conductor carrier terminal block; for DIN-rail 35 x 15 and 35 x 7.5; 2.5 mm ² ; CAGE CLAMP®; 2,50 mm ² ; gray	www.wago.com/280-610
	Nr. articol: 280-616 2-conductor carrier terminal block; for DIN-rail 35 x 15 and 35 x 7.5; 2.5 mm ² ; CAGE CLAMP®; 2,50 mm ² ; gray	www.wago.com/280-616
	Nr. articol: 280-686 4-conductor carrier terminal block; for DIN-rail 35 x 15 and 35 x 7.5; 2.5 mm ² ; CAGE CLAMP®; 2,50 mm ² ; gray	www.wago.com/280-686
	Nr. articol: 280-816 4-conductor carrier terminal block; for DIN-rail 35 x 15 and 35 x 7.5; 2.5 mm ² ; CAGE CLAMP®; 2,50 mm ² ; gray	www.wago.com/280-816
	Nr. articol: 280-916 2-conductor carrier terminal block; for DIN-rail 35 x 15 and 35 x 7.5; 2.5 mm ² ; CAGE CLAMP®; 2,50 mm ² ; gray	www.wago.com/280-916

Supus modificărilor.

WAGO Kontakttechnik GmbH & Co. KG
/Representative Office Romania
Sos. Pipera-Tunari nr. 1/1
building 1, 2nd floor | 077190 Voluntari, Ilfov
Tel.: +40-(0)31 421 85 68 | Email: info-RO@wago.com

Aveți întrebări despre produsele noastre?
Vă stăm la dispoziție pentru preluarea apelului la +40 (0) 31 421 85 68.



Descărcări

Documentation

Additional Information

Technical explanations	Apr 3, 2019	pdf 2,1 MB	Descărcare
------------------------	-------------	---------------	------------

CAD/CAE-Data

CAD data

2D/3D Models 280-801/281-413	URL	Descărcare
------------------------------	-----	------------

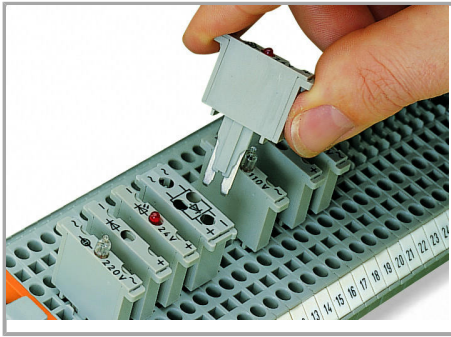
CAE data

WSCAD Universe 280-801/281-413	URL	Descărcare
--------------------------------	-----	------------

Installation Notes

Assembly

Supus modificărilor.



The monitoring of control and operating current circuits with LED modules on rail-mount terminal blocks provides several advantages:

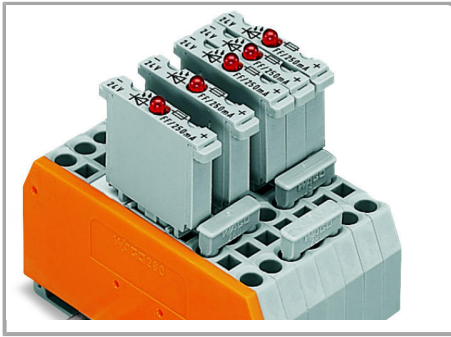
- No additional cost for assembly and wiring
-
- Separation into functional and wiring levels
-
- Modules can be replaced quickly by other types of modules
-

Additional advantages:

- Polarized switching direction
-
- Terminal blocks/modules provide high-density wiring in a width of just 5 mm
-

Jumpered

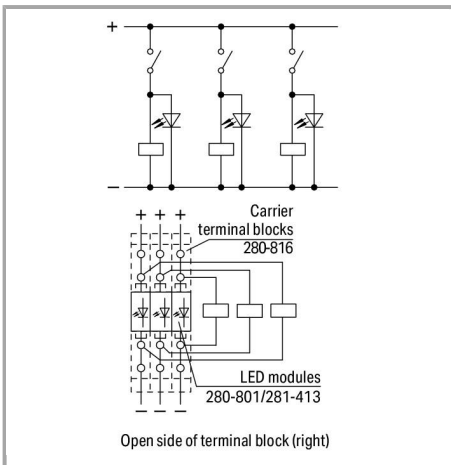
Supus modificărilor.



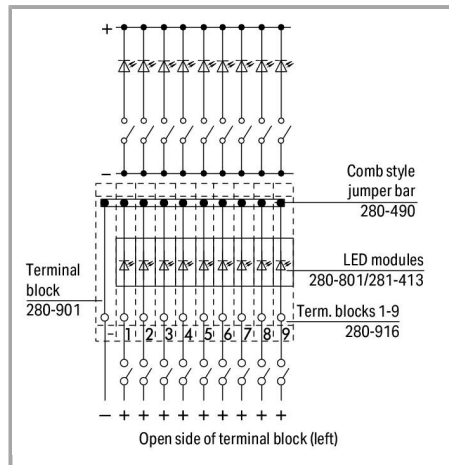
Carrier terminal blocks with component plugs,

alternate comb-style jumper bars,

3-way, comb-style jumper bar



Voltage control assigned to current circuits



LED gate for collective fault indication – individual display

Supus modificărilor.