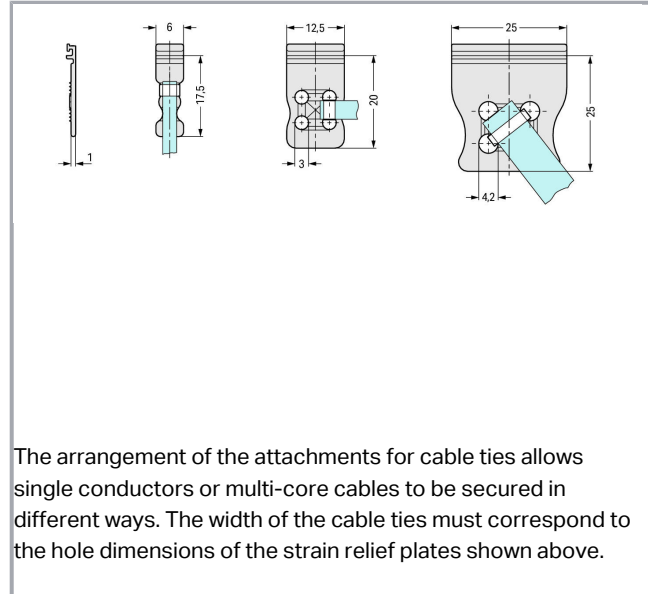




RoHS Compliant

BOMcheck.net

Culoare:



Date

Electrical data

Ratings per IEC/EN 60664-1

Legend (ratings)

(III / 2) ≙ Overvoltage category III / Pollution degree 2

Approvals per UL 1059

Approvals per

UL 1059

Connection data

Number of connection types

1

Geometrical Data

Width

25 mm / 0.984 inch

Supus modificărilor.

Mechanical data

Suitable for standard male and female connectors

Material Data


Color	light gray
Fire load	0,019 MJ
Weight	0,8 g

Commercial data

Product Group	3 (Multi Conn. System)
Packaging type	BOX
Country of origin	DE
GTIN	4017332604536
Customs tariff number	85389099990

Aprobări / certificate

Ship Approvals

Emblemă	Aprobare	Text de aprobare suplimentar	Nume certificat
	LR Lloyds Register	IEC 61984	96 /20035 (E5)

Counterpart

Descărcări

Documentation

Additional Information

Technical explanations	Apr 3, 2019	pdf 3,6 MB	Descărcare
------------------------	-------------	---------------	------------

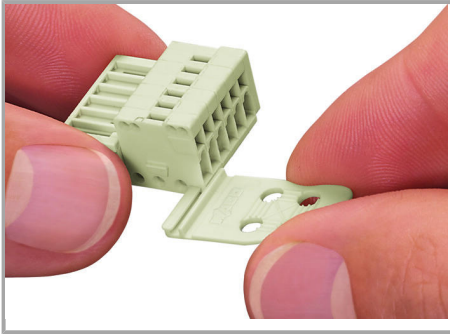
CAD/CAE-Data

CAD data

2D/3D Models 734-129	URL	Descărcare
Supus modificărilor.		

Installation Notes

Assembly



Strain relief plates for factory or in-the-field assembly.

Supus modificărilor.