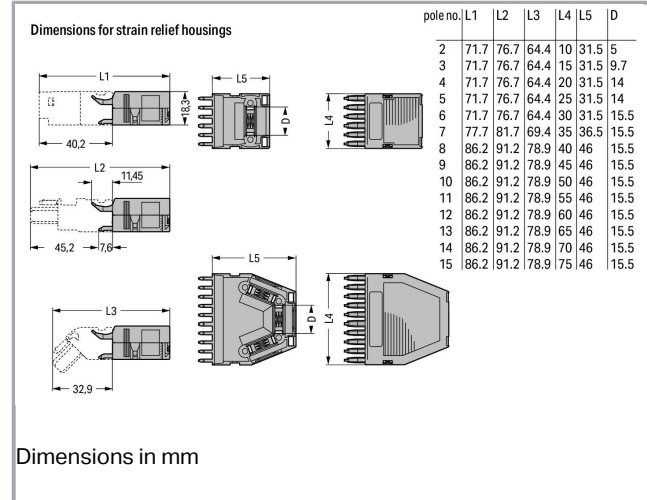


RoHS  Compliant

BOMcheck.net

Culoare:



**Date**

**Connection data**

Pole No. 12

**Geometrical Data**

Width 60 mm / 2.362 inch  
 Height 18.3 mm / 0.72 inch  
 Depth 46 mm / 1.811 inch

**Material Data**

Color gray  
 Fire load 0,43 MJ  
 Weight 14,3 g

Supus modificărilor.

WAGO Kontakttechnik GmbH & Co. KG  
 /Representative Office Romania  
 Sos. Pipera-Tunari nr. 1/1  
 building 1, 2nd floor | 077190 Voluntari, Ilfov  
 Tel.: +40-(0)31 421 85 68 | Email: info-RO@wago.com

Aveți întrebări despre produsele noastre?  
 Vă stăm la dispoziție pentru preluarea apelului la +40 (0) 31 421 85 68.

## Commercial data

Product Group	18 (X-COM-System)
Packaging type	BOX
Country of origin	DE
GTIN	4017332715133
Customs tariff number	85389099990

## Counterpart

## Produce compatibile

### Marking accessories

	<b>Nr. articol: 209-501</b> WSB marking card; as card; not stretchable; plain; snap-on type; white	<a href="http://www.wago.com/209-501">www.wago.com/209-501</a>
	<b>Nr. articol: 209-501/000-002</b> WSB marking card; as card; not stretchable; plain; snap-on type; yellow	<a href="http://www.wago.com/209-501/000-002">www.wago.com/209-501/000-002</a>
	<b>Nr. articol: 209-501/000-005</b> WSB marking card; as card; not stretchable; plain; snap-on type; red	<a href="http://www.wago.com/209-501/000-005">www.wago.com/209-501/000-005</a>
	<b>Nr. articol: 209-501/000-006</b> WSB marking card; as card; not stretchable; plain; snap-on type; blue	<a href="http://www.wago.com/209-501/000-006">www.wago.com/209-501/000-006</a>
	<b>Nr. articol: 209-501/000-007</b> WSB marking card; as card; not stretchable; plain; snap-on type; gray	<a href="http://www.wago.com/209-501/000-007">www.wago.com/209-501/000-007</a>
	<b>Nr. articol: 209-501/000-012</b> WSB marking card; as card; not stretchable; plain; snap-on type; orange	<a href="http://www.wago.com/209-501/000-012">www.wago.com/209-501/000-012</a>
	<b>Nr. articol: 209-501/000-017</b> WSB marking card; as card; not stretchable; plain; snap-on type; light green	<a href="http://www.wago.com/209-501/000-017">www.wago.com/209-501/000-017</a>
	<b>Nr. articol: 209-501/000-023</b> WSB marking card; as card; not stretchable; plain; snap-on type; green	<a href="http://www.wago.com/209-501/000-023">www.wago.com/209-501/000-023</a>

Supus modificărilor.

WAGO Kontakttechnik GmbH & Co. KG  
/Representative Office Romania  
Sos. Pipera-Tunari nr. 1/1  
building 1, 2nd floor | 077190 Voluntari, Ilfov  
Tel.: +40-(0)31 421 85 68 | Email: [info-RO@wago.com](mailto:info-RO@wago.com)

Aveți întrebări despre produsele noastre?  
Vă stăm la dispoziție pentru preluarea apelului la +40 (0) 31 421 85 68.



Nr. articol: 209-501/000-024

WSB marking card; as card; not stretchable; plain; snap-on type; violet

[www.wago.com/209-501/000-024](http://www.wago.com/209-501/000-024)

#### General accessories



Nr. articol: 209-173

Fixing screw; for cable clamp; 7 or more poles

[www.wago.com/209-173](http://www.wago.com/209-173)



Nr. articol: 209-174

Cable clamp; for strain relief; 7 or more poles

[www.wago.com/209-174](http://www.wago.com/209-174)

## Descărcări

### Documentation

#### Additional Information

Technical explanations

Apr 3, 2019

pdf  
2,1 MB

Descărcare

### CAD/CAE-Data

#### CAD data

2D/3D Models 769-1612

URL

Descărcare

#### CAE data

EPLAN Data Portal 769-1612

URL

Descărcare

WSCAD Universe 769-1612

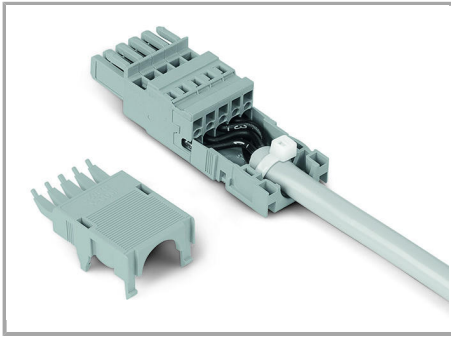
URL

Descărcare

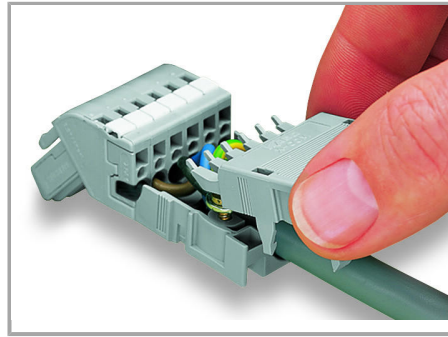
### Installation Notes

#### Installation

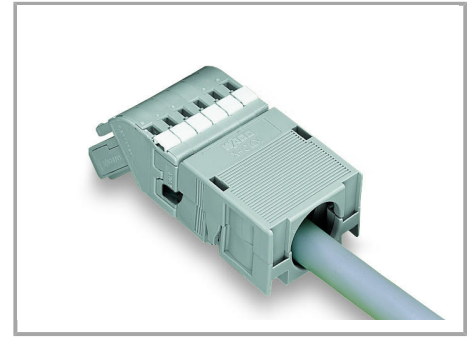
Supus modificărilor.



2- to 5-pole strain relief housings feature one cable outlet (rear side).



Snapping on a strain relief housing.

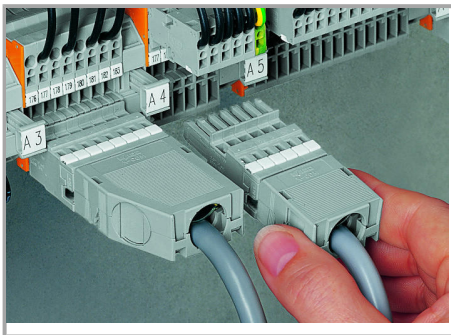


Snap-on type strain relief housing, consists of strain relief support and housing, 6-pole and 1-conductor female plugs, angled, 6-pole

6- to 9-pole strain relief housings feature two cable outlets and one cover.

10- to 16-pole strain relief housings feature three cable outlets and two covers.

#### Application



Application:

Snap-on type strain relief housings for 769 Series

Supus modificărilor.