

Fișă tehnică | Număr articol: 773-493

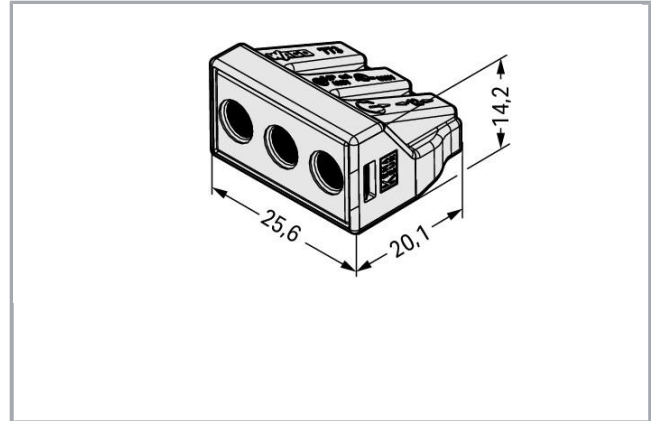
PUSH WIRE® connector for junction boxes; for solid and stranded conductors; for Ex applications; max. 2.5 mm²; 3-conductor; light gray housing; light gray cover; Surrounding air temperature: max 60°C; 6,00 mm²

www.wago.com/773-493



RoHS
Compliant

BOMcheck.net



Descriere articol

Note:

Terminating Aluminum Conductors

WAGO spring clamp terminal blocks are suitable for solid aluminum conductors up to 4 mm²/12 AWG if WAGO "Alu-Plus" Contact Paste is used for termination.

Supus modificărilor.

WAGO Kontakttechnik GmbH & Co. KG
/Representative Office Romania
Sos. Pipera-Tunari nr. 1/1
building 1, 2nd floor | 077190 Voluntari, Ilfov
Tel.: +40-(0)31 421 85 68 | Email: info-RO@wago.com

Aveți întrebări despre produsele noastre?

Vă stăm la dispoziție pentru preluarea apelului la +40 (0) 31 421 85 68.



"Alu-Plus" Contact Paste Advantages:

- Automatically destroys the oxide film during clamping.
- Prevents fresh oxidation at the clamping point.
- Prevents electrolytic corrosion between aluminum and copper conductors (in the same terminal block).
- Provides long-term protection against corrosion.

For spring clamp connections with PUSH WIRE® connection technology, **WAGO recommends that the aluminum conductor first be cleaned and then immediately inserted into the clamping unit filled with "Alu-Plus" contact paste.**

It is also possible to apply WAGO "Alu-Plus" **additionally** on the whole surface of the aluminum conductor before termination.

Please note that the nominal currents must be adapted to the reduced conductivity of the aluminum conductors::

2.5 mm² = 16 A

4 mm² = 22 A

Safety information 1:

275 V at a distance < 10 mm to parts of other potentials

Safety information 2:

To be used only in conjunction with 773-331 Mounting Carrier.

Date

Electrical data

Ratings per IEC/EN 60664-1

Ratings per	IEC/EN 60664-1
Rated current	42 A

Approvals Ex

Rated voltage EN (Ex e II)	550 V
----------------------------	-------

Connection data

Connection technology	PUSH WIRE®
Actuation type	Push-in
Connectable conductor materials	Copper Aluminum
Solid conductor	2,5 ... 6 mm ² / 14 ... 10 AWG
Strip length	12 ... 15 mm / 0.47 ... 0.59 inch
Total number of connection points	3

Supus modificărilor.

WAGO Kontakttechnik GmbH & Co. KG
/Representative Office Romania
Sos. Pipera-Tunari nr. 1/1
building 1, 2nd floor | 077190 Voluntari, Ilfov
Tel.: +40-(0)31 421 85 68 | Email: info-RO@wago.com

Aveți întrebări despre produsele noastre?
Vă stăm la dispoziție pentru preluarea apelului la +40 (0) 31 421 85 68.

Total number of potentials	1
Wiring type	Side-entry wiring

Geometrical Data

Width	25,6 mm / 1.008 inch
Height	14,2 mm / 0.559 inch
Depth	20,1 mm / 0.791 inch

Material Data

Cover color	light gray
Flammability class per UL94	V2
Fire load	0,113 MJ
Weight	5,8 g

Environmental Requirements


Surrounding air temperature (operation)	60 °C
Continuous operating temperature	105 °C

Commercial data

Product Group	7 (Push Wire Conn.)
Packaging type	BOX
Country of origin	CN
GTIN	4055143287593
Customs tariff number	85369010000

Aprobări / certificate

Ex-Approvals

Emblemă	Aprobare	Text de aprobare suplimentar	Nume certificat
	ATEX UL International Demko A/S	EN 60079	DEMKO 03 ATEX 131845U (II 2 G Ex eII C Gb)

UL-Approvals

Emblemă	Aprobare	Text de aprobare suplimentar	Nume certificat

Supus modificărilor.



UL
UL International Germany GmbH

UL 486C

E69654

Counterpart

Produce compatibile

Mounting adapter



Nr. articol: 773-331

Mounting carrier; for Ex applications; 773 Series - 2.5 mm² / 6 mm²; for DIN-35 rail mounting/screw mounting; light gray

www.wago.com/773-331

Descărcări

Documentation

Additional Information

Technical explanations

Apr 3, 2019

pdf
2,1 MB

Descărcare

CAD/CAE-Data

CAD data

2D/3D Models 773-493

URL

Descărcare

CAE data

WSCAD Universe 773-493

URL

Descărcare

Installation Notes

Supus modificărilor.

WAGO Kontakttechnik GmbH & Co. KG
/Representative Office Romania
Sos. Pipera-Tunari nr. 1/1
building 1, 2nd floor | 077190 Voluntari, Ilfov
Tel.: +40-(0)31 421 85 68 | Email: info-RO@wago.com

Aveți întrebări despre produsele noastre?
Vă stăm la dispoziție pentru preluarea apelului la +40 (0) 31 421 85 68.