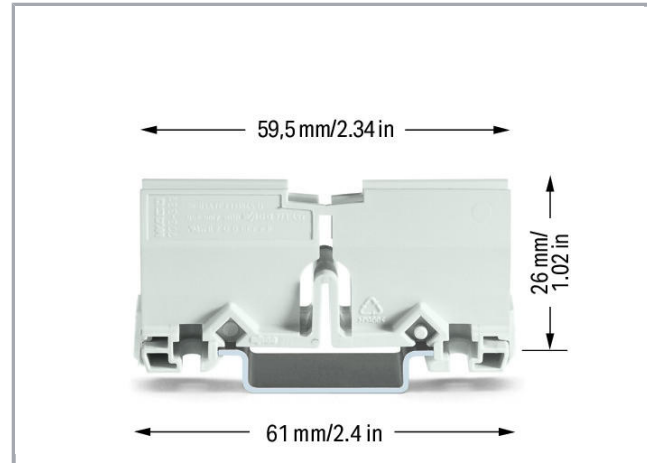
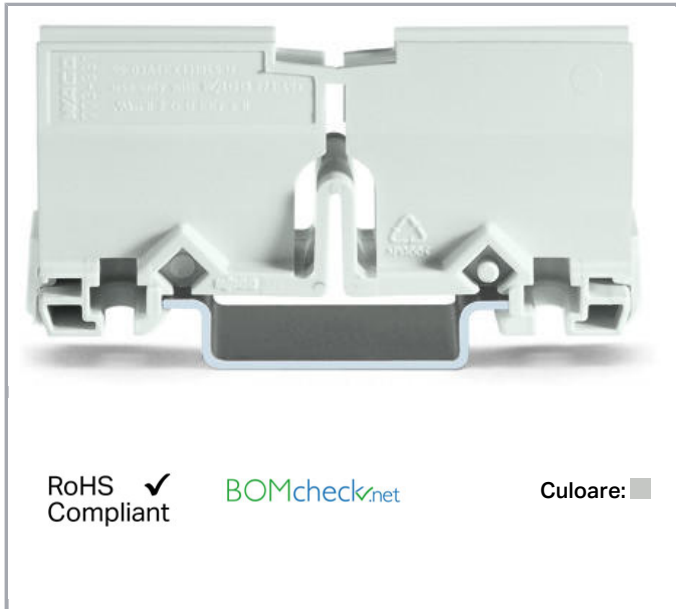


Fișă tehnică | Număr articol: 773-331

Mounting carrier; for Ex applications; 773 Series - 2.5 mm² / 6 mm²; for DIN-35 rail mounting/screw mounting; light gray



www.wago.com/773-331



RoHS Compliant

[BOMcheck.net](https://www.bomcheck.net)

Culoare:

Date

Geometrical Data

Width	18 mm / 0.709 inch
Height from upper-edge of DIN-rail	26 mm / 1.024 inch
Depth	61 mm / 2.402 inch

Material Data

Color	light gray
Fire load	0,262 MJ
Weight	8,7 g

Commercial data

Product Group	7 (Push Wire Conn.)
Packaging type	BOX
Country of origin	DE
GTIN	4044918526517
Customs tariff number	39269097900


Supus modificărilor.

WAGO Kontakttechnik GmbH & Co. KG
/Representative Office Romania
Sos. Pipera-Tunari nr. 1/1
building 1, 2nd floor | 077190 Voluntari, Ilfov
Tel.: +40-(0)31 421 85 68 | Email: info-RO@wago.com

Aveți întrebări despre produsele noastre?
Vă stăm la dispoziție pentru preluarea apelului la +40 (0) 31 421 85 68.

Aprobări / certificate






Ex-Approvals

Emblemă	Aprobare	Text de aprobare suplimentar	Nume certificat
	ATEX UL International Demko A/S	EN 60079	DEMKO 03 ATEX 131845U (II 2 G Ex eII C Gb)


Counterpart

Produce compatibile

General accessories

	Nr. articol: 773-492 PUSH WIRE® connector for junction boxes; for solid and stranded conductors; for Ex applications; max. 2.5 mm ² ; 2-conductor; light gray housing; light gray cover; Surrounding air temperature: max 60°C; 2,50 mm ²	www.wago.com/773-492
	Nr. articol: 773-493 PUSH WIRE® connector for junction boxes; for solid and stranded conductors; for Ex applications; max. 2.5 mm ² ; 3-conductor; light gray housing; light gray cover; Surrounding air temperature: max 60°C; 6,00 mm ²	www.wago.com/773-493
	Nr. articol: 773-494 PUSH WIRE® connector for junction boxes; for solid and stranded conductors; for Ex applications; max. 2.5 mm ² ; 4-conductor; light gray housing; light gray cover; Surrounding air temperature: max 60°C; 2,50 mm ²	www.wago.com/773-494
	Nr. articol: 773-496 PUSH WIRE® connector for junction boxes; for solid and stranded conductors; for Ex applications; max. 2.5 mm ² ; 6-conductor; light gray housing; light gray cover; Surrounding air temperature: max 60°C; 2,50 mm ²	www.wago.com/773-496
	Nr. articol: 773-498 PUSH WIRE® connector for junction boxes; for solid and stranded conductors; for Ex applications; max. 2.5 mm ² ; 8-conductor; light gray housing; light gray cover; Surrounding air temperature: max 60°C; 2,50 mm ²	www.wago.com/773-498

Marking accessories

	Nr. articol: 210-834 Marking strips; on reel; 5 mm wide; plain; Self-adhesive; white	www.wago.com/210-834
--	--	--

Supus modificărilor.

WAGO Kontakttechnik GmbH & Co. KG
/Representative Office Romania
Sos. Pipera-Tunari nr. 1/1
building 1, 2nd floor | 077190 Voluntari, Ilfov
Tel.: +40-(0)31 421 85 68 | Email: info-RO@wago.com

Aveți întrebări despre produsele noastre?
Vă stăm la dispoziție pentru preluarea apelului la +40 (0) 31 421 85 68.

Descărcări Documentation

Additional Information

Technical explanations

Apr 3, 2019

pdf
2,1 MB

Descărcare

CAD/CAE-Data

CAD data

2D/3D Models 773-331

URL

Descărcare

CAE data

EPLAN Data Portal 773-331

URL

Descărcare

WSCAD Universe 773-331

URL

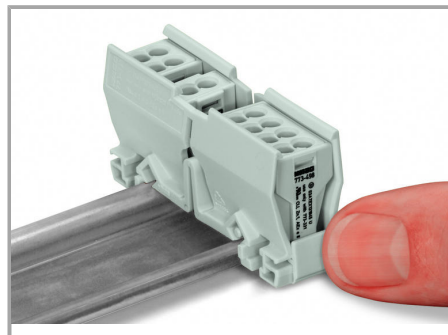
Descărcare

Installation Notes

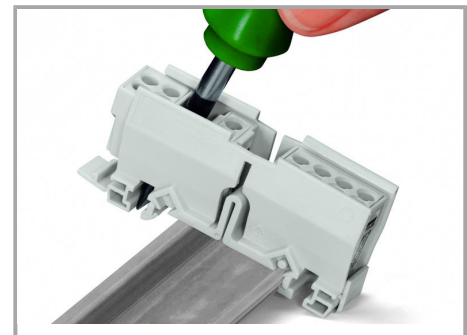
Assembly



Snap the mounting carrier onto the DIN-rail.

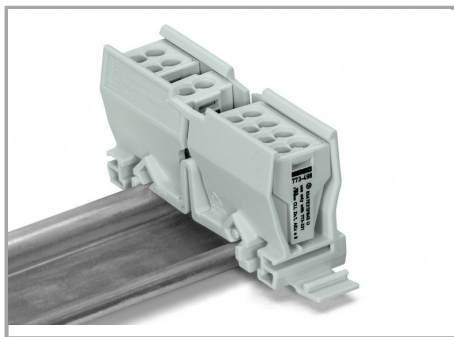


Use the cover as an end plate.



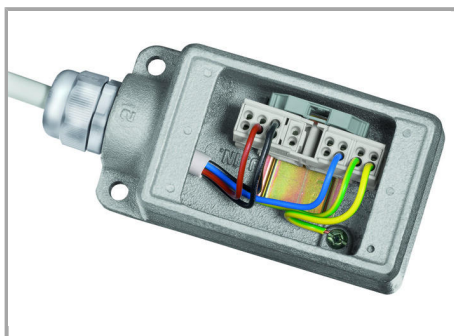
Remove the mounting carrier from the DIN-rail.

Supus modificărilor.



Insert the connectors into the carrier.

Application



Wiring example in an Ex junction box



Wiring example in an Ex junction box

Supus modificărilor.