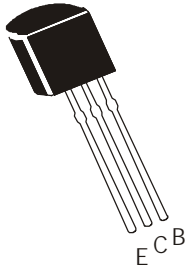


SILICON PLANAR EPITAXIAL TRANSISTORS



BC635 **BC636**
BC637 **BC638**
BC639 **BC640**
NPN **PNP**

TO-92
Plastic Package

Driver Stages of Audio Amplifiers Applications

Complementary PNP Transistors BC636, BC638, BC640

ABSOLUTE MAXIMUM RATINGS ($T_a=25^\circ\text{C}$ unless specified otherwise)

DESCRIPTION	SYMBOL	BC635	BC637	BC639	UNIT
		BC636	BC638	BC640	
Collector Emitter Voltage	V_{CEO}	45	60	80	V
Collector Base Voltage	V_{CBO}	45	60	80	V
Emitter Base Voltage	V_{EBO}		5.0		V
Collector Current Continuous	I_C		1.0		A
Power Dissipation @ $T_a=25^\circ\text{C}$	P_D		800		mW
Derate Above 25°C			6.4		mW/ $^\circ\text{C}$
Power Dissipation @ $T_c=25^\circ\text{C}$	P_D		2.75		W
Derate Above 25°C			22		mW/ $^\circ\text{C}$
Operating And Storage Junction Temperature Range	T_j, T_{stg}	-55 to +150			$^\circ\text{C}$

THERMAL RESISTANCE

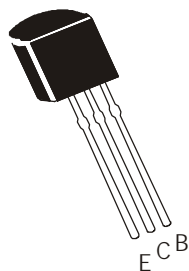
Junction to Ambient in free air	$R_{th(j-a)}$	156	$^\circ\text{C/W}$
Junction to case	$R_{th(j-c)}$	45	$^\circ\text{C/W}$

ELECTRICAL CHARACTERISTICS ($T_a=25^\circ\text{C}$ unless specified otherwise)

DESCRIPTION	SYMBOL	TEST CONDITION	BC635	BC637	BC639	UNIT
			BC636	BC638	BC640	
Collector Emitter Voltage	V_{CEO}^*	$I_C=10\text{mA}, I_B=0$	>45	>60	>80	V
Collector Base Voltage	V_{CBO}	$I_C=100\mu\text{A}, I_E=0$	>45	>60	>80	V
Emitter Base Voltage	V_{EBO}	$I_E=10\mu\text{A}, I_C=0$		>5.0		V
Collector Cut off Current	I_{CBO}	$V_{CB}=30\text{V}, I_E=0$		<100		nA
	I_{CBO}	$T_a=125^\circ\text{C}$ $V_{CB}=30\text{V}, I_E=0$		<10		μA
Base Emitter On Voltage	$V_{BE(on)}^*$	$I_C=500\text{mA}, V_{CE}=2\text{V}$		<1.0		V
Collector Emitter Saturation Voltage	$V_{CE(sat)}^*$	$I_C=500\text{mA}, I_B=50\text{mA}$		<0.5		V

*Pulse Condition: Width $\leq 300\text{ms}$, Duty Cycle $\leq 2\%$.

SILICON PLANAR EPITAXIAL TRANSISTORS



BC635 BC636
 BC637 BC638
 BC639 BC640
 NPN PNP

TO-92
 Plastic Package

Complementary PNP Transistors BC636, BC638, BC640

ELECTRICAL CHARACTERISTICS ($T_a=25^\circ\text{C}$ unless specified otherwise)

DESCRIPTION	SYMBOL	TEST CONDITION	BC635	BC637	BC639	UNIT
			BC636	BC638	BC640	
DC Current Gain	h_{FE}	$V_{CE}=2V, I_C=5mA$		>25		
		$V_{CE}=2V, I_C=150mA$	40-250	40-160	40-160	
		Group -10		63-160		
		Group -16		100-250		
		$V_{CE}=2V, I_C=500mA$		>25		

DYNAMIC CHARACTERISTICS

Transition Frequency	f_T				
	NPN	$I_C=50mA, V_{CE}=2V$		Typ 200	MHz
	PNP	$f=100MHz$		Typ 150	MHz
Output Capacitance	C_{ob}	$V_{CB}=10V, f=1MHz$			
	NPN			Typ 7.0	pF
	PNP			Typ 9.0	pF
Input Capacitance	C_{ib}				
	NPN	$I_C=0, V_{BE}=0.5V$		Typ 50	pF
	PNP	$f=1MHz$		Typ 110	pF

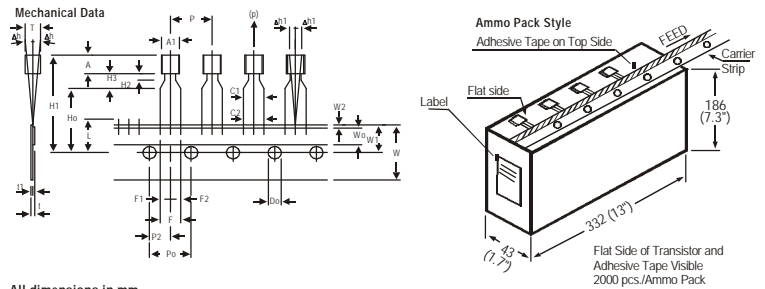
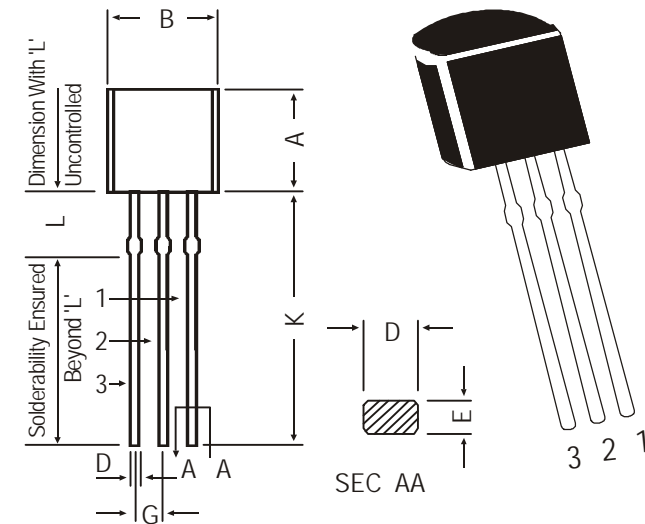
*Pulse Condition: Width $\leq 300ms$, Duty Cycle $\leq 2\%$.

BC635 BC636
 BC637 BC638
 BC639 BC640
 NPN PNP

TO-92
 Plastic Package

TO-92 Plastic Package

TO-92 Transistors in Tape and Ammo Pack



All dimensions in mm

ITEM	SYMBOL	SPECIFICATION				REMARKS
		MIN.	NOM.	MAX.	TOL.	
BODY WIDTH	A1	4.0	4.8			
BODY HEIGHT	A	4.8	5.2			
BODY THICKNESS	T	3.9	4.2			
PITCH OF COMPONENT	P	12.7			± 1.0	CUMULATIVE PITCH ERROR 1.0 mm/20 PITCH
FEED HOLE PITCH	Po	12.7			± 0.3	
FEED HOLE CENTRE TO COMPONENT CENTRE	P2	6.35			± 0.4	TO BE MEASURED AT BOTTOM OF CLINCH
DISTANCE BETWEEN OUTER LEADS	F	5.08			-0.2	
COMPONENT ALIGNMENT SIDE VIEW	Δh	0	1.0			AT TOP OF BODY
COMPONENT ALIGNMENT FRONT VIEW	Δh1	0	1.3			AT TOP OF BODY
TAPE WIDTH	W	18			± 0.5	
HOLD-DOWN TAPE WIDTH	Wo	6			± 0.2	
HOLE POSITION	W1	9			+0.7 -0.5	
HOLD-DOWN TAPE POSITION	W2	0.5			± 0.2	
LEAD WIRE CLINCH HEIGHT	Ho	16			± 0.5	
COMPONENT HEIGHT	H1		23.25			
LENGTH OF SNIPPED LEADS	L		11.0			
FEED HOLE DIAMETER	Do		4		± 0.2	
TOTAL TAPE THICKNESS	t		1.2			t1 0.3-0.6
LEAD - TO - LEAD DISTANCE	F1, F2	2.54			+0.4 -0.1	
STAND OFF	H2	0.45		1.45		
CLINCH HEIGHT	H3			3.0		
LEAD PARALLELISM	C1 - C2			0.22		
PULL - OUT FORCE	(P)		6N			

NOTES

- Maximum alignment deviation between leads will not to be greater than 0.2mm.
- Maximum non-cumulative variation between tape feed holes shall not exceed 1 mm in 20 pitches.
- Holddown tape will not exceed beyond the edge(s) of carrier tape and there shall be no exposure of adhesive.
- There will be no more than three (3) consecutive missing components in a tape.
- A tape trailer, having at least three feed holes are provided after the last component in a tape.
- Splices should not interfere with the sprocket feed holes.

DIM	MIN.	MAX.
A	4.32	5.33
B	4.45	5.20
C	3.18	4.19
D	0.41	0.55
E	0.35	0.50
F	5 DEG	
G	1.14	1.40
H	1.14	1.53
K	12.70	—
L	1.982	2.082

All dimensions in mm.

PIN CONFIGURATION

1. BASE
2. COLLECTOR
3. EMITTER

Packing Detail

PACKAGE	STANDARD PACK		INNER CARTON BOX		OUTER CARTON BOX		
	Details	Net Weight/Qty	Size	Qty	Size	Qty	Gr Wt
TO-92 Bulk	1K/polybag	200 gm/1K pcs	3" x 7.5" x 7.5"	5K	17" x 15" x 13.5"	80K	23 kgs
TO-92 T&A	2K/ammo box	645 gm/2K pcs	12.5" x 8" x 1.8"	2K	17" x 15" x 13.5"	32K	12.5 kgs

Notes

BC635 **BC636**
BC637 **BC638**
BC639 **BC640**
NPN **PNP**

TO-92
Plastic Package

Disclaimer

The product information and the selection guides facilitate selection of the CDIL's Discrete Semiconductor Device(s) best suited for application in your product(s) as per your requirement. It is recommended that you completely review our Data Sheet(s) so as to confirm that the Device(s) meet functionality parameters for your application. The information furnished in the Data Sheet and on the CDIL Web Site/CD are believed to be accurate and reliable. CDIL however, does not assume responsibility for inaccuracies or incomplete information. Furthermore, CDIL does not assume liability whatsoever, arising out of the application or use of any CDIL product; neither does it convey any license under its patent rights nor rights of others. These products are not designed for use in life saving/support appliances or systems. CDIL customers selling these products (either as individual Discrete Semiconductor Devices or incorporated in their end products), in any life saving/support appliances or systems or applications do so at their own risk and CDIL will not be responsible for any damages resulting from such sale(s).

CDIL strives for continuous improvement and reserves the right to change the specifications of its products without prior notice.



CDIL is a registered Trademark of
Continental Device India Limited

C-120 Naraina Industrial Area, New Delhi 110 028, India.
Telephone + 91-11-579 6150 Fax + 91-11-579 9569, 579 5290
e-mail sales@cdil.com www.cdil.com

This datasheet has been downloaded from:

www.DatasheetCatalog.com

Datasheets for electronic components.