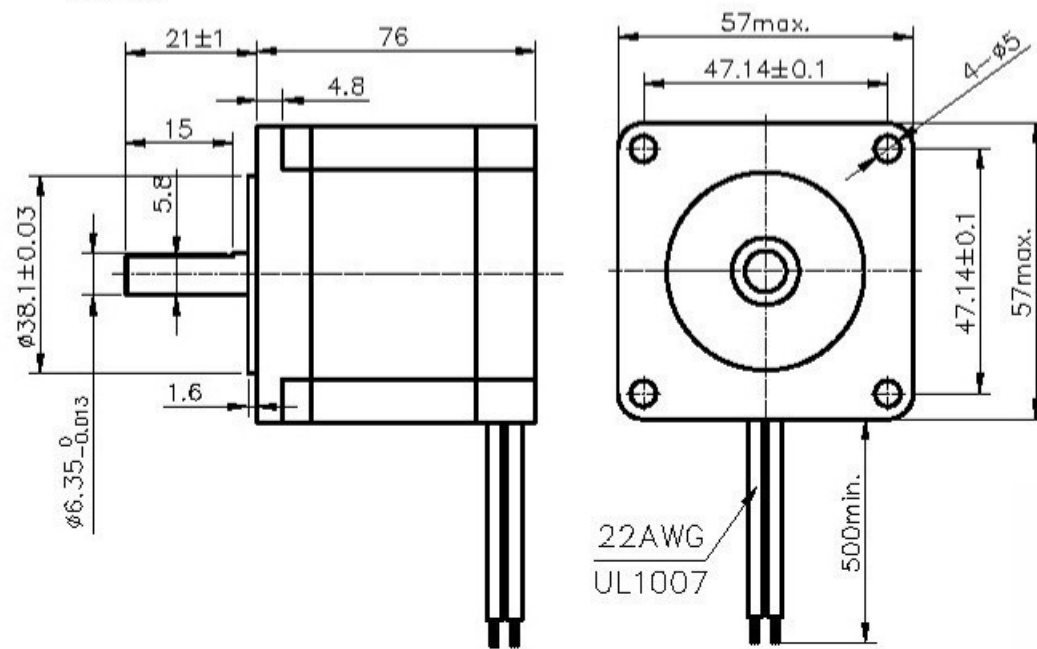
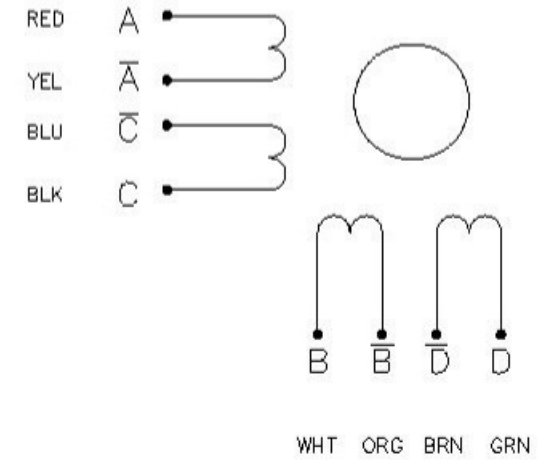


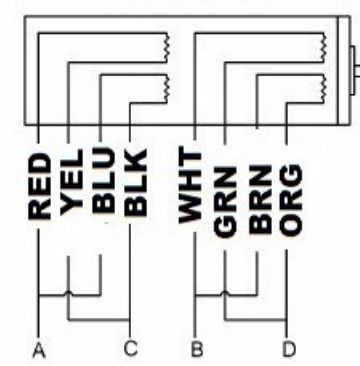
Dimension:  
Unit=mm



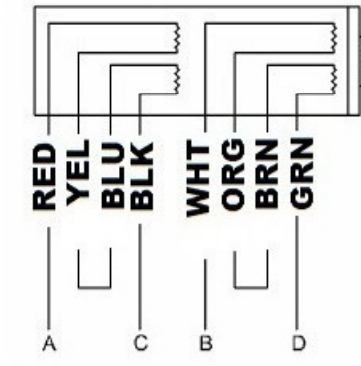
Wiring Diagram:



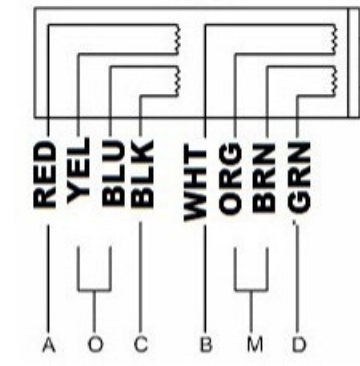
Bi-polar parallel



Bi-polar series



Uni-polar



Specifications:

Phase	4			
Step Angle	1.8			deg.
	PARALLEL	UNIPOLAR	SERIES	
Voltage	2.1	3	4.2	V
Current	4.2	3	2.1	A
Resistance	0.5	1	2	±10%
Inductance	1.8	1.8	7.2	±20% mH
Holding Torque	2	1.5	2	N.m
Insulation Class	B			
Mass	1.1			kg

**ACTION**

**SM1.8-D19-CS**