



US007797448C1

(12) **EX PARTE REEXAMINATION CERTIFICATE** (11381st)  
**United States Patent**  
**Szoke**

(10) **Number:** **US 7,797,448 C1**  
(45) **Certificate Issued:** **Sep. 10, 2018**

- (54) **GPS-INTERNET LINKAGE**
- (75) Inventor: **Ernest G Szoke**, Doylestown, PA (US)
- (73) Assignee: **BLACKBIRD TECH LLC**, Boston, MA (US)

**Reexamination Request:**  
No. 90/014,048, Nov. 15, 2017

**Reexamination Certificate for:**  
Patent No.: **7,797,448**  
Issued: **Sep. 14, 2010**  
Appl. No.: **09/699,192**  
Filed: **Oct. 28, 2000**

**Related U.S. Application Data**

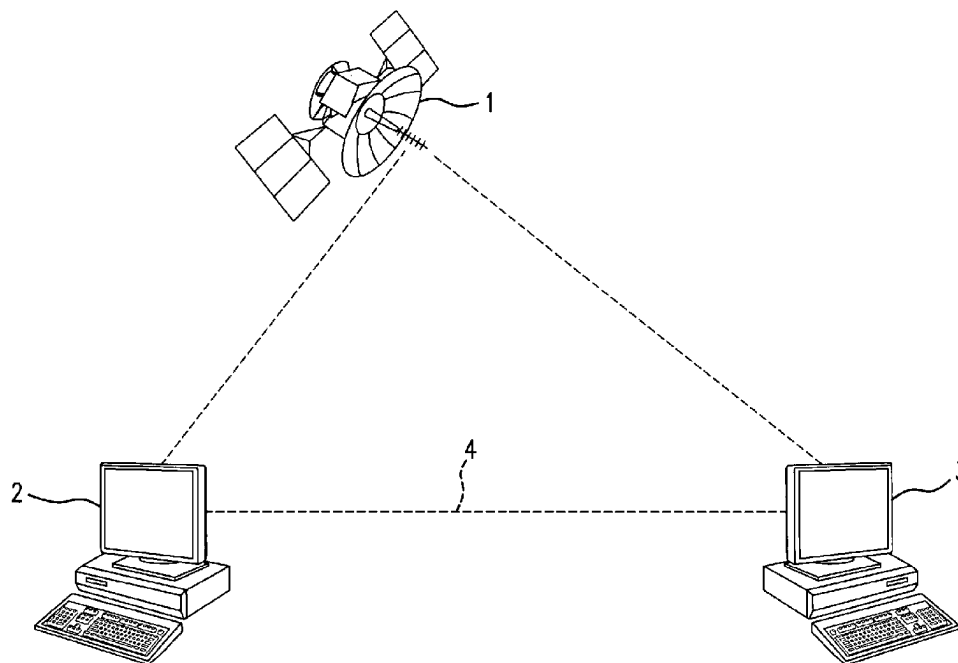
- (60) Provisional application No. 60/162,169, filed on Oct. 28, 1999.
- (51) **Int. Cl.**  
**G06F 15/16** (2006.01)  
**G01S 5/00** (2006.01)  
**H04L 29/08** (2006.01)

- H04W 4/02** (2018.01)
- G01S 19/14** (2010.01)
- (52) **U.S. Cl.**  
CPC ..... **G01S 5/0072** (2013.01); **G01S 19/14** (2013.01); **H04L 67/18** (2013.01); **H04W 4/02** (2013.01); **G06F 2221/2111** (2013.01)
- (58) **Field of Classification Search**  
None  
See application file for complete search history.

(56) **References Cited**  
  
To view the complete listing of prior art documents cited during the proceeding for Reexamination Control Number 90/014,048, please refer to the USPTO's public Patent Application Information Retrieval (PAIR) system under the Display References tab.

*Primary Examiner* — David England

(57) **ABSTRACT**  
An integrated system comprising the Global Positioning System and the Internet wherein the integrated system can identify the precise geographical location of both sender and receiver communicating computer terminals.



**EX PARTE  
REEXAMINATION CERTIFICATE**

THE PATENT IS HEREBY AMENDED AS 5  
INDICATED BELOW.

AS A RESULT OF REEXAMINATION, IT HAS BEEN  
DETERMINED THAT:

Claims 1-13 are cancelled. 10

\* \* \* \* \*