

BRONZAMO

CONTENT

SFERA COLLECTION	PAG. 02
COMETA COLLECTION	PAG. 24
LEVA COLLECTION	PAG. 38
MAESTOSO COLLECTION	PAG. 48



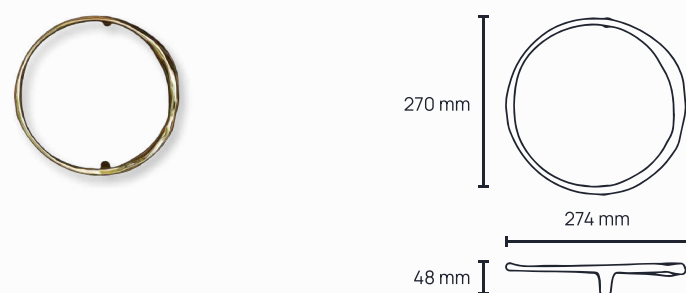
**SFERA
COLLECTION**



NAME Callisto
REF. NUMBER FSI2_0
MATERIAL Bronze
DIMENSIONS
Height 473 mm
Length 481 mm
Depth 84 mm
WEIGHT 4.8 kg



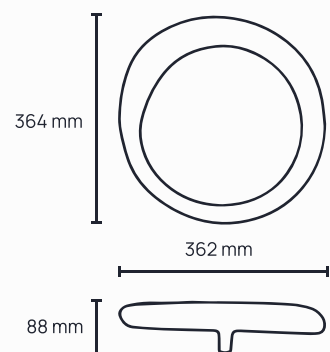
NAME Dione
REF. NUMBER FSI2_1
MATERIAL Bronze
DIMENSIONS
Height 359 mm
Length 365 mm
Depth 63 mm
WEIGHT 2 kg



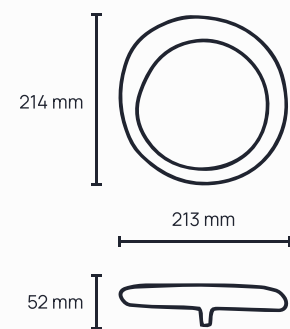
NAME Io
REF. NUMBER FSI2_2
MATERIAL Bronze
DIMENSIONS
Height 270 mm
Length 274 mm
Depth 48 mm
WEIGHT 890 g



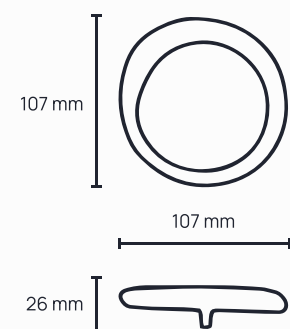




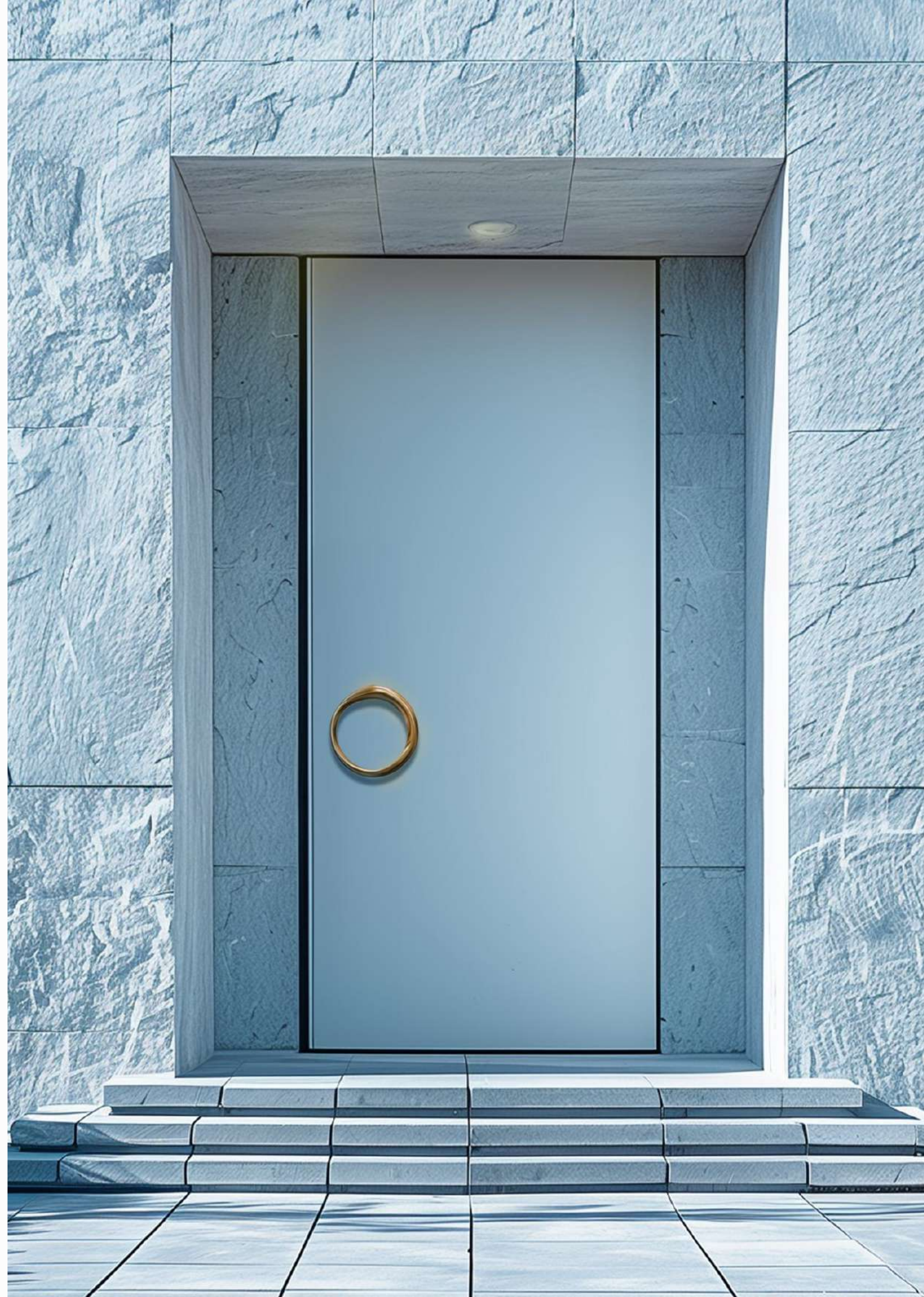
NAME	Titan
REF. NUMBER	FSI0_0
MATERIAL	Bronze
DIMENSIONS	
Height	364 mm
Length	362 mm
Depth	88 mm
WEIGHT	10.5 kg



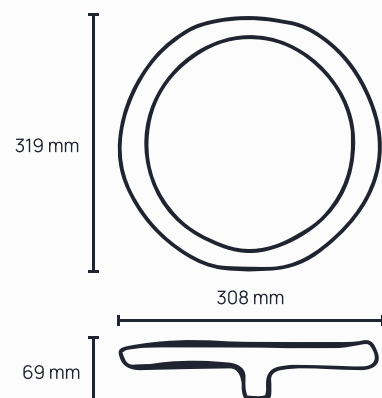
NAME	Triton
REF. NUMBER	FSI0_1
MATERIAL	Bronze
DIMENSIONS	
Height	214 mm
Length	213 mm
Depth	52 mm
WEIGHT	2 kg



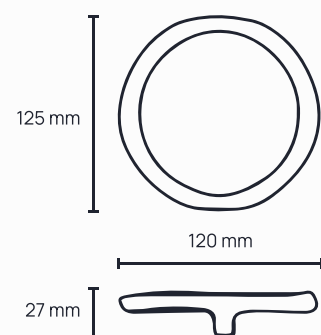
NAME	Rhea
REF. NUMBER	FSI0_2
MATERIAL	Bronze
DIMENSIONS	
Height	107 mm
Length	107 mm
Depth	26 mm
WEIGHT	271 g



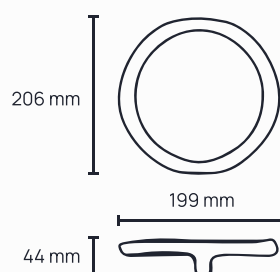




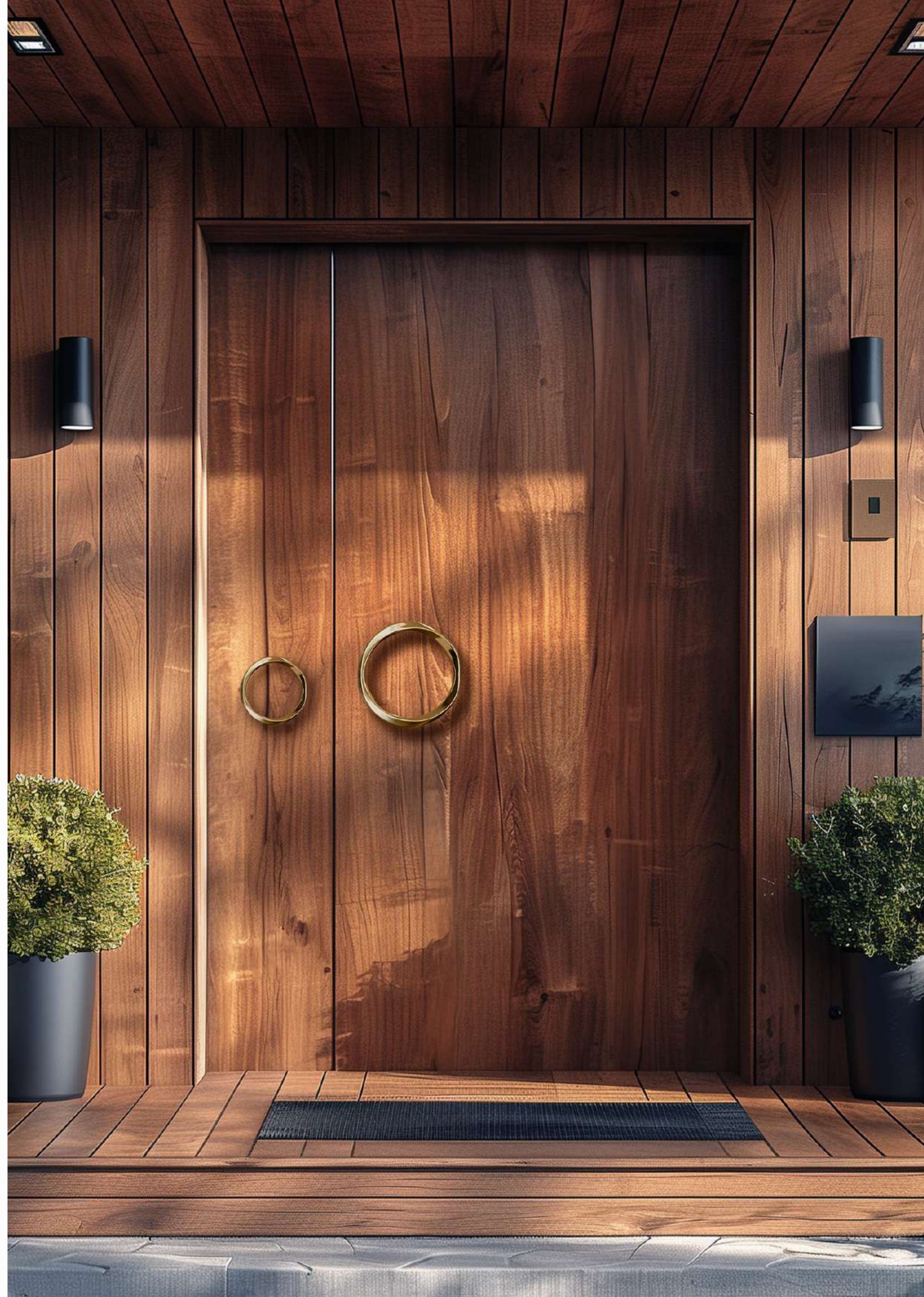
NAME Titania
REF. NUMBER FSI1_0
MATERIAL Bronze
DIMENSIONS
Height 319 mm
Length 308 mm
Depth 69 mm
WEIGHT 4.8 kg



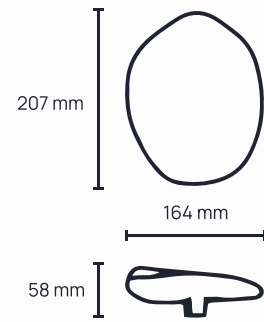
NAME Oberon
REF. NUMBER FSI1_1
MATERIAL Bronze
DIMENSIONS
Height 206 mm
Length 199 mm
Depth 44 mm
WEIGHT 1.3 kg



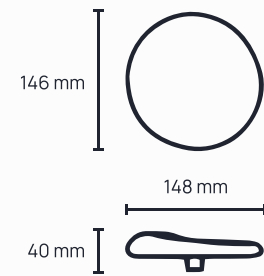
NAME Lapetus
REF. NUMBER FSI1_2
MATERIAL Bronze
DIMENSIONS
Height 125 mm
Length 120 mm
Depth 27 mm
WEIGHT 290g



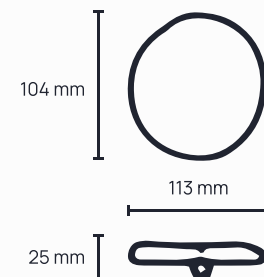




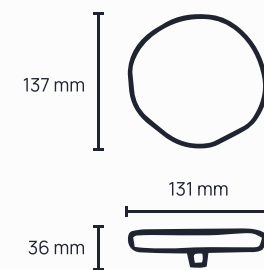
NAME Mars
REF. NUMBER RC0
MATERIAL Bronze
DIMENSIONS
 Height 207 mm
 Length 164 mm
 Depth 58 mm
WEIGHT 3.7 kg



NAME Earth
REF. NUMBER RM15
MATERIAL Bronze
DIMENSIONS
 Height 146 mm
 Length 148 mm
 Depth 40 mm
WEIGHT 2 kg



NAME Ganymede
REF. NUMBER RM16
MATERIAL Bronze
DIMENSIONS
 Height 104 mm
 Length 113 mm
 Depth 25 mm
WEIGHT 820 g



NAME Gaia
REF. NUMBER RM20
MATERIAL Bronze
DIMENSIONS
 Height 137 mm
 Length 131 mm
 Depth 36 mm
WEIGHT 1.5 kg





MARS



EARTH



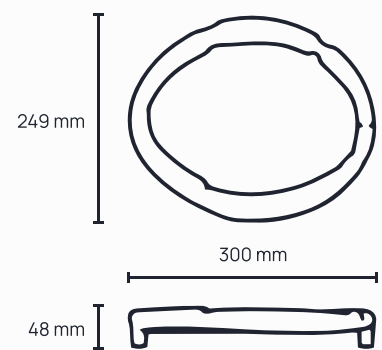
GANYMEDE

GAIA

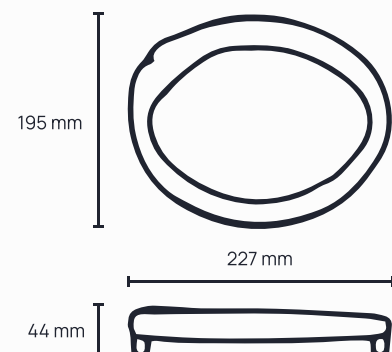


SATURN

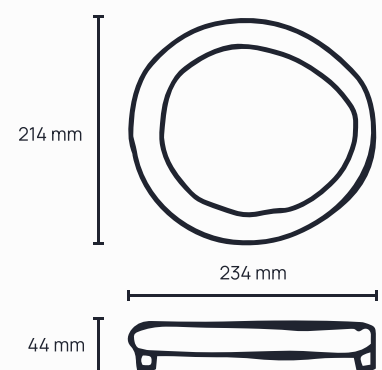




NAME Saturn
REF. NUMBER RM18
MATERIAL Bronze
DIMENSIONS
Height 249 mm
Length 300 mm
Depth 48 mm
WEIGHT 3.5 kg

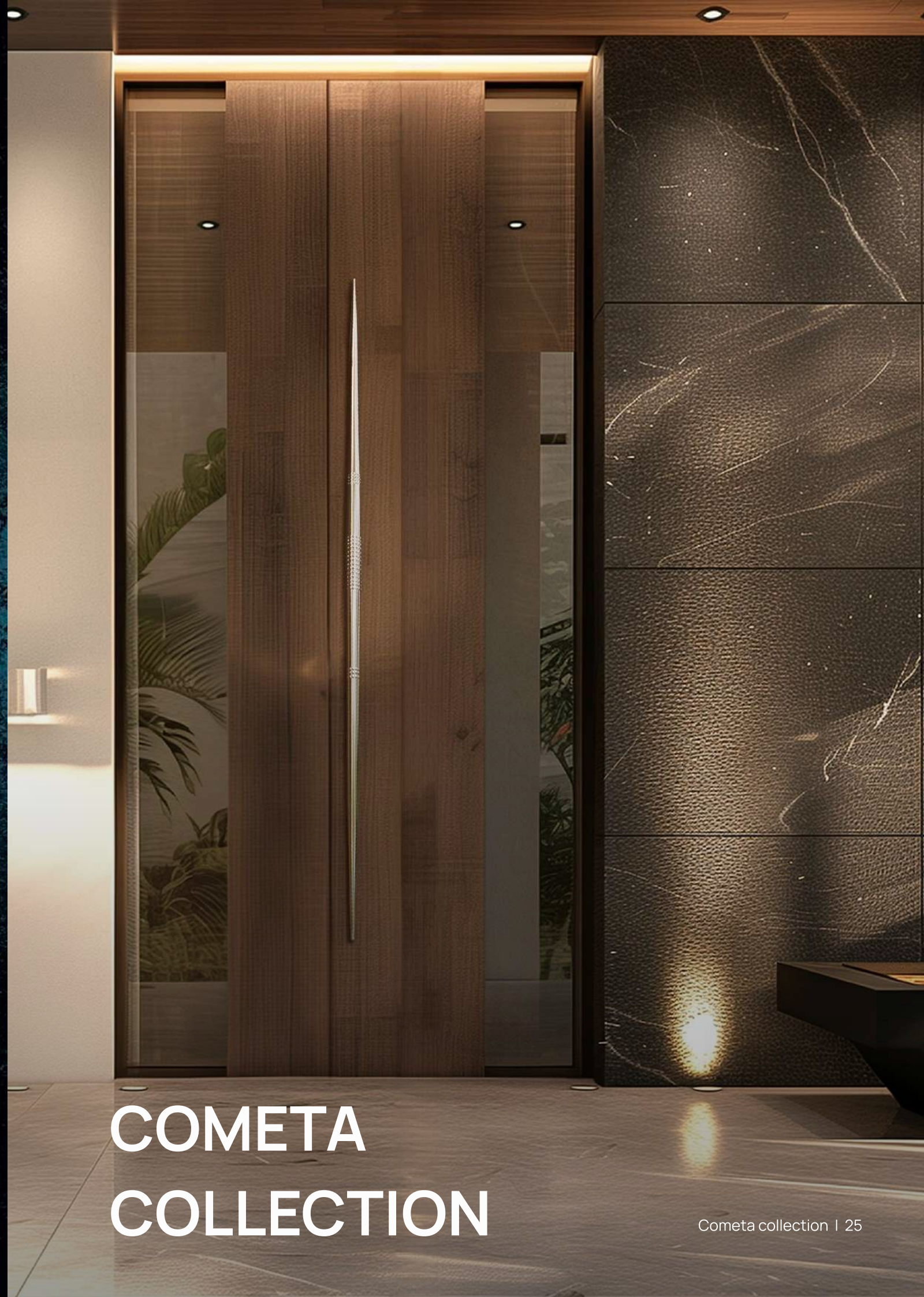
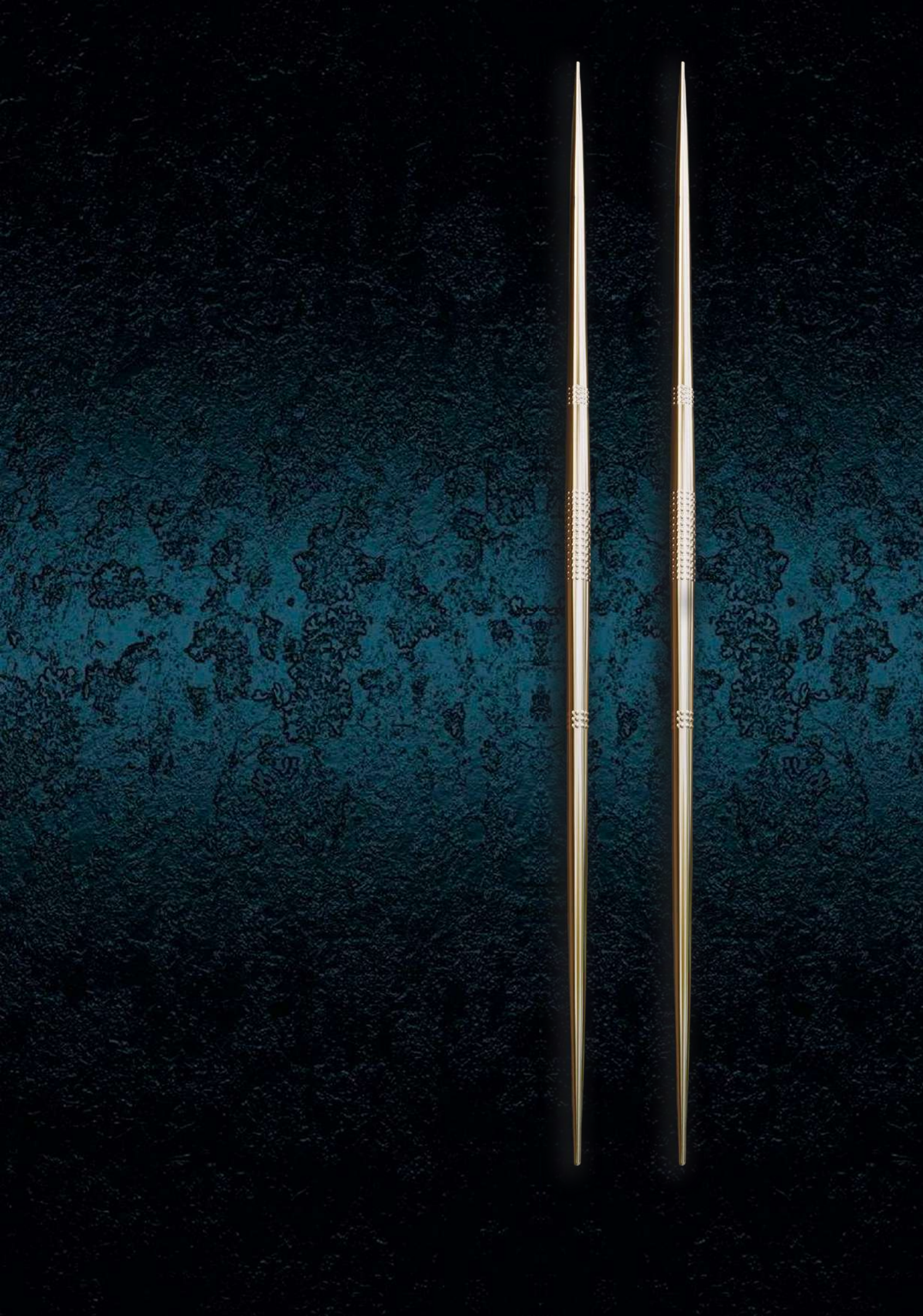


NAME Uran
REF. NUMBER RM17
MATERIAL Bronze
DIMENSIONS
Height 195 mm
Length 227 mm
Depth 44 mm
WEIGHT 2.4 kg

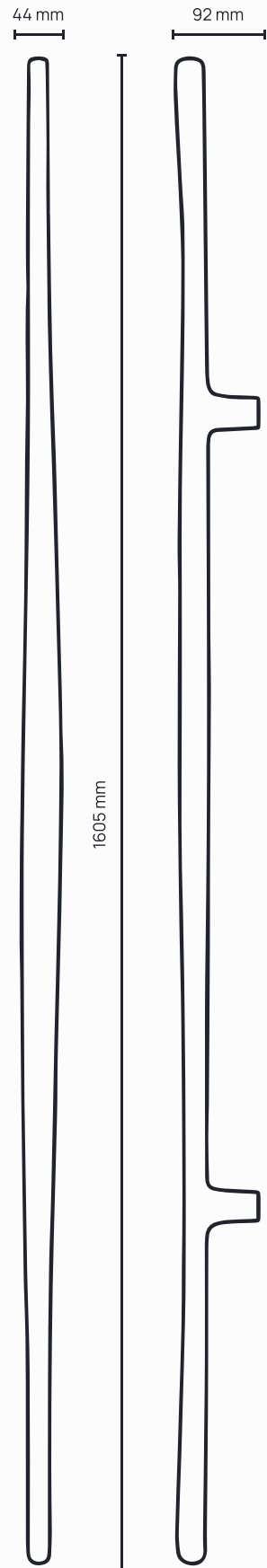


NAME Mercury
REF. NUMBER RM19
MATERIAL Bronze
DIMENSIONS
Height 214 mm
Length 234 mm
Depth 44 mm
WEIGHT 2.9 kg

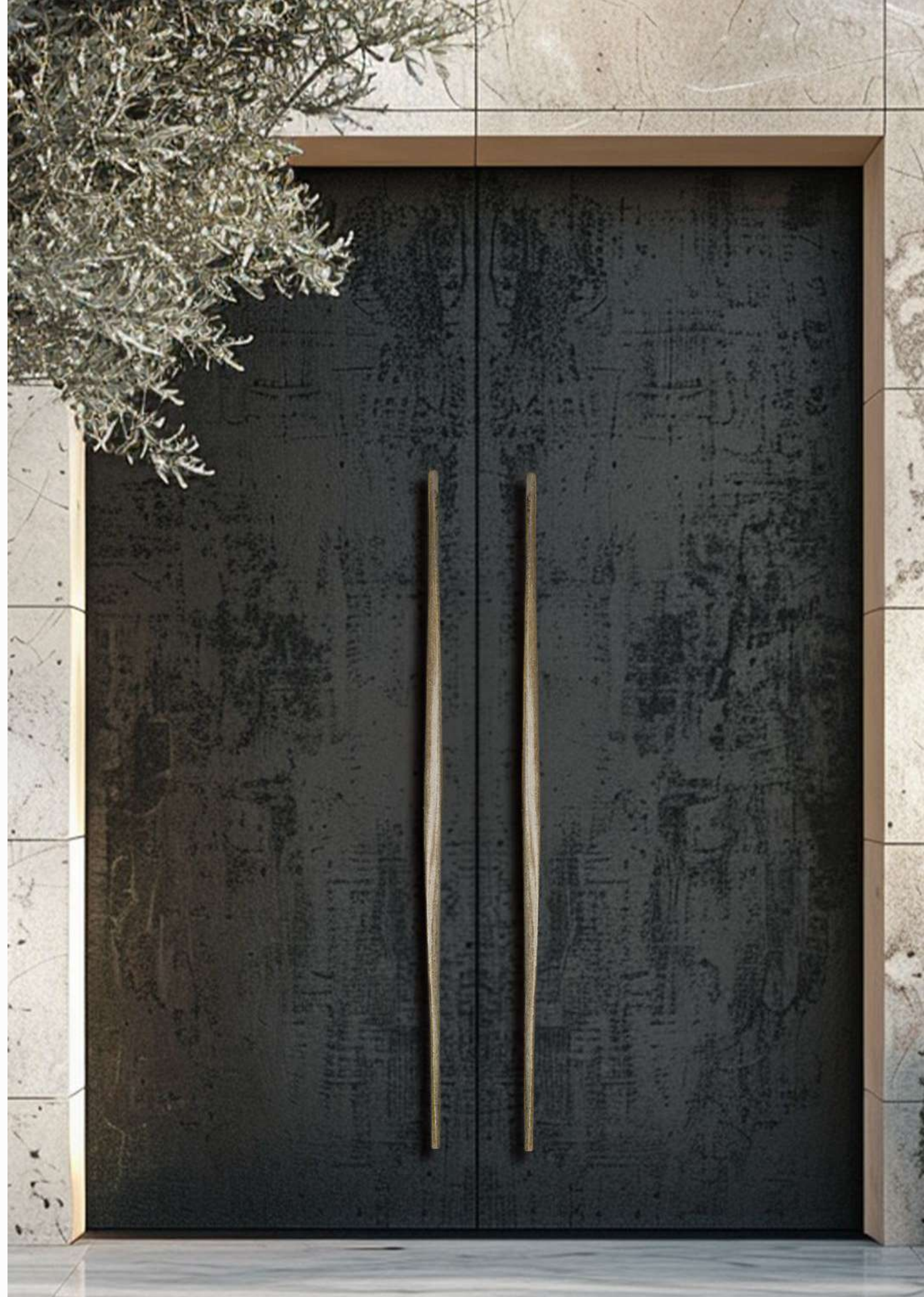


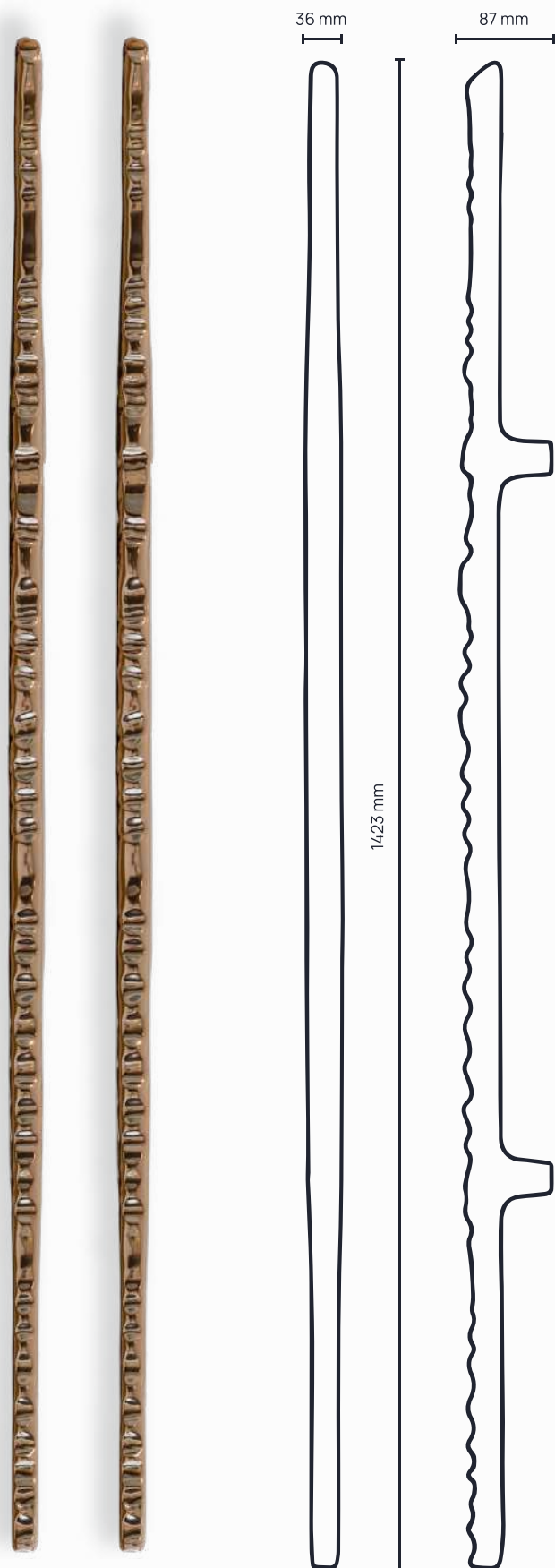


COMETA COLLECTION



NAME	Elandropa
REF. NUMBER	RB0
MATERIAL	Bronze
DIMENSIONS	
Height	1605 mm
Length	44 mm
Depth	92 mm
WEIGHT	10.4 kg





NAME	Andropa
REF. NUMBER	RBG0
MATERIAL	Bronze
DIMENSIONS	
Height	1423 mm
Length	36 mm
Depth	87 mm
WEIGHT	10.3 kg





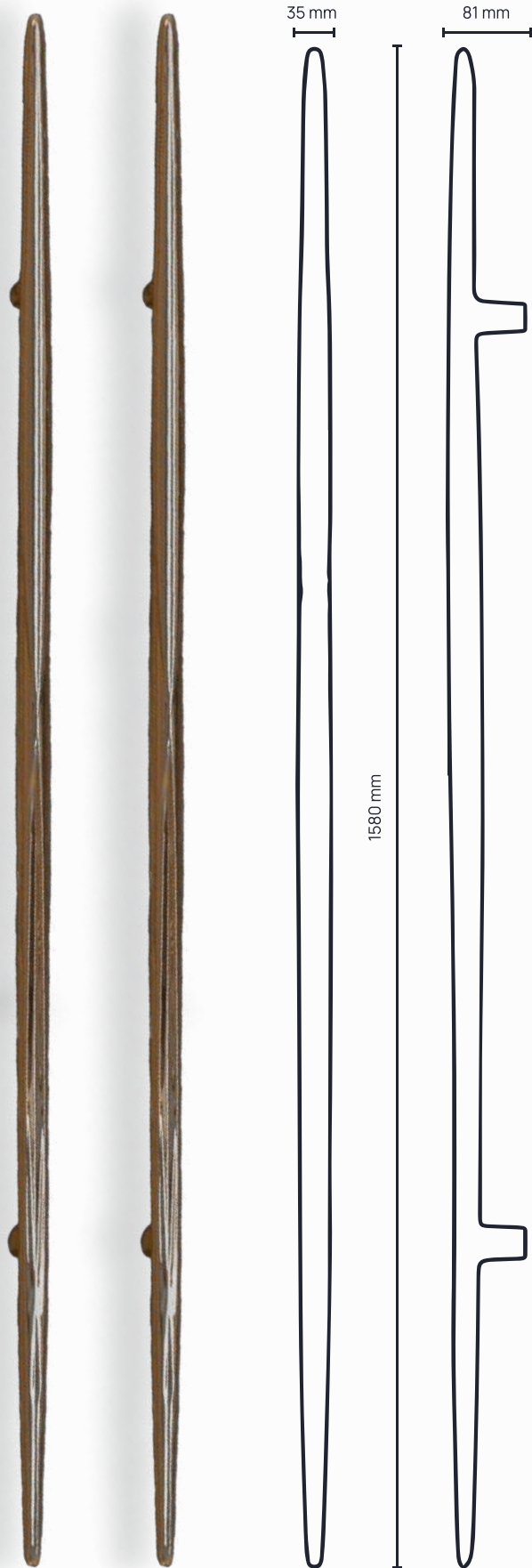
NAME	Miranda
REF. NUMBER	RP2
MATERIAL	Bronze
DIMENSIONS	
Height	1570 mm
Length	37 mm
Depth	92 mm
WEIGHT	7.8 kg



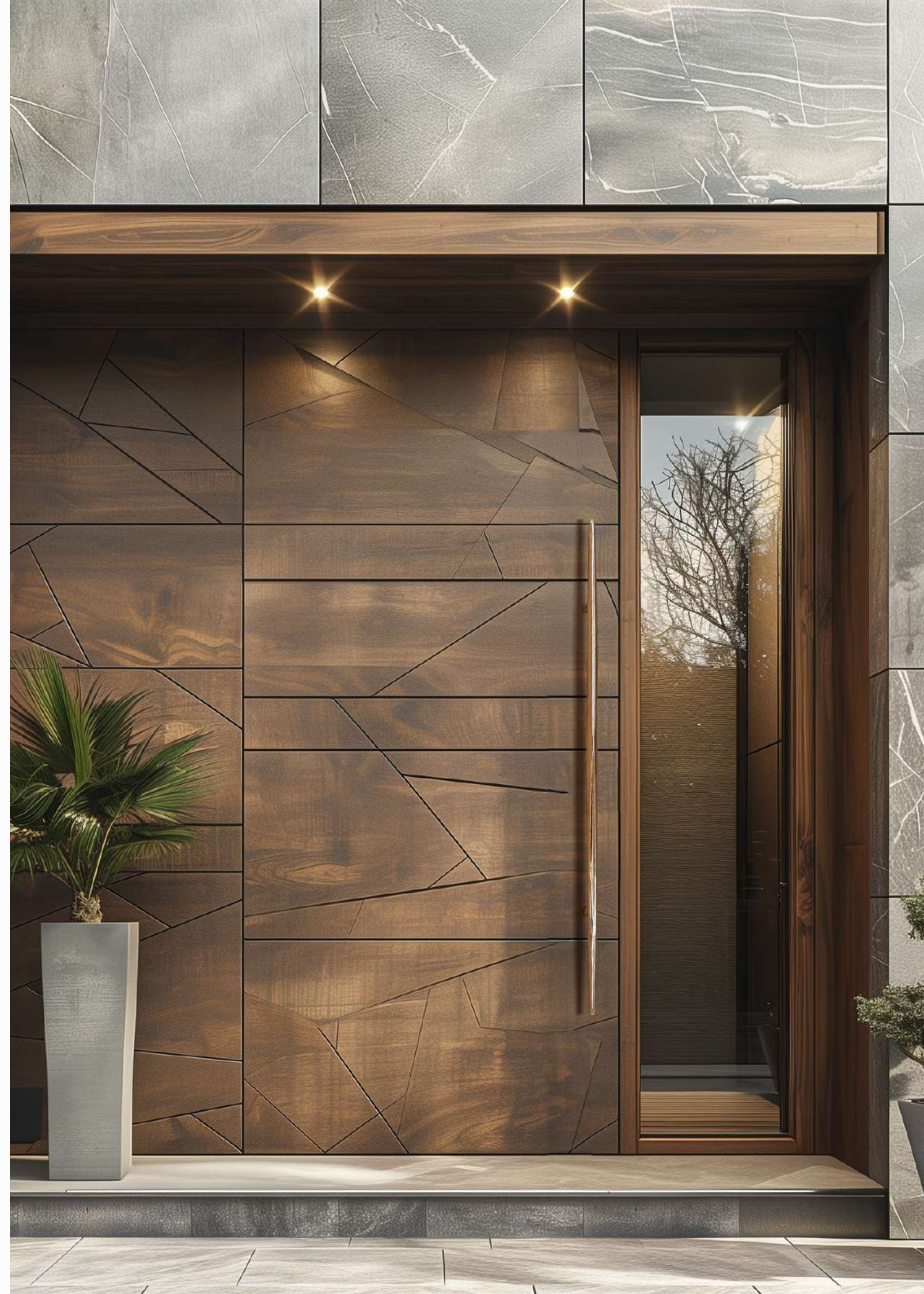


NAME	Sophiandropa
REF. NUMBER	RSI3
MATERIAL	Bronze
DIMENSIONS	
Height	1580 mm
Length	25 mm
Depth	85 mm
WEIGHT	5.7 kg





NAME	Louissandropa
REF. NUMBER	RSI6
MATERIAL	Bronze
DIMENSIONS	
Height	1580 mm
Length	35 mm
Depth	81 mm
WEIGHT	9.8 kg





NAME	Mirandropa
REF. NUMBER	RSI8
MATERIAL	Bronze
DIMENSIONS	
Height	1540 mm
Length	40 mm
Depth	92 mm
WEIGHT	9.1 kg

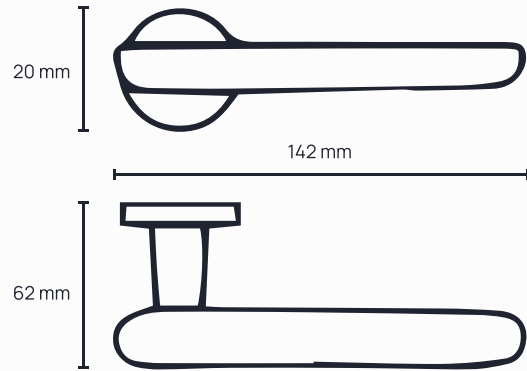




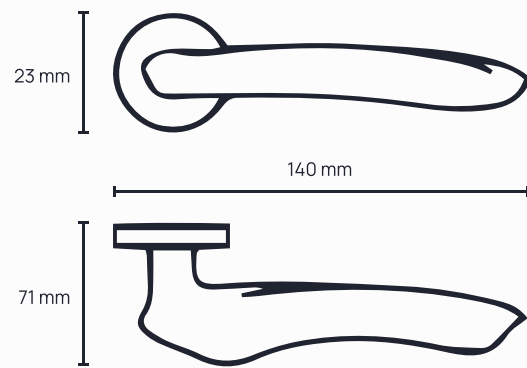
LEVA COLLECTION



NAME Canon
REF. NUMBER DRIV0
MATERIAL Bronze
DIMENSIONS
Height 20 mm
Length 142 mm
Depth 62 mm
WEIGHT 320 g

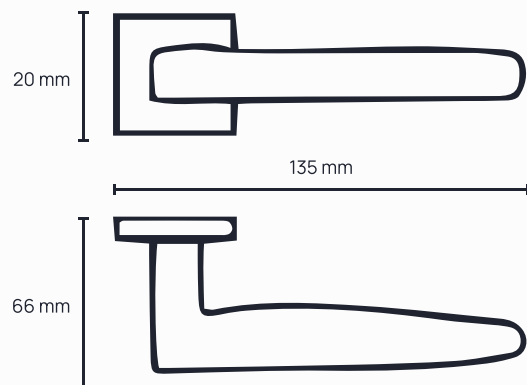


NAME Siren
REF. NUMBER DRIV1
MATERIAL Bronze
DIMENSIONS
Height 23 mm
Length 140 mm
Depth 71 mm
WEIGHT 390 g

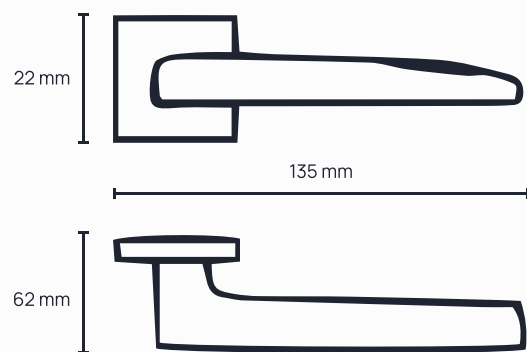




NAME Stiletto
REF. NUMBER DRIV2
MATERIAL Bronze
DIMENSIONS
Height 20 mm
Length 135 mm
Depth 66 mm
WEIGHT 400 g

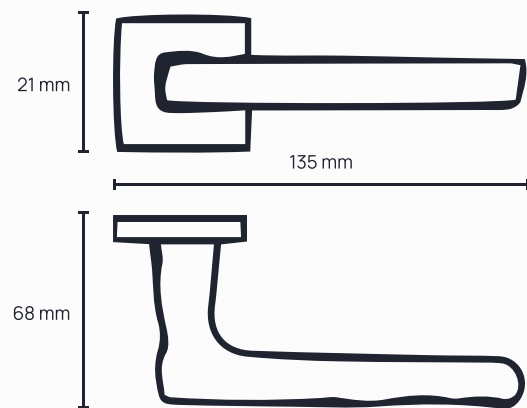


NAME Dexter
REF. NUMBER DRIV3
MATERIAL Bronze
DIMENSIONS
Height 22 mm
Length 135 mm
Depth 62 mm
WEIGHT 420 g

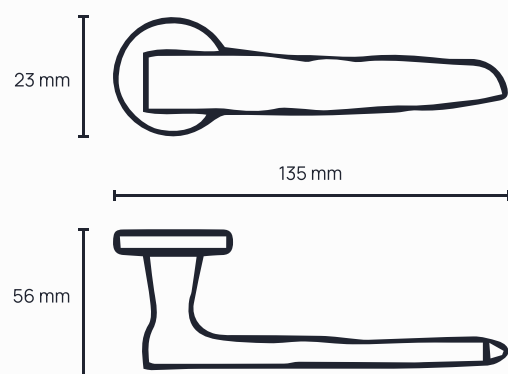




NAME Dolce
REF. NUMBER DRIV4
MATERIAL Bronze
DIMENSIONS
Height 21 mm
Length 135 mm
Depth 68 mm
WEIGHT 500 g

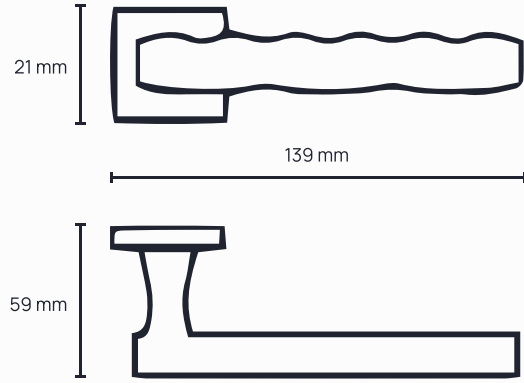


NAME Diva
REF. NUMBER DRIV5
MATERIAL Bronze
DIMENSIONS
Height 23 mm
Length 135 mm
Depth 56 mm
WEIGHT 240 g

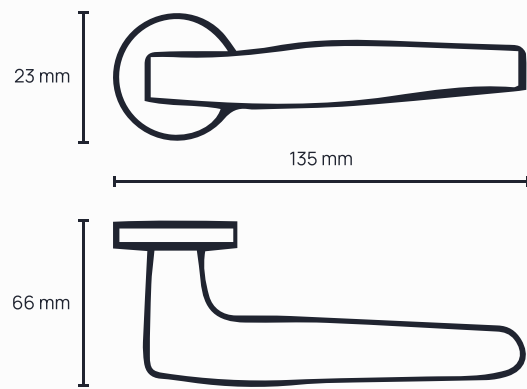




NAME Cuzi
REF. NUMBER DRIV6
MATERIAL Bronze
DIMENSIONS
Height 21 mm
Length 139 mm
Depth 59 mm
WEIGHT 370 g

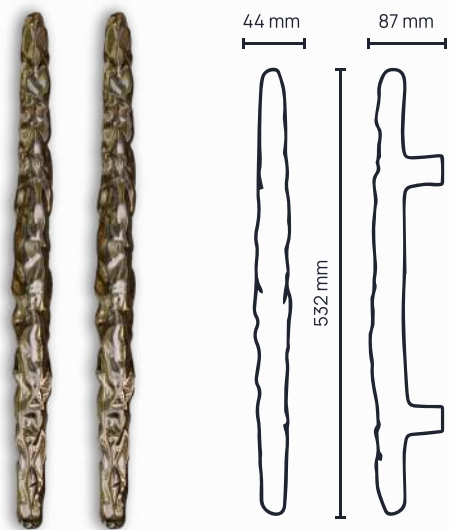


NAME Oracle
REF. NUMBER DRIV7
MATERIAL Bronze
DIMENSIONS
Height 23 mm
Length 135 mm
Depth 66 mm
WEIGHT 415 g

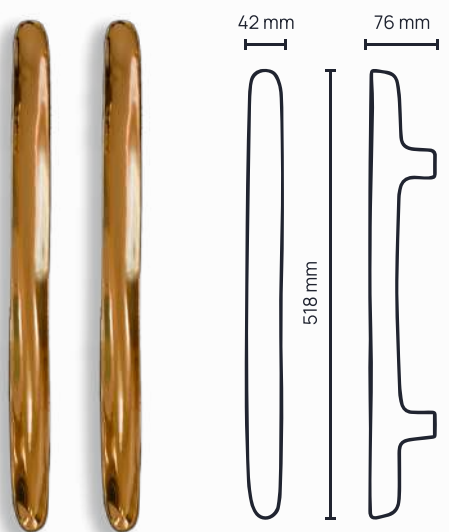




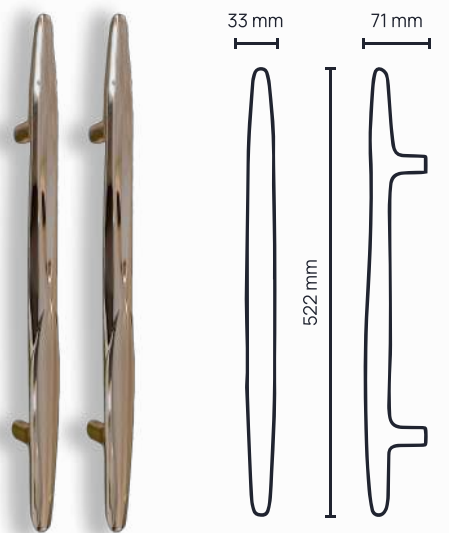
MAESTOSO COLLECTION



NAME Hypnos
REF. NUMBER RM13
MATERIAL Bronze
DIMENSIONS
 Height 532 mm
 Length 44 mm
 Depth 87 mm
WEIGHT 4.8 kg



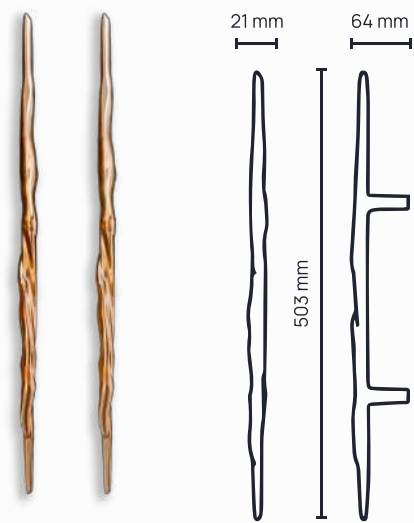
NAME Hera
REF. NUMBER RM10
MATERIAL Bronze
DIMENSIONS
 Height 518 mm
 Length 42 mm
 Depth 76 mm
WEIGHT 4.8 kg



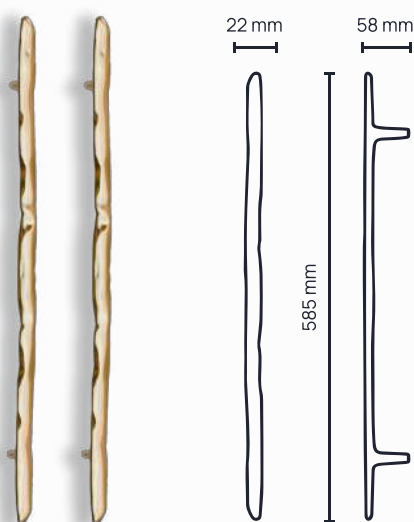
NAME Demeter
REF. NUMBER RSI7
MATERIAL Bronze
DIMENSIONS
 Height 522 mm
 Length 33 mm
 Depth 71 mm
WEIGHT 2.8 kg



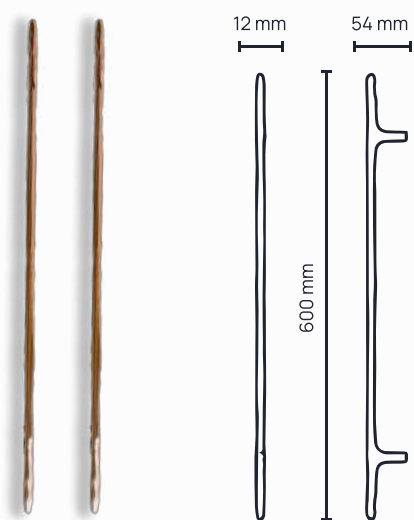




NAME Pallas
REF. NUMBER RSI11
MATERIAL Bronze
DIMENSIONS
 Height 503 mm
 Length 21 mm
 Depth 64 mm
WEIGHT 773 g



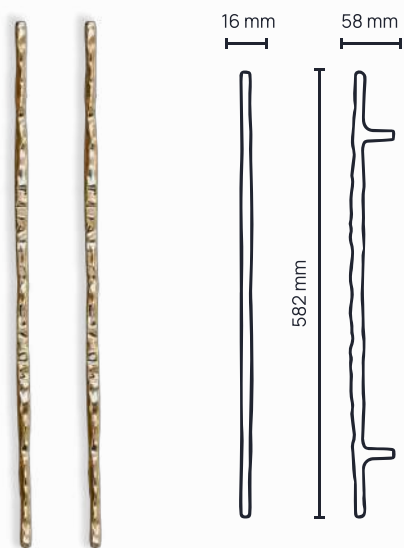
NAME Selene
REF. NUMBER RSI15
MATERIAL Bronze
DIMENSIONS
 Height 585 mm
 Length 22 mm
 Depth 58 mm
WEIGHT 871 g



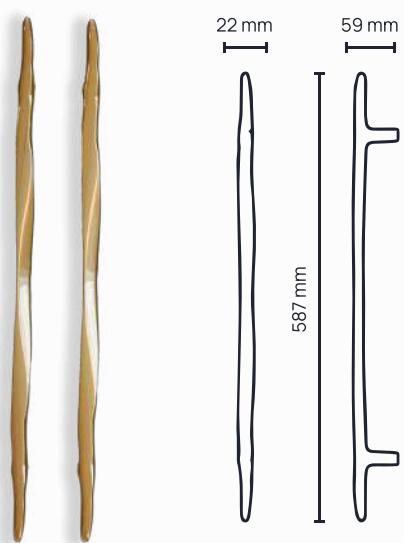
NAME Juno
REF. NUMBER RSI14
MATERIAL Bronze
DIMENSIONS
 Height 600 mm
 Length 12 mm
 Depth 54 mm
WEIGHT 507 g



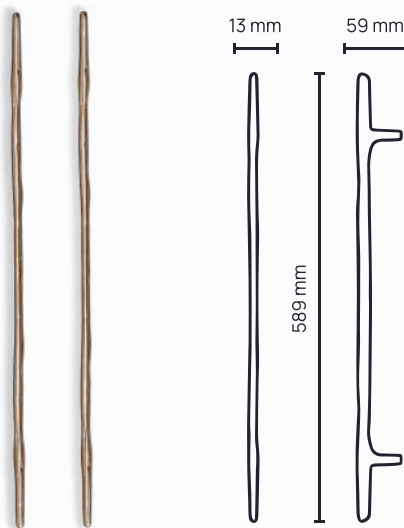




NAME Bacchus
REF. NUMBER RSI13
MATERIAL Bronze
DIMENSIONS
 Height 582 mm
 Length 16 mm
 Depth 58 mm
WEIGHT 862 g



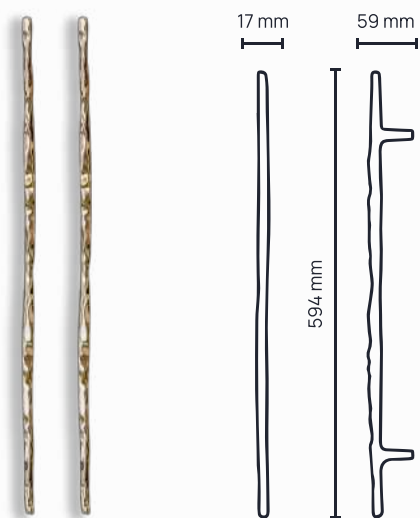
NAME Janus
REF. NUMBER RSI16
MATERIAL Bronze
DIMENSIONS
 Height 587 mm
 Length 22 mm
 Depth 59 mm
WEIGHT 1.1 kg



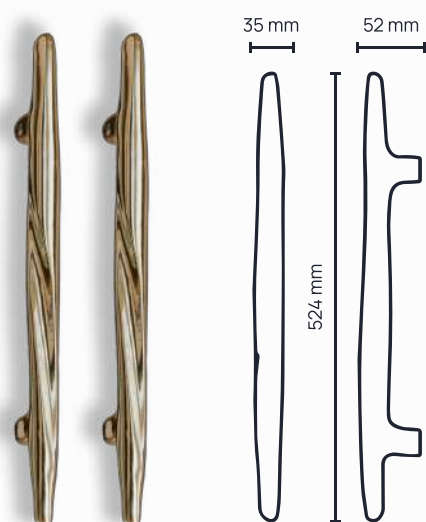
NAME Ceres
REF. NUMBER RSI12
MATERIAL Bronze
DIMENSIONS
 Height 589 mm
 Length 13 mm
 Depth 59 mm
WEIGHT 723 g



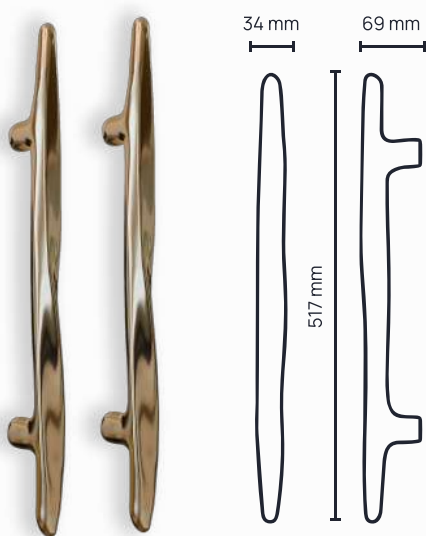




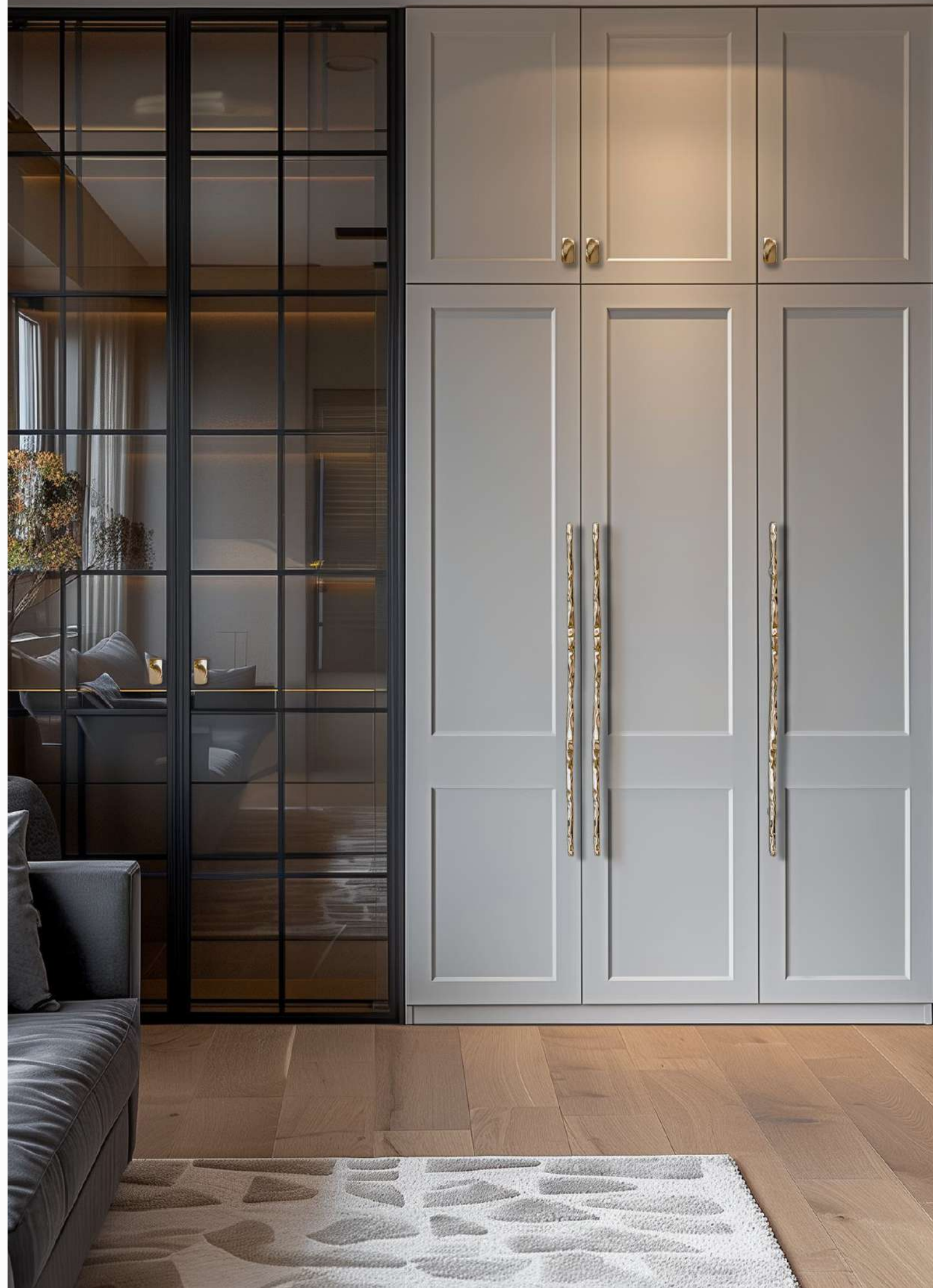
NAME Phobos
REF. NUMBER RS11
MATERIAL Bronze
DIMENSIONS
 Height 594 mm
 Length 17 mm
 Depth 59 mm
WEIGHT 847 g





NAME Castor
REF. NUMBER RM0
MATERIAL Bronze
DIMENSIONS
 Height 524 mm
 Length 35 mm
 Depth 52 mm
WEIGHT 3.4 kg



NAME Nyx
REF. NUMBER RM14
MATERIAL Bronze
DIMENSIONS
 Height 517 mm
 Length 34 mm
 Depth 69 mm
WEIGHT 2.9 kg





www.bronzamo.com
hello@bronzamo.com
 +357 25 123 919
 @bronzamo

BRONZAMO Limited
Spyrou Kyprianou Ave 22, 3rd floor
3070 Limassol, Cyprus
VAT: 60035597N