



PRODUCT SHEET

L.A.F. COUNTER

DESIGN BY

Geke Lensink / Jesse Visser

DESCRIPTION

This counter chair has a clear design and is very suitable for reception desks, libraries and cashiers.

The L.A.F. Counter is a mobile chair and has a height-adjustable swivel base (extra high reach), which instantly makes the chair functional. The chair also has a footrest.

MATERIALS

base: coated aluminum

seat: polyurethane (PU)

CLEANING INSTRUCTIONS

coated aluminum:

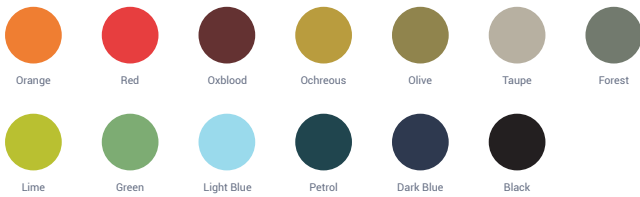
Dust with a soft, dry cloth or clean with soapy water. Can be moistured slightly with spiritus. Treat once a year with acidfree vaseline.

Coated matt chrome; superficial scratches on these casted aluminium feet can be removed with soapy water in combination with scotch brite. Always work in the polishing-direction.

PU:

Clean the soiled area with mild soap and water then rinse with fresh water and wipe dry.

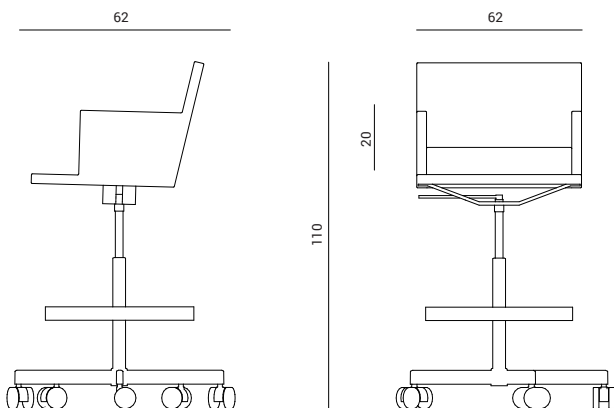
SEAT COLORS



BASE COLORS



TECHNICAL DETAILS



NOTE

"Create your own" and download at our 3D configurator.