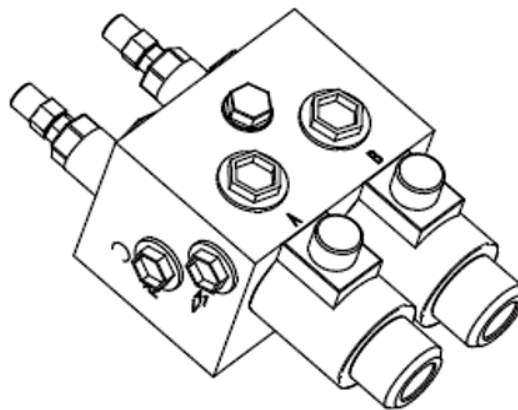
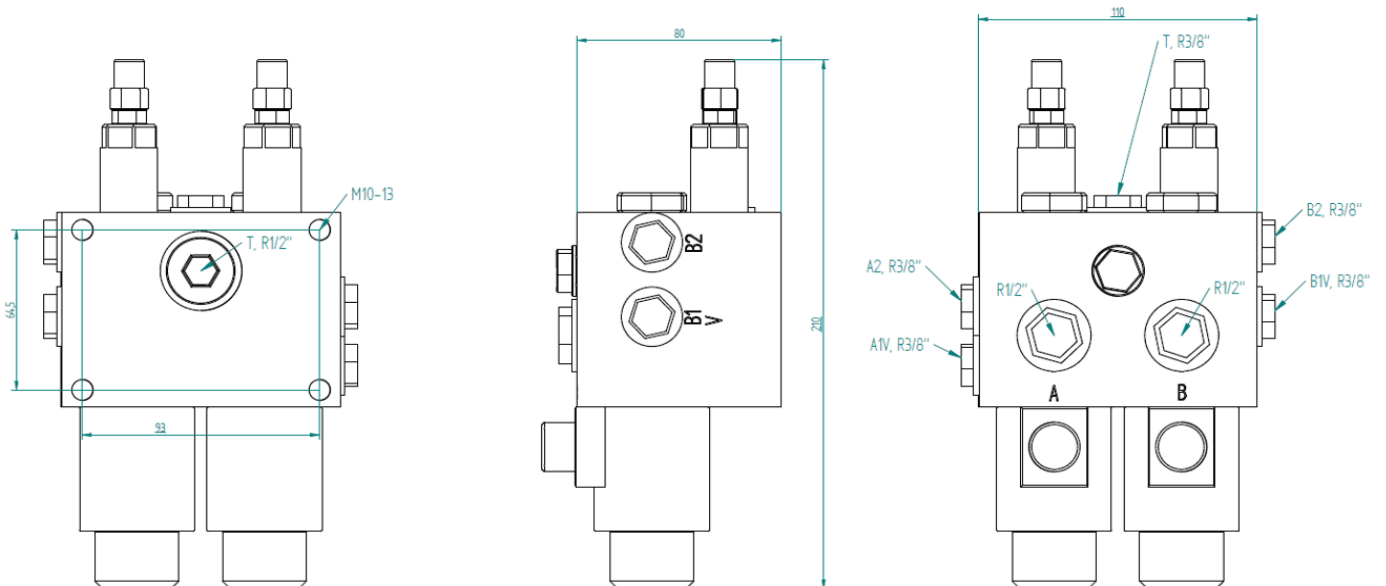
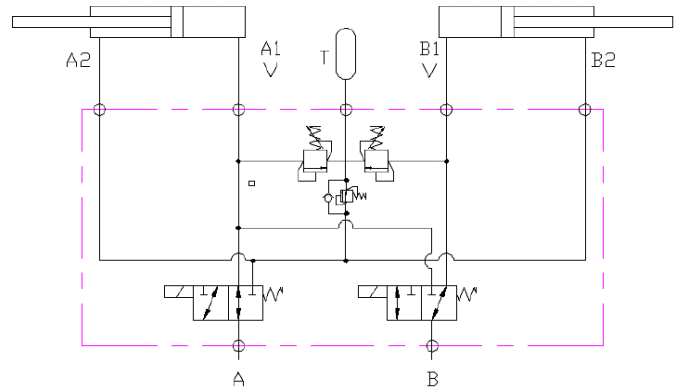


Solenoid controlled 3/2-2 directional valve with two solenoids

- connection R1/2" ja R3/8"
- voltage 12VDC or 24VDC (30W)
- flow 60 l/min
- max. pressure 210 bar
- adjustable shock relief valves in ports A1 and B1
- fixed shock relief valve with inlet valve in port A2/B2
- T connection to pressure accumulator or tank



Piippo Hydraulic: Yrittäjätie 10, FI-74700 Kiuruvesi FINLAND phone +35817750500