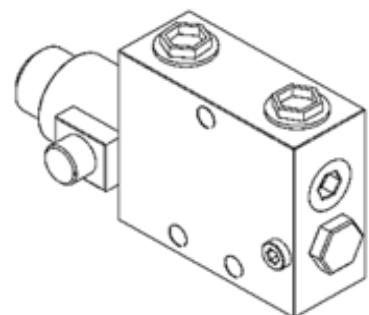
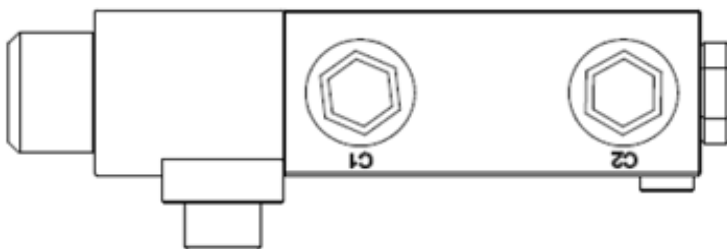
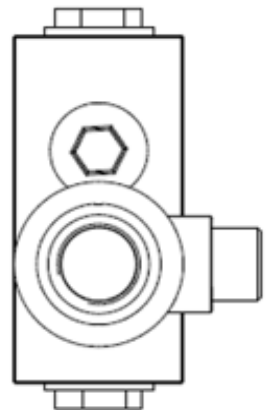
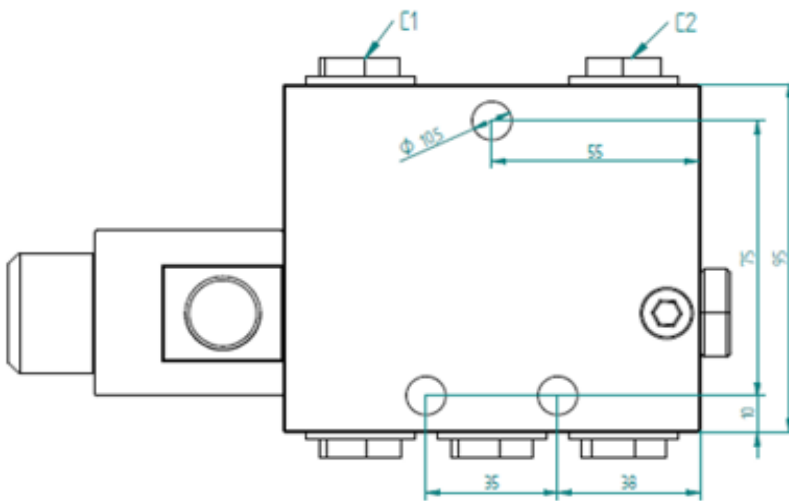
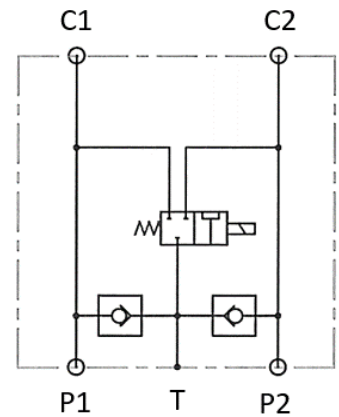
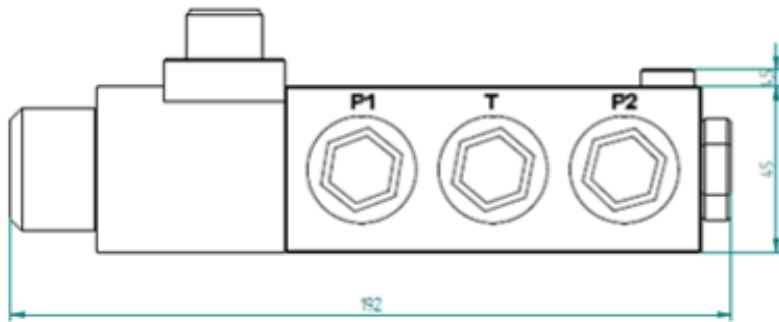


## Solenoid controlled 4/2 floating position valve, anticavitation

- connection R1/2"
- voltage 12VDC or 24VDC (30W)
- flow 75 l/min
- max. pressure 210 bar



Piippo Hydraulic: Yrittäjätie 10, FI-74700 Kiuruvesi FINLAND phone +35817750500