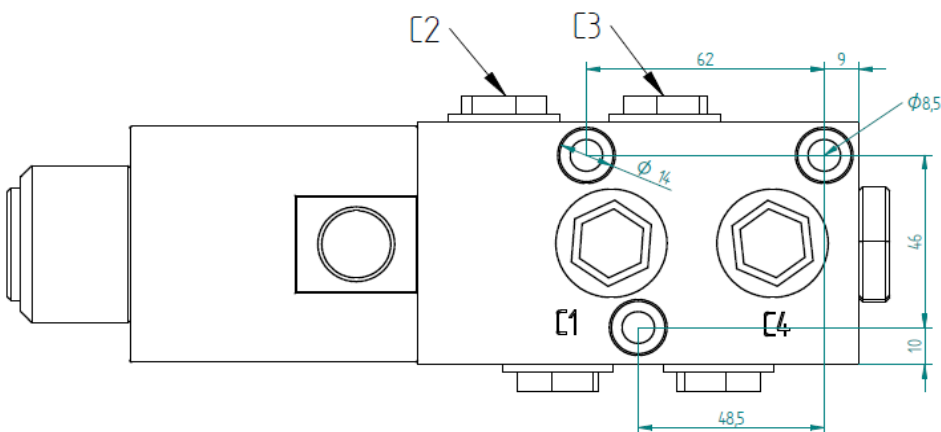
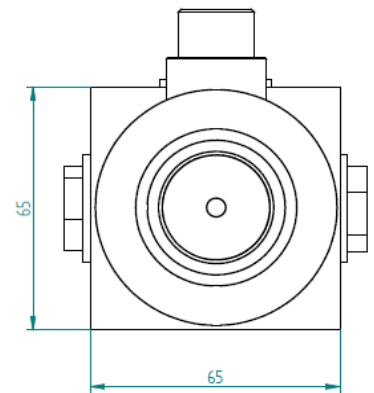
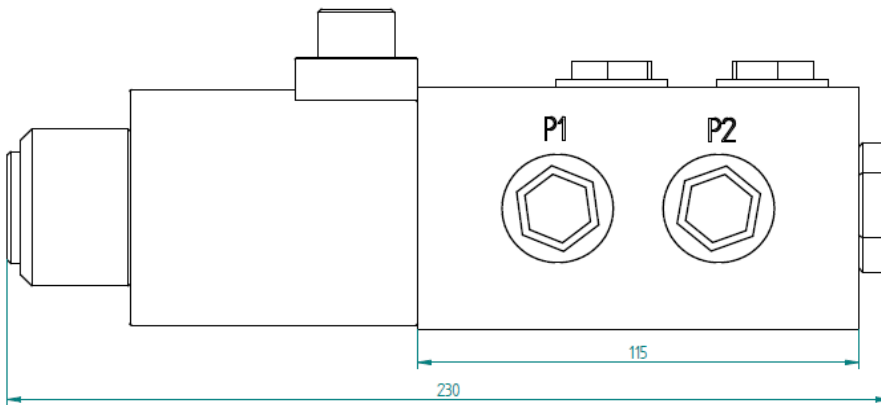
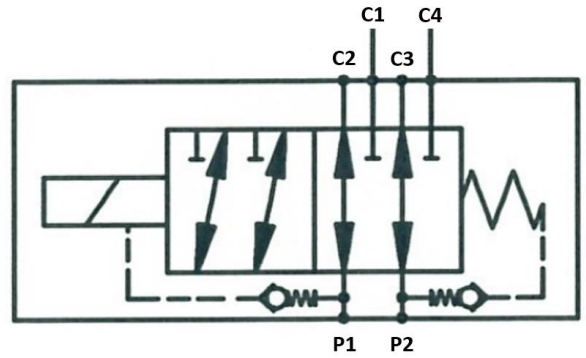


Solenoid controlled 6/2 directional valve 350 bar

- connection R1/2"
- voltage 12VDC or 24VDC (36W)
- flow 90 l/min
- max. pressure 350 bar
- closed intermediate position
- no tank line necessary



Piippo Hydraulic: Yrittäjätie 10, FI-74700 Kiuruvesi FINLAND phone +35817750500