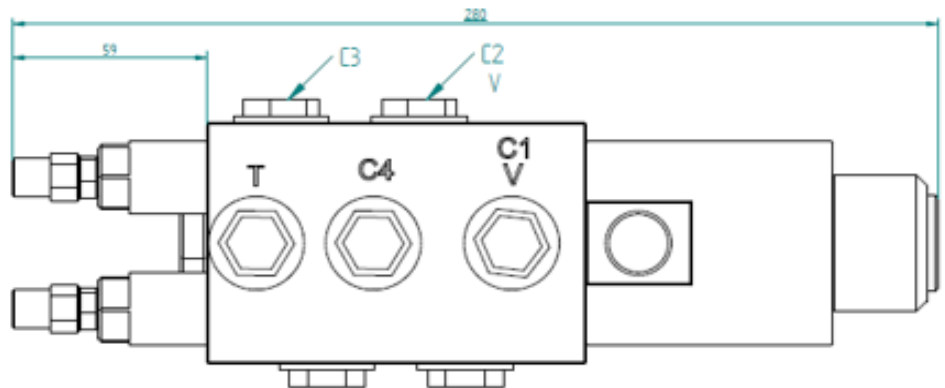
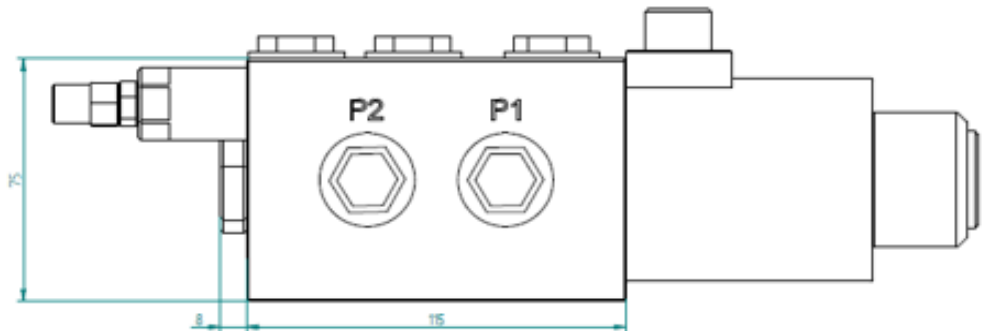
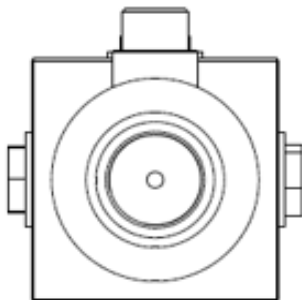
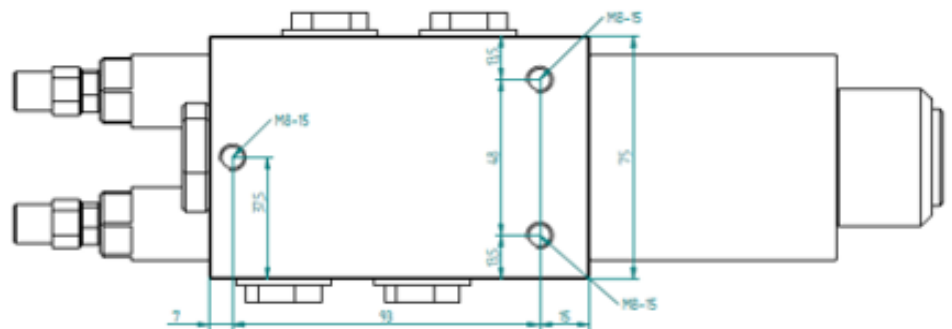
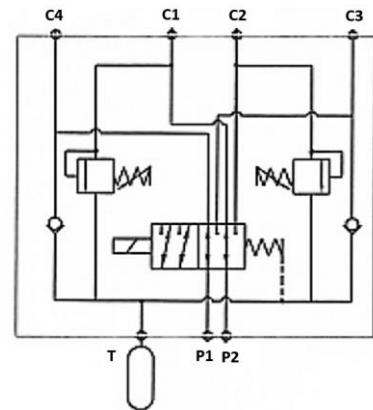


Solenoid controlled 6/2 directional valve

- connection R1/2"
- voltage 12VDC or 24VDC (36W)
- flow 75 l/min
- max. pressure 210 bar
- adjustable shock relief valves in ports C1/C2
- inlet valves in ports C3/C4
- Pressure accumulator/tank port T



Piippo Hydraulic: Yrittäjätie 10, FI-74700 Kiuruvesi FINLAND phone +35817750500