

Snow plough valve for U and Zoom blades

- connection R3/8", (T, P1, P2 R1/2")
- voltage 12VDC or 24VDC
- flow 50 l/min
- max. pressure 210 bar
- adjustable shock relief valves V-C5 and V-C8 (diagonal operation)
- adjustable shock relief valves V-C1 and V-C2 (wings, piston side)
- fixed shock relief valves V-C3 and V-C4 (wings, piston rod side)
- T connection to pressure accumulator or tank

Assembly instructions:

Left wing cylinder

- outgoing connection to piston side C2+
- outgoing connection to rod side C3-

Left turning cylinder

- outgoing connection on the piston side C8+
- Connecting hose between turning cylinders

Right wing cylinder

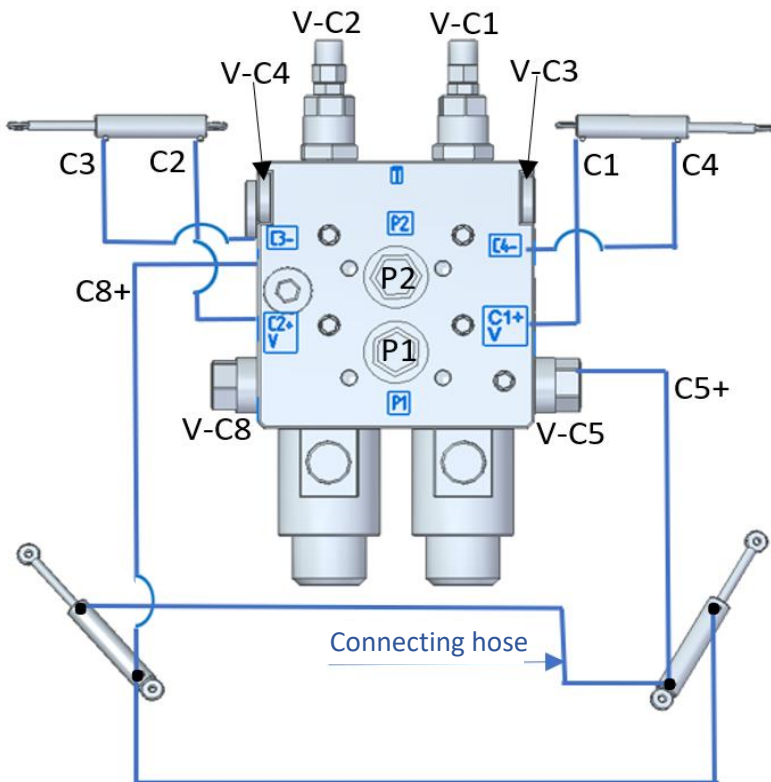
- outgoing connection to piston side C1+
- outgoing connection to rod side C4-

Right turning cylinder

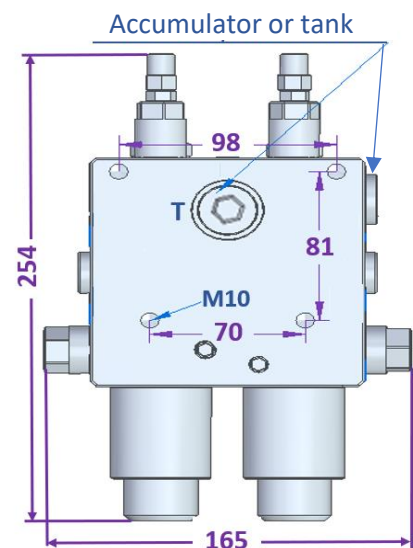
- outgoing connection on the piston side C5+

Incoming pressure: P1 and P2

Tank- or pressure accumulator: T



PATENT PENDING



Functions:

- Power off -> Turning cylinders in operation
- Power on left coil -> Left wing in operation
- Power on right coil -> Right wing in operation
- Power on both coils -> Wings simultaneously in or out (wings connected in parallel without flow distribution)

Piippo Hydraulic: Yrittäjätie 10, 74700 Kiuruvesi FINLAND tel. +35817750500