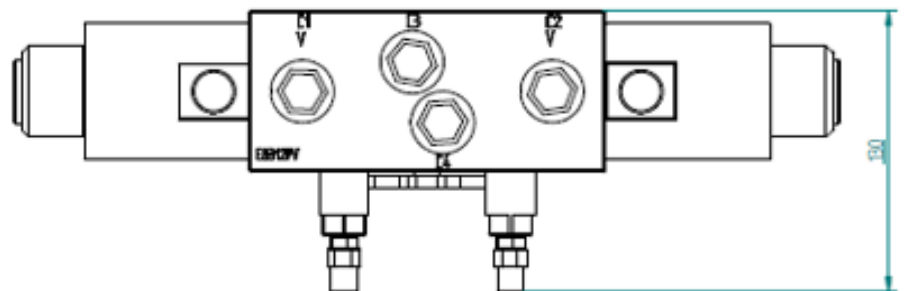
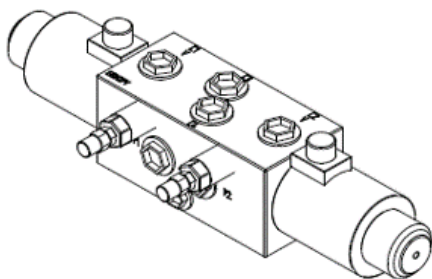
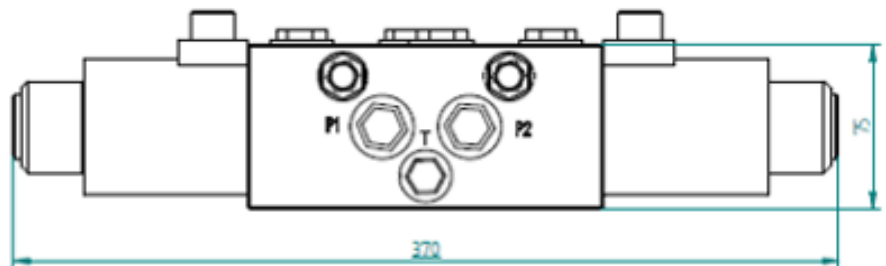
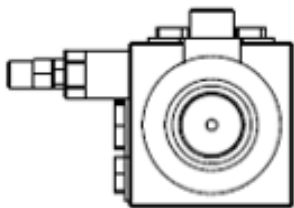
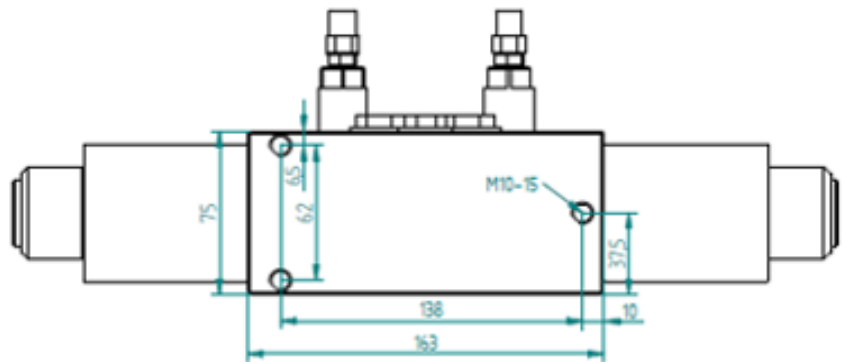
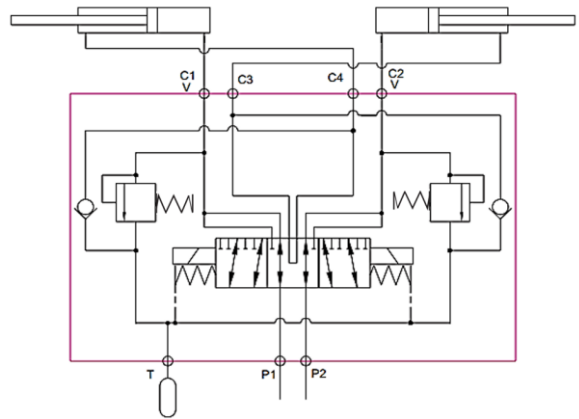


## Solenoid controlled 8/3 directional valve

- connection R1/2"
- voltage 12VDC or 24VDC (36W)
- flow 75 l/min
- max. pressure 210 bar
- adjustable shock relief valves in ports C1 and C2
- inlet valves in ports C3 and C4
- tank/pressure accumulator connection T



Piippo Hydraulic: Yrittäjätie 10, 74700 Kiuruvesi FINLAND tel. +35817750500